

ITEM NO.	PART NUMBER	DESCRIPTION	QTY.
1	HH-003-P-1-11141	Base	1
2	PCB Sample	Not Included	1
3	DM-004-P-1-11138	Cover	1
4	A-635-0-0-M-0-11100	2,9 x 9,5 mm YHB SC Metallic Screw	2

PROPRIETARY AND CONFIDENTIAL  
 THE INFORMATION CONTAINED IN THIS  
 DRAWING IS THE SOLE PROPERTY OF  
 ALTINKAYA ENCLOSURES. ANY  
 REPRODUCTION IN PART OR AS A WHOLE  
 WITHOUT THE WRITTEN PERMISSION OF  
 ALTINKAYA ENCLOSURES IS PROHIBITED.

ARTICLE NO: \_\_\_\_\_ REVISION: \_\_\_\_\_



CONTACT:  
[www.altinkaya.com.tr](http://www.altinkaya.com.tr)

	NAME	DATE
DRAWN	Dursun Dagdemir	12.12.07
CHECKED	Ali Altinçik	12.12.07

TITLE:  
**Hand Held Enclosure**

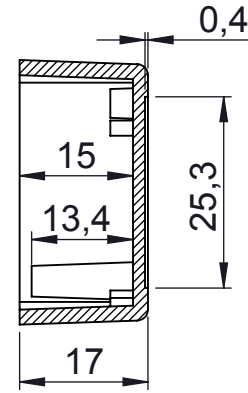
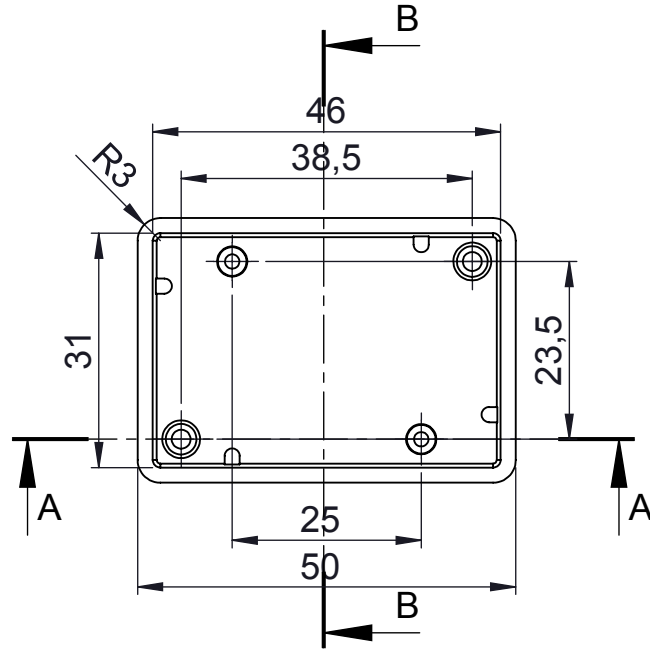
MATERIAL:

DWG NO: **HH-004-0-0-11216** A3

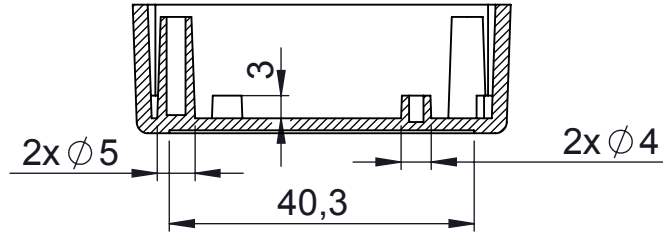
WEIGHT:

SCALE: 3:1 SHEET 1 OF 1

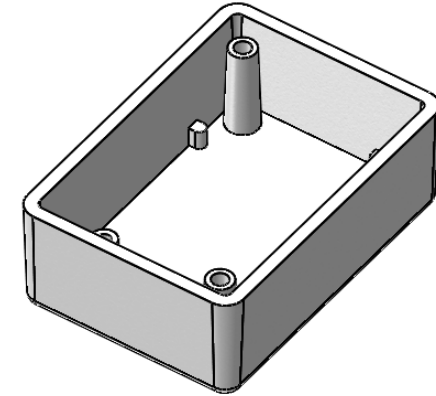





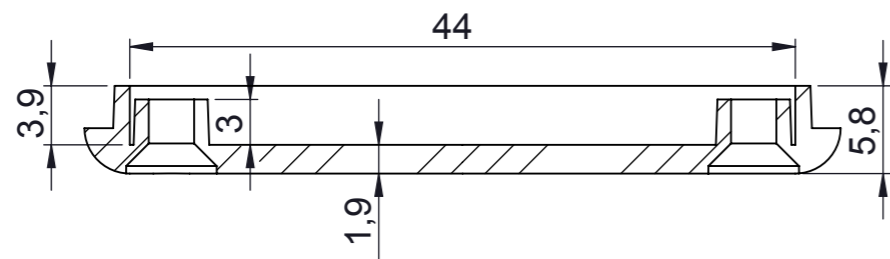
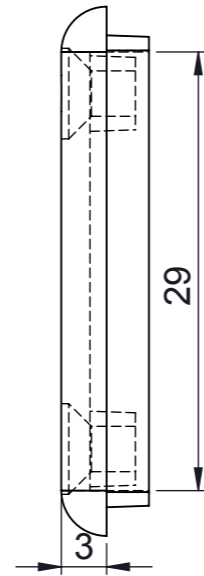
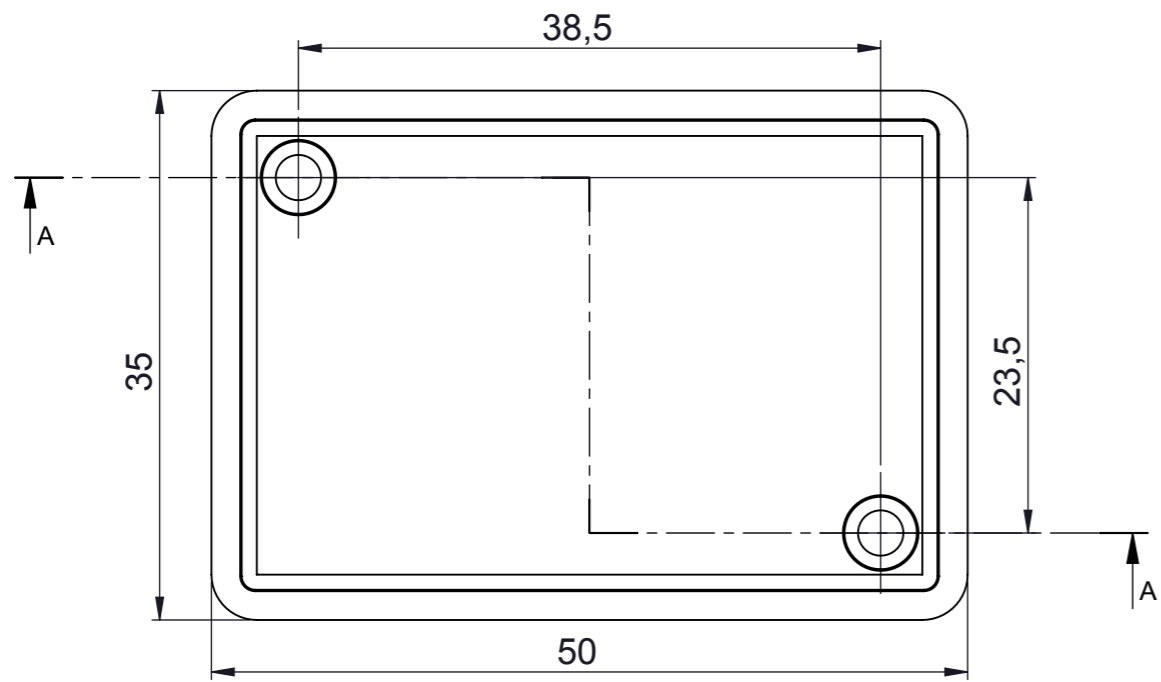
SECTION B-B



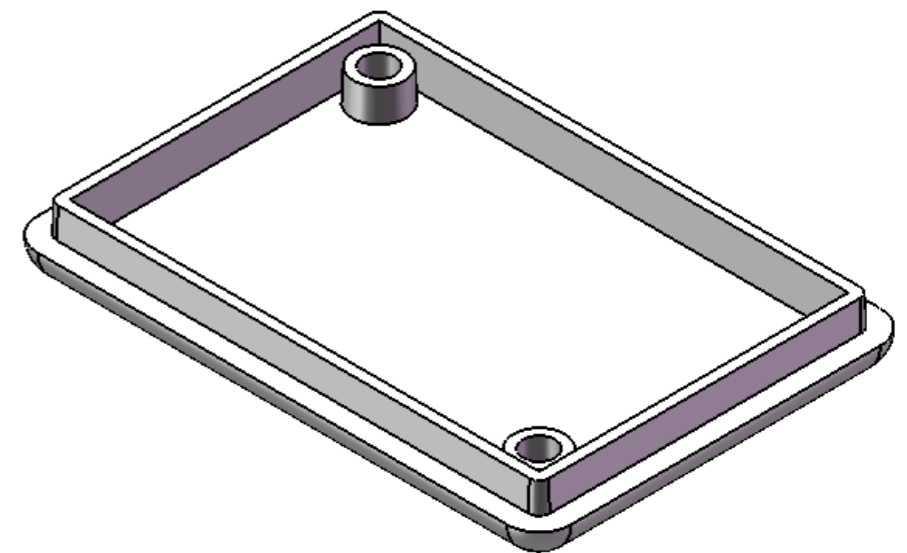
SECTION A-A




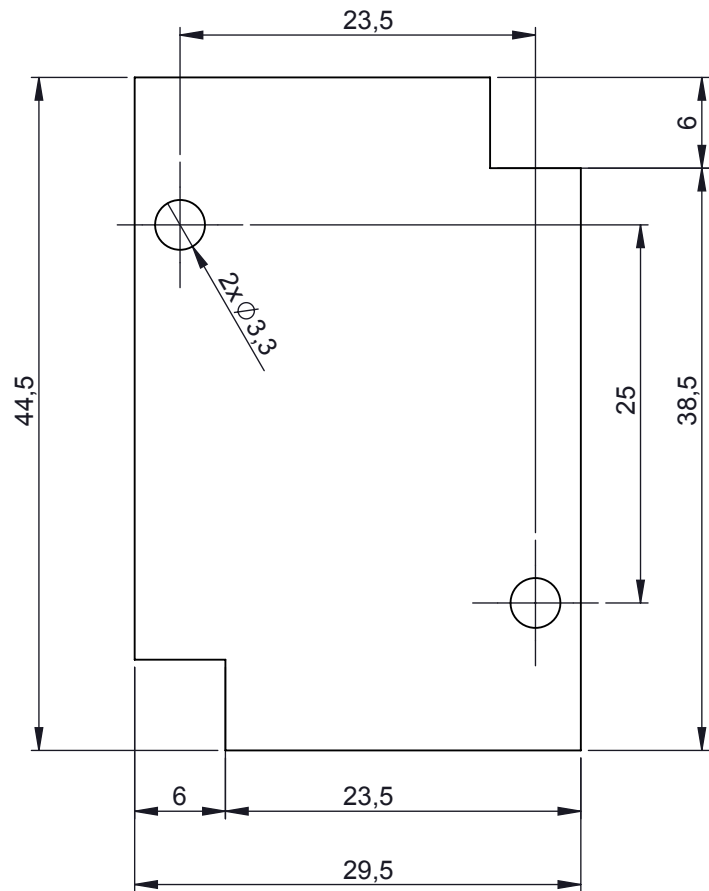
NAME	DATE	ARTICLE NO:	REVISION:	TITLE:
DRAWN	Dursun Dağdemir	12.12.07		Cover
CHECKED	Ali Altınışık	12.12.07		
 ENCLOSURES FOR ELECTRONICS <a href="http://www.altinkaya.com.tr">www.altinkaya.com.tr</a>				COMMENTS: This drawing is subject to technical modification without prior notice. Typographical and other errors do not justify any claims for damages. All dimensions should be verified using an actual produced part.
PROPRIETARY AND CONFIDENTIAL THE INFORMATION CONTAINED IN THIS DRAWING IS THE SOLE PROPERTY OF ALTINKAYA ENCLOSURES. ANY REPRODUCTION IN PART OR AS A WHOLE WITHOUT THE WRITTEN PERMISSION OF ALTINKAYA ENCLOSURES IS PROHIBITED.				
DİKKAT: BU RESİM VE ÜRÜN ÖNCEDEN HABER VERİLMEKSİZİN DEĞİŞTİREBİLİR. RESİM ÇİZİLRKEN HATASIZ OLMASINA ÇALIŞILMASINA RAĞMEN RESİMDE HATALAR BULUNABİLİR. RESİMDEKİ HATALARDAN DOLAYI OLUŞABİLECEK ZARARLAR İÇİN ALTINKAYA HİÇ BİR SORUMLULUK KABUL ETMEZ. BÜTÜN ÖLÇÜLER KULLANILMADAN ÖNCE ÜRETİLMİŞ GERÇEK NUMUNEDEN KONTROL EDİLMELİDİR.				DWG NO: <b>DM-004-P-1-11138</b>
MATERIAL:				A4
WEIGHT:				SCALE:1:1 SHEET 1 OF 1





SECTION A-A



<small>PROPRIETARY AND CONFIDENTIAL THE INFORMATION CONTAINED IN THIS DRAWING IS THE SOLE PROPERTY OF ALTINKAYA ENCLOSURES. ANY REPRODUCTION IN PART OR AS A WHOLE WITHOUT THE WRITTEN PERMISSION OF ALTINKAYA ENCLOSURES IS PROHIBITED.</small>		ARTICLE NO:	REVISION:
<small>DRAWN Dursun Daşdemir 12.12.07 CHECKED Ali Altınşık 12.12.07 COMMENTS:</small>		 <b>ALTINKAYA</b> ENCLOSURES FOR ELECTRONICS	CONTACT: <a href="http://www.altinkaya.com.tr">www.altinkaya.com.tr</a>
MATERIAL:		TITLE: <h1>Base</h1>	
WEIGHT:		DWG NO: <b>HH-003-P-1-11141</b>	A3
SCALE: 2:1		SHEET 1 OF 1	



	NAME	DATE	ARTICLE NO:	REVISION:	TITLE:
DRAWN	Dursun Daşdemir	12.12.07			<h1>Not Included</h1>
CHECKED	Ali Altınışık	12.12.07			
 <b>www.altinkaya.com.tr</b>			COMMENTS: DIMENSIONS ARE IN MILLIMETERS, DEBUR AND BREAK SHARP EDGES		
<b>PROPRIETARY AND CONFIDENTIAL</b> <small>THE INFORMATION CONTAINED IN THIS DRAWING IS THE SOLE PROPERTY OF ALTINKAYA ENCLOSURES. ANY REPRODUCTION IN PART OR AS A WHOLE WITHOUT THE WRITTEN PERMISSION OF ALTINKAYA ENCLOSURES IS PROHIBITED.</small>			<b>MATERIAL:</b>		DWG NO. <b>PCB Sample</b>
			<b>WEIGHT:</b>		A4
			<b>SCALE:2:1</b>		
			<b>SHEET 1 OF 1</b>		