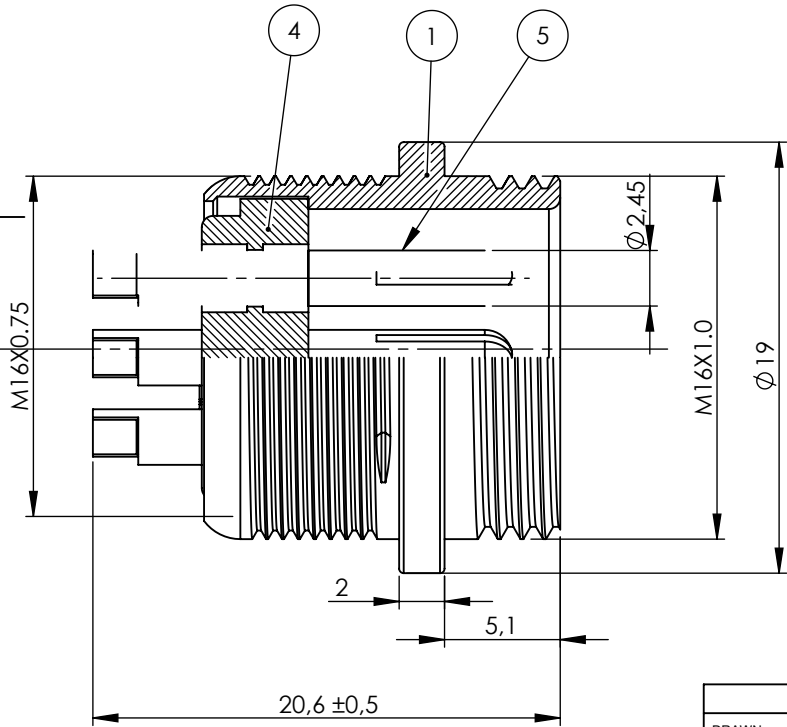
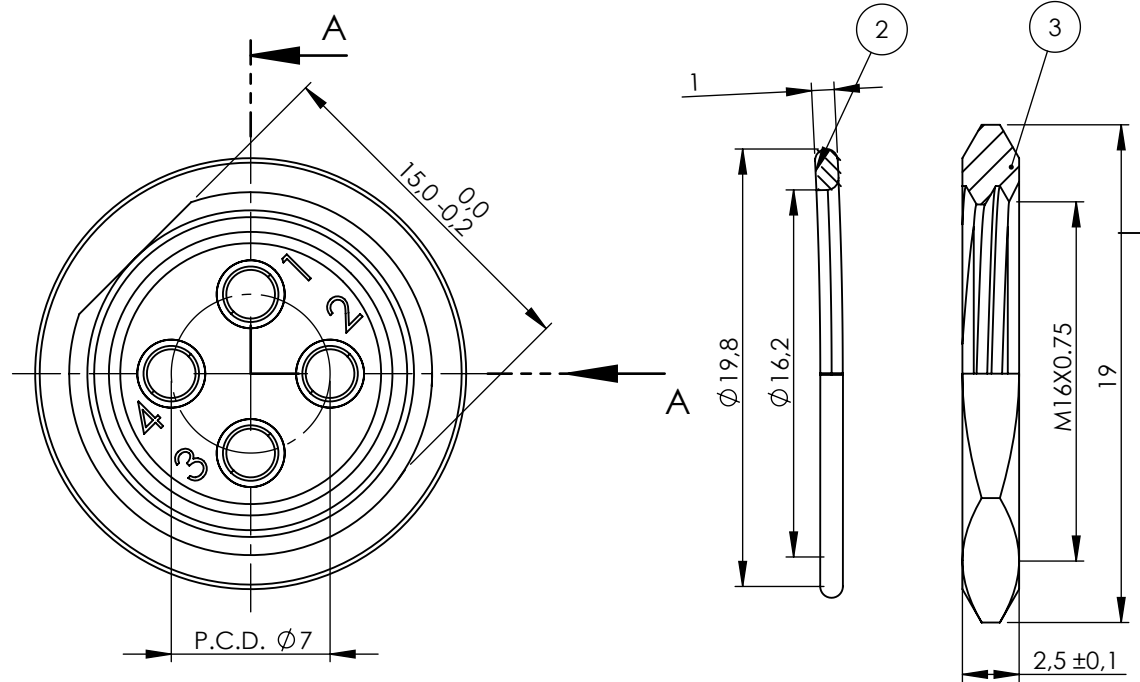



NO	PAT. NO	NAME	MATL	QTY	TREAT	REMARK
1	M-1602-RA	BODY	Zn ALLOY	1	M-Ni	---
2	M-1602-RE-R	SPRING WASHER	SUP3	1	M-Ni	---
3	M-1602-RD-R	NUT	COPPER ALLOY	1	M-Ni	---
4	M-1604-RLB-R	INSULATOR	BAKELITE	1	---	---
5	M-1602-RD-R	CONTACT	COPPER ALLOY	4	M-Ni	---

NO	ELECTRICAL CHARACTERISTICS	
1	Rated Current/voltage	5A 125V
2	Operation limit voltage (AC.V.rms)	200
3	Withstanding voltage (AC.V.rms) 1 minute	1000
4	Insulation resistance (MΩ MIN.) at DC 500V	1000
5	Contact resistance (mΩ MAX.) at DC 1A	15



SECTION A-A



NAME	DATE	ARTICLE NO:	REVISION:	TITLE:
DRAWN	Halit Yılmaz			
CHECKED	Ahmet Altınışık			
 www.altinkaya.com.tr		COMMENTS: This drawing is subject to technical modification without prior notice. Typographical and other errors do not justify any claims for damages. All dimensions should be verified using an actual produced part.		
PROPRIETARY AND CONFIDENTIAL THE INFORMATION CONTAINED IN THIS DRAWING IS THE SOLE PROPERTY OF ALTINKAYA ENCLOSURES. ANY REPRODUCTION IN PART OR AS A WHOLE WITHOUT THE WRITTEN PERMISSION OF ALTINKAYA ENCLOSURES IS PROHIBITED.		DİKKAT: BU RESİM VE ÜRÜN ÖNCEDEN HABER VERİLMEKSİZİN DEĞİŞTİRİLEBİLİR. RESİM ÇİZİLİRKEN HATASIZ OLMASINA ÇALIŞILMASINA RAĞMEN RESİMDE HATALAR BULUNABİLİR. RESİMDEKİ HATALARDAN DOLAYI OLUŞABİLECEK ZARARLAR İÇİN ALTINKAYA HİÇ BİR SORUMLULUK KABUL ETMEZ. BÜTÜN ÖLÇÜLER KULLANILMADAN ÖNCE ÜRETİLMİŞ GERÇEK NUMUNEDEN KONTROL EDİLMELİDİR.		
MATERIAL:		DWG NO: PLT-164-R-R		
WEIGHT:		SCALE:3:1		
SHEET 1 OF 1		A4		

