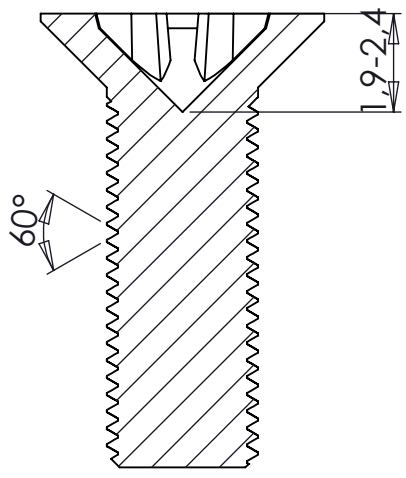
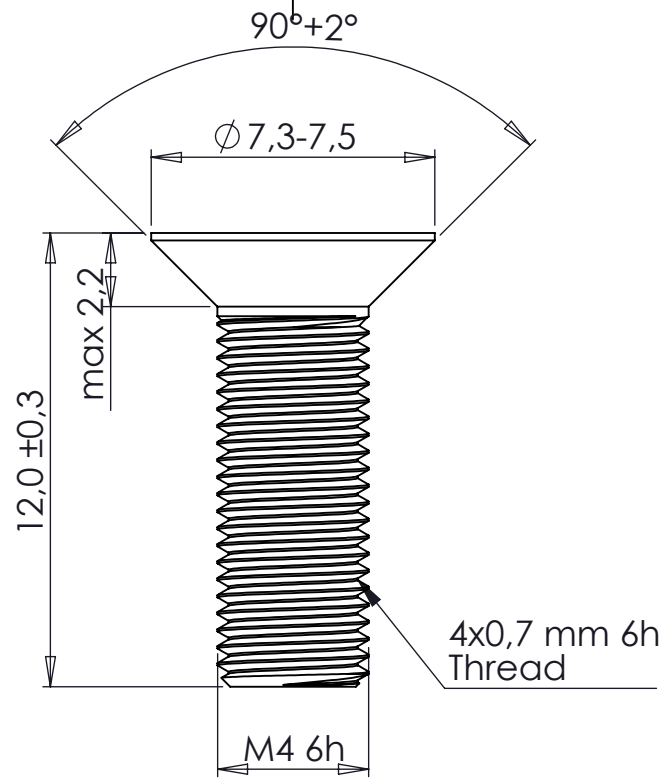
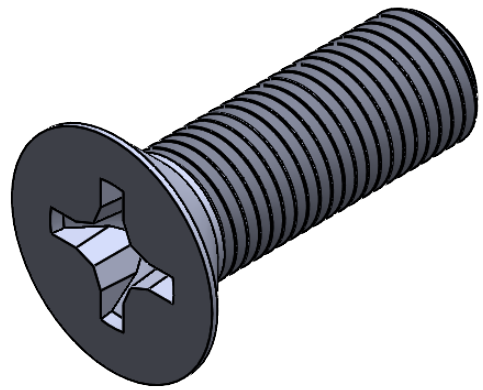
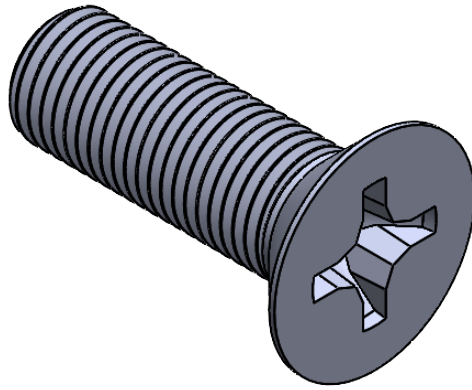


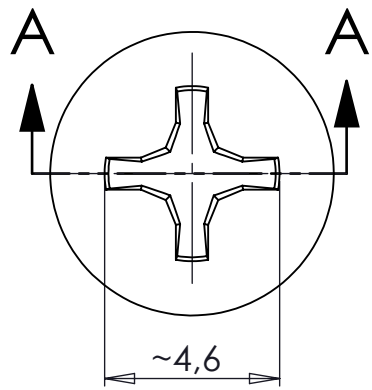
1 2 3 4 5 6

A


A



KESIT A-A



PH2

|   |       |   |  |
|---|-------|---|--|
| REV. NO   | DATE  | REVISED BY                              | DESCRIPTION OF CHANGE                                    |
|  |       |   | <a href="http://www.altinkaya.com">www.altinkaya.com</a> |
| Customer Name:  |       | Customer Ref.:                          |  |
| Altinkaya Ref.: VD-440-12-0-M-C   |       | Part Name : M4x12 mm YHB Metallic Screw |  |
| NAME  |       | DATE                                    | Drawn From:  |
| DRAWN S.YESILOZ   |       | 20.02.2025                              | Material : Metallic A2F Cr+3 over 20Mn-B4                |
| CHECKED   | Y.YEL | 20.02.2025                              | WEIGHT: 1.21 g   |
| DIMENSIONAL TOLERANCES UNLESS OTHERWISE SPECIFIED (DIN7168)                           |       | 0.5-3mm                                 | 3-6mm  |
|   |       | 6-30mm                                  | 30-120mm   |
|   |       | 120-400mm                               | Dimension (mm)   |
|   |       | ±0,1                                    | ±0,1   |
|   |       | ±0,2                                    | ±0,3   |
|   |       | ±0,5                                    | m (medium)   |
|   |       | UNIT : mm                               |  |
|   |       | SCALE:5:1                               |  |
|   |       | SHEET 1 OF 1                            |  |

A4

1 2 3 4 5 6

D

D

B

B

A

A