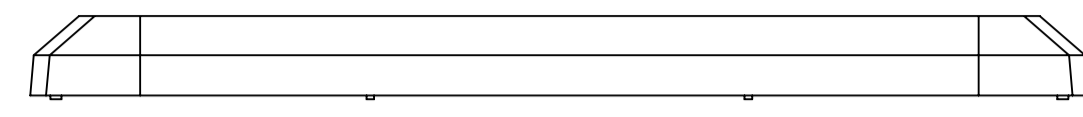
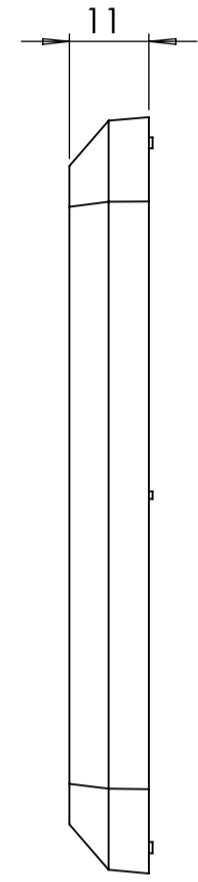


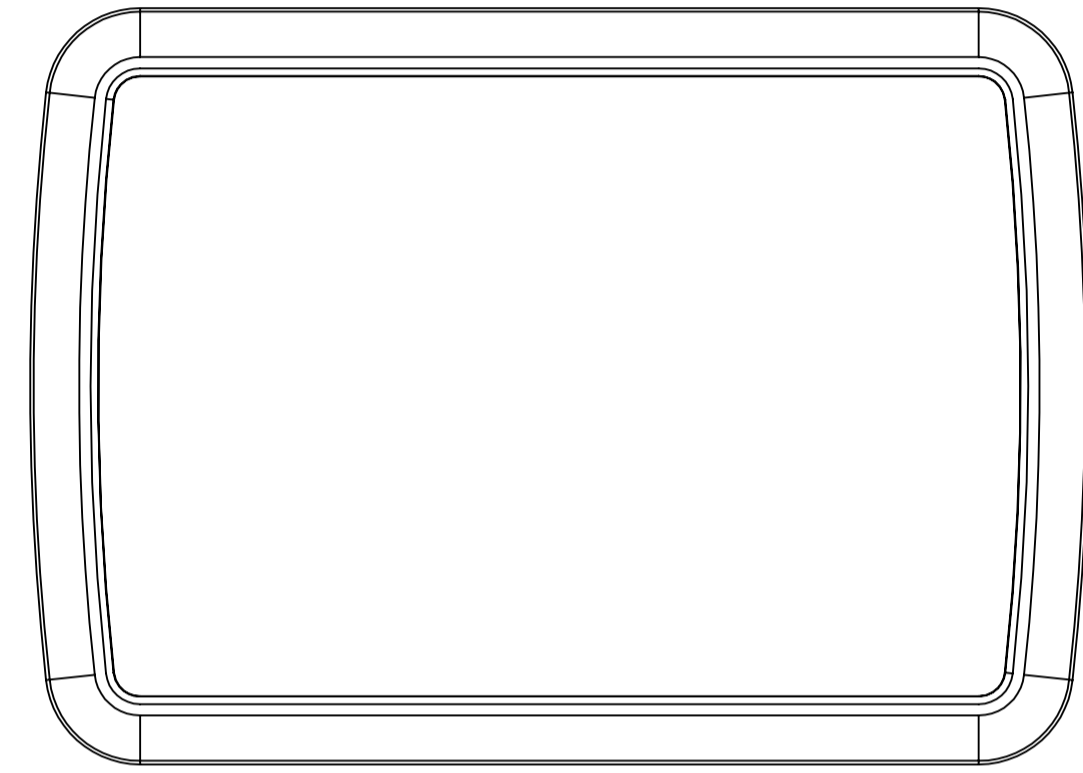
BASE: 6 SURFACE



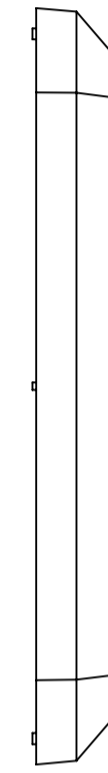
SURFACE-1



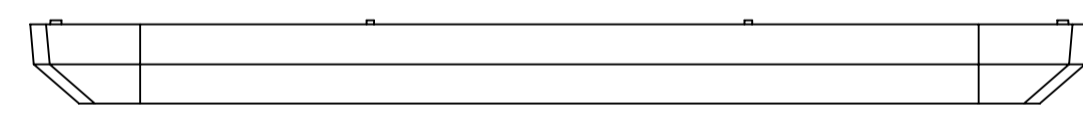
SURFACE-3



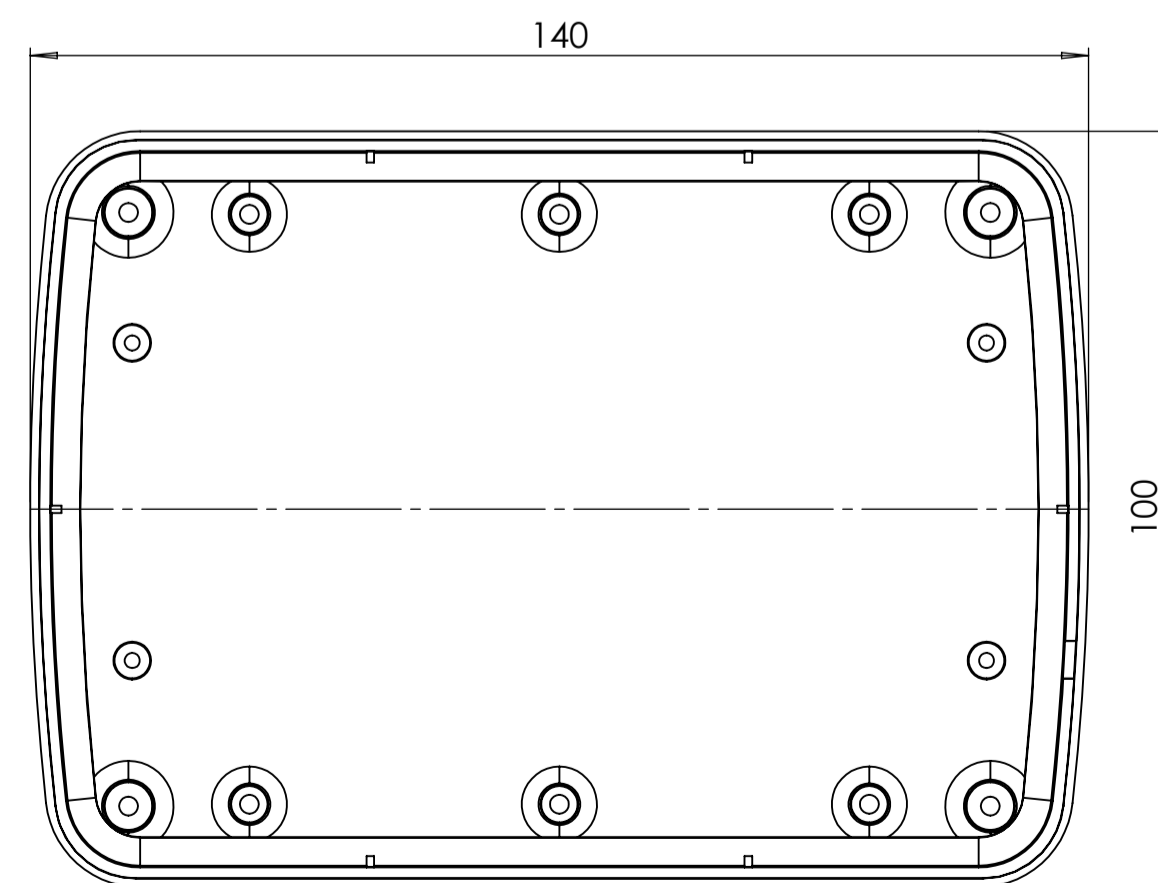
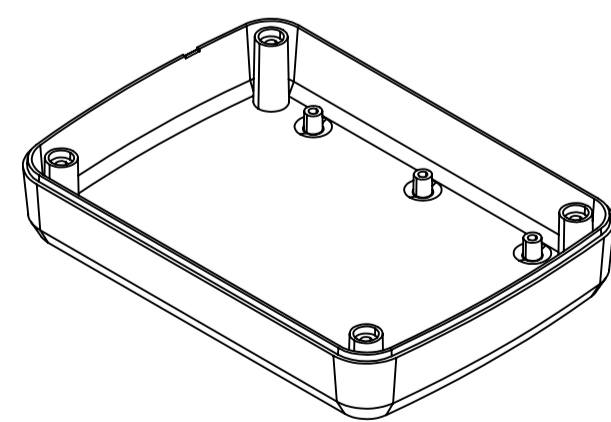
SURFACE-5



SURFACE-4

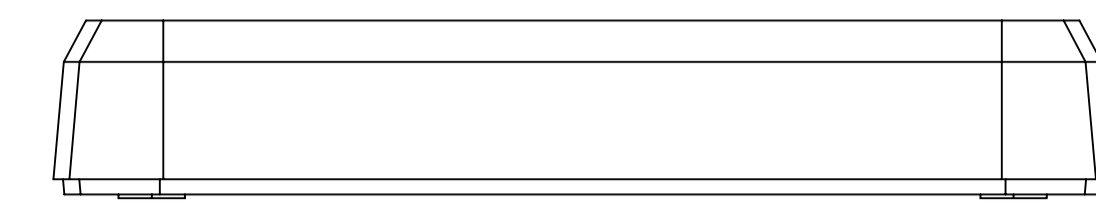


SURFACE-2

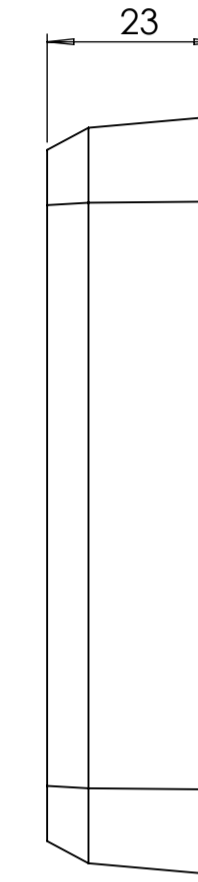


SURFACE-6 (INSIDE)

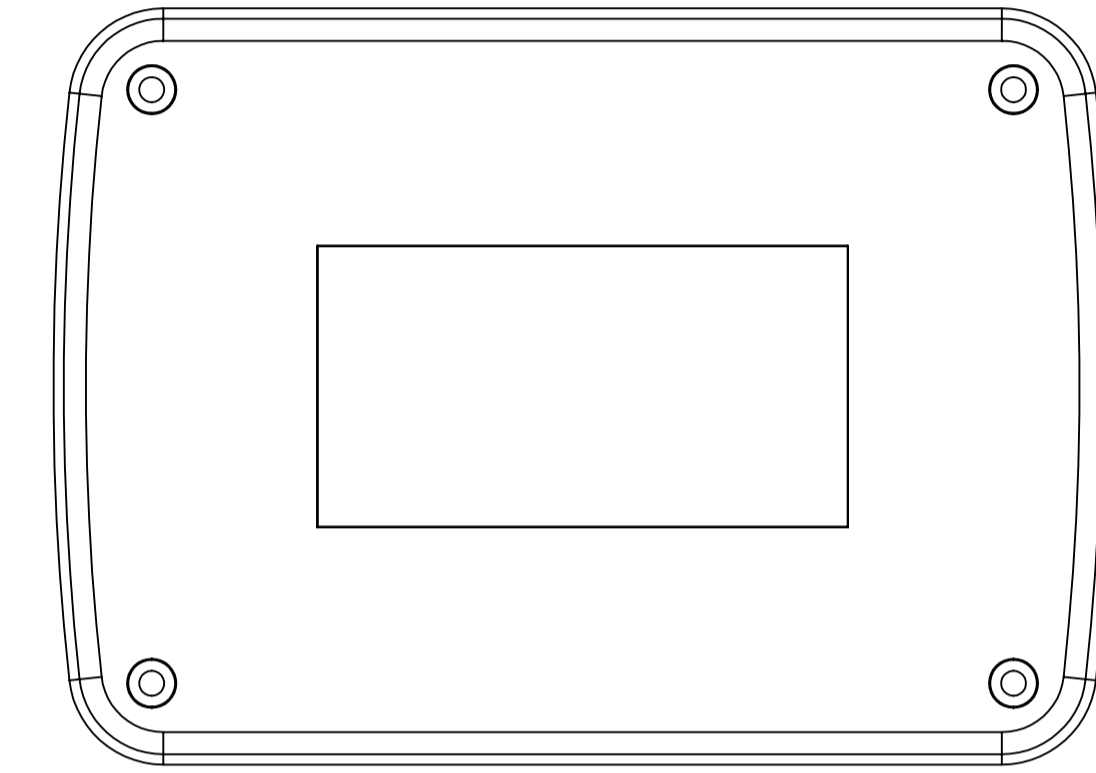
COVER: 6 SURFACE



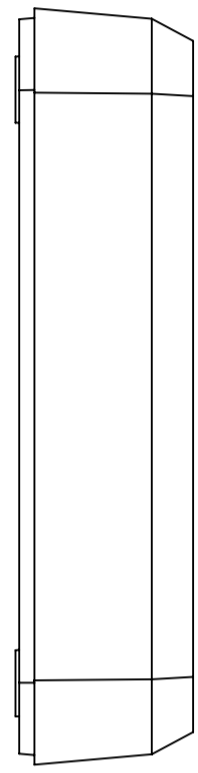
SURFACE-7



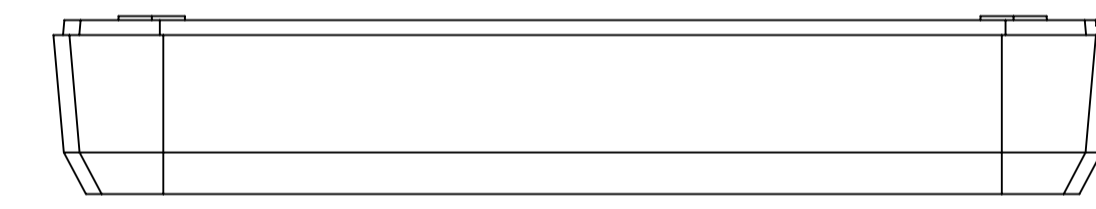
SURFACE-9



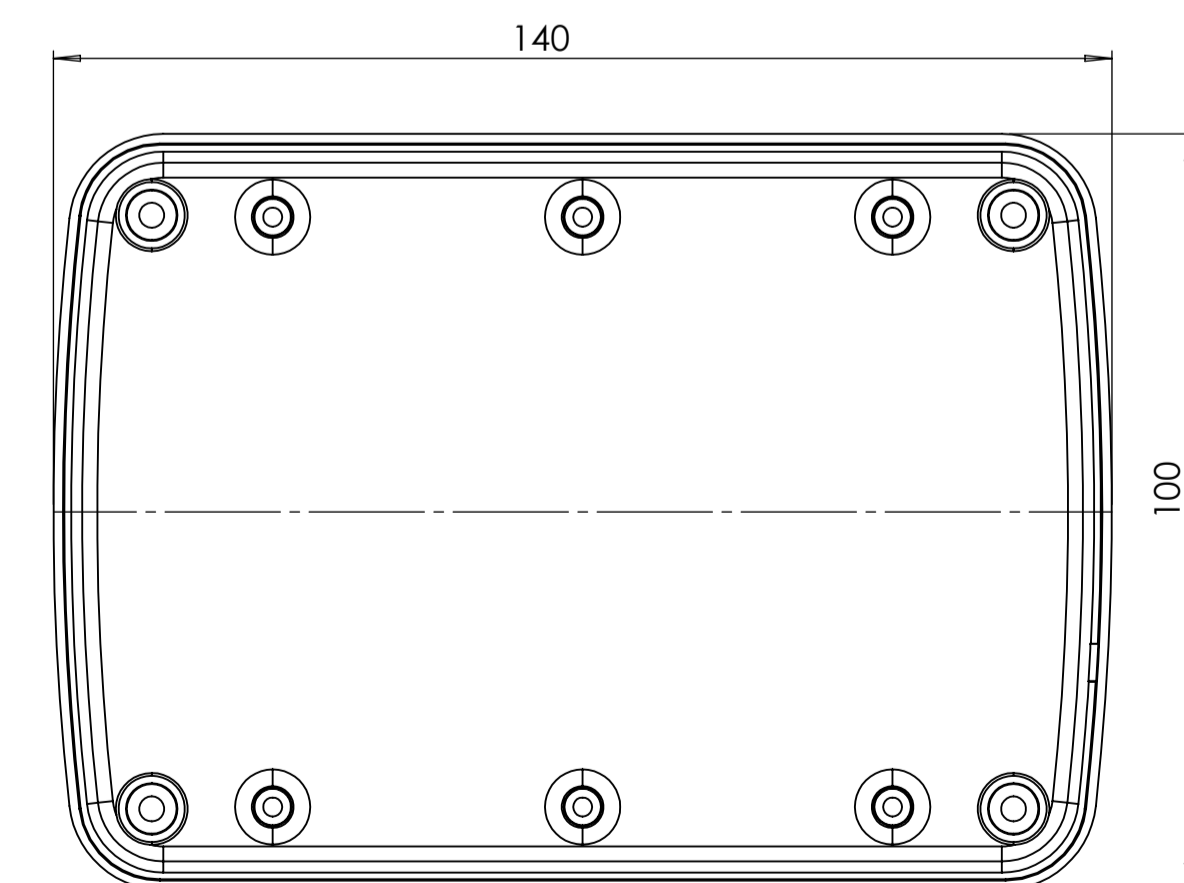
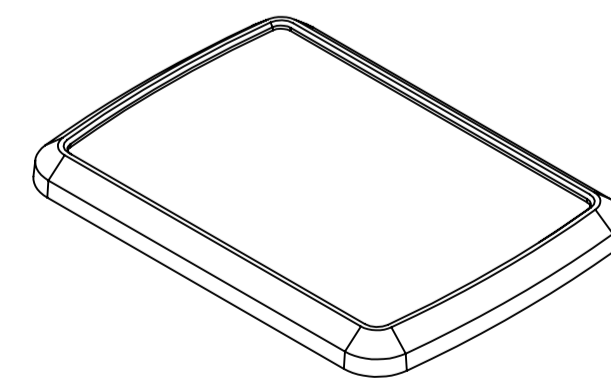
SURFACE-11



SURFACE-10



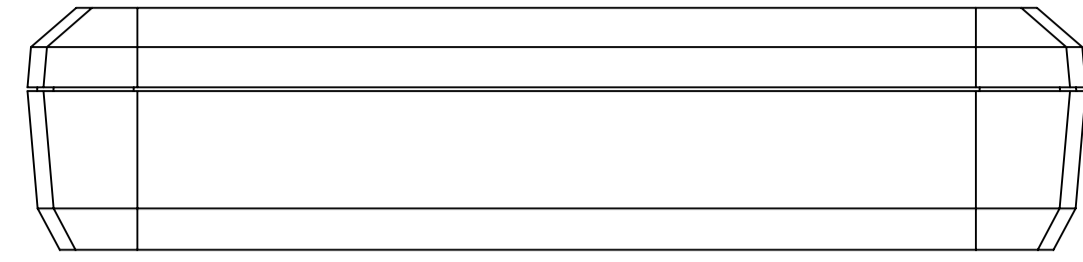
SURFACE-8



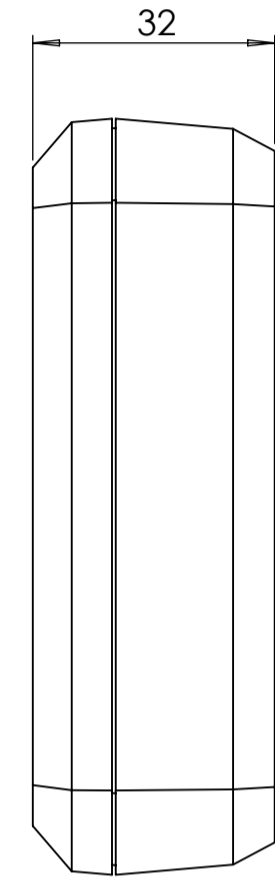
SURFACE-12 (INSIDE)

REV. NO.	DATE	REVISED BY	DESCRIPTION OF CHANGE
			www.altinkaya.com
Customer Name:		Customer Ref.:	
Altinkaya Ref.:		Part Name: HH-2043	
DRAWN	NAME	DATE	Drawn From:
CHECKED	Y. YEL	25.09.2024	Material:
DIMENSIONAL TOLERANCES UNLESS OTHERWISE SPECIFIED:		0.5-3mm	3-6mm
		±0.1	±0.1 ±0.2 ±0.3 ±0.5
SCALE 1:1			UNIT : mm
Dimension(mm)			30-120mm
			120-400mm
			m(medium)
SHEET 1 OF 2			A1

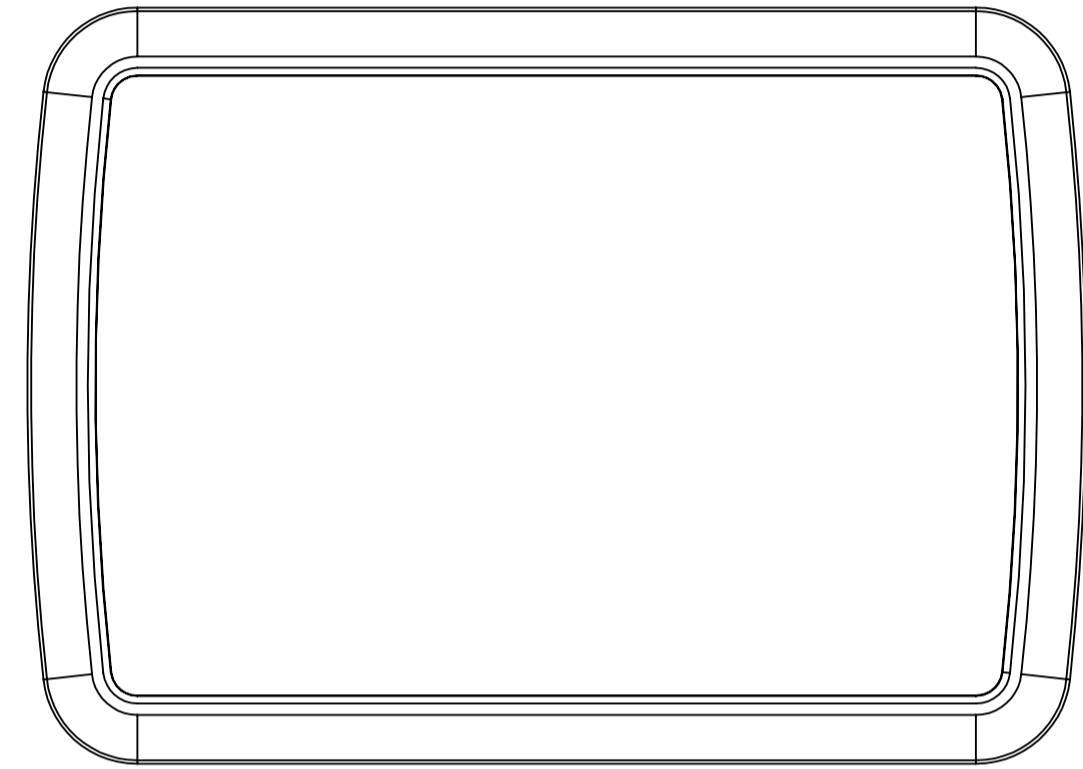
HH-2043 IF MACHINED TOGETHER



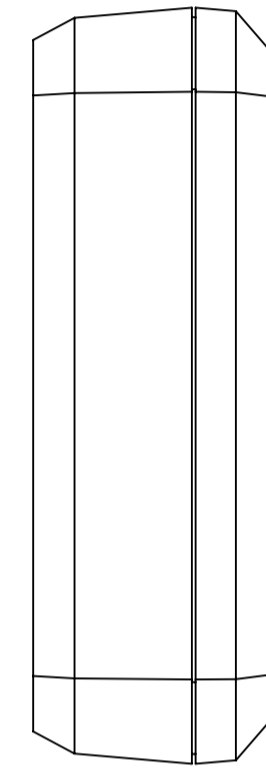
SURFACE-13



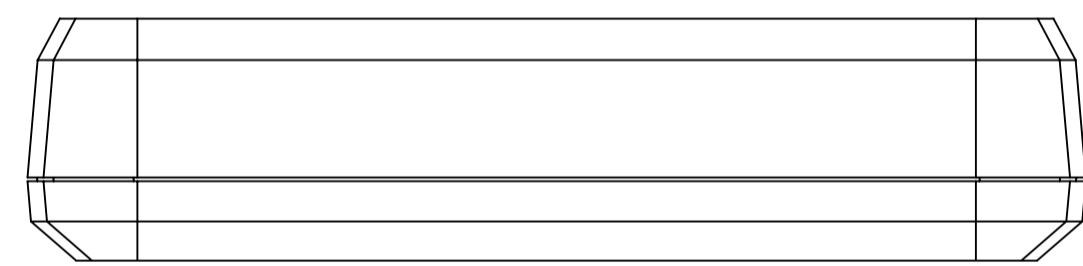
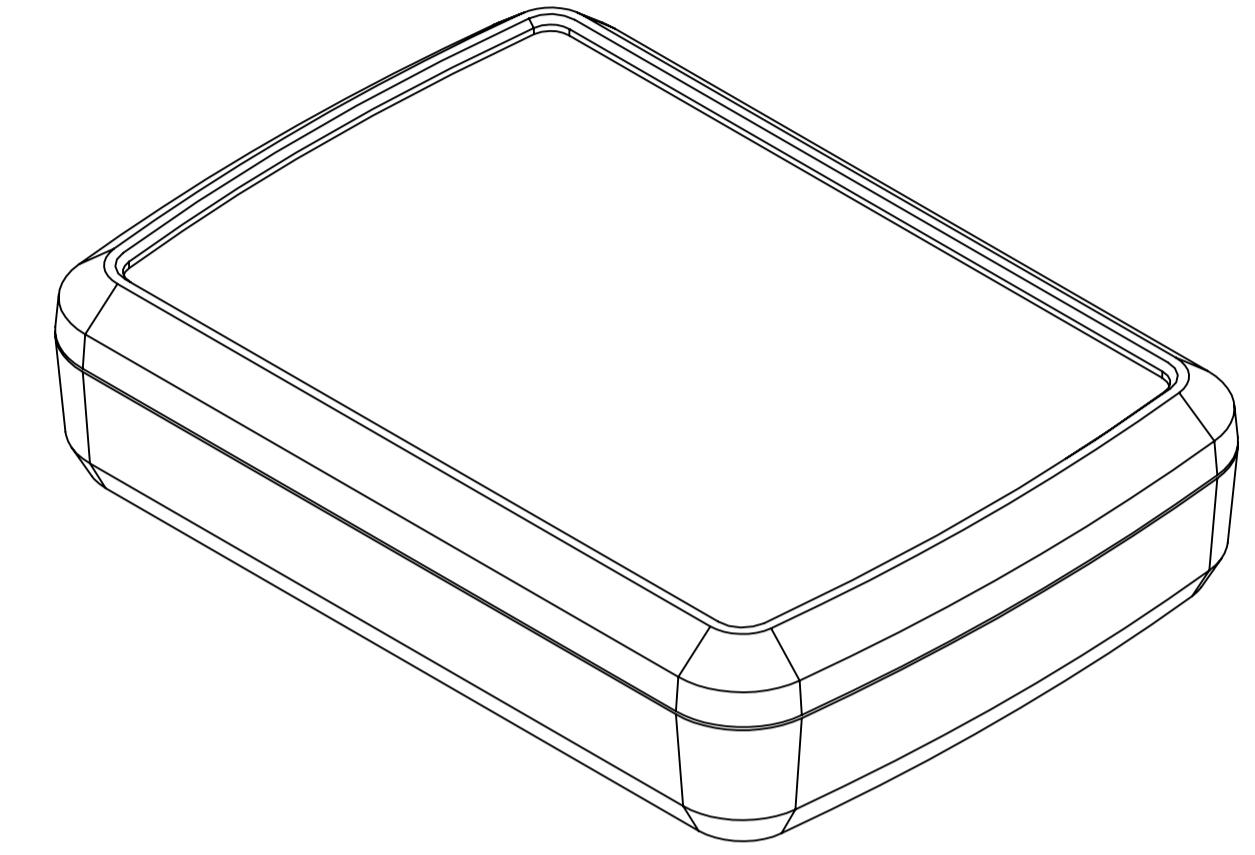
SURFACE-15



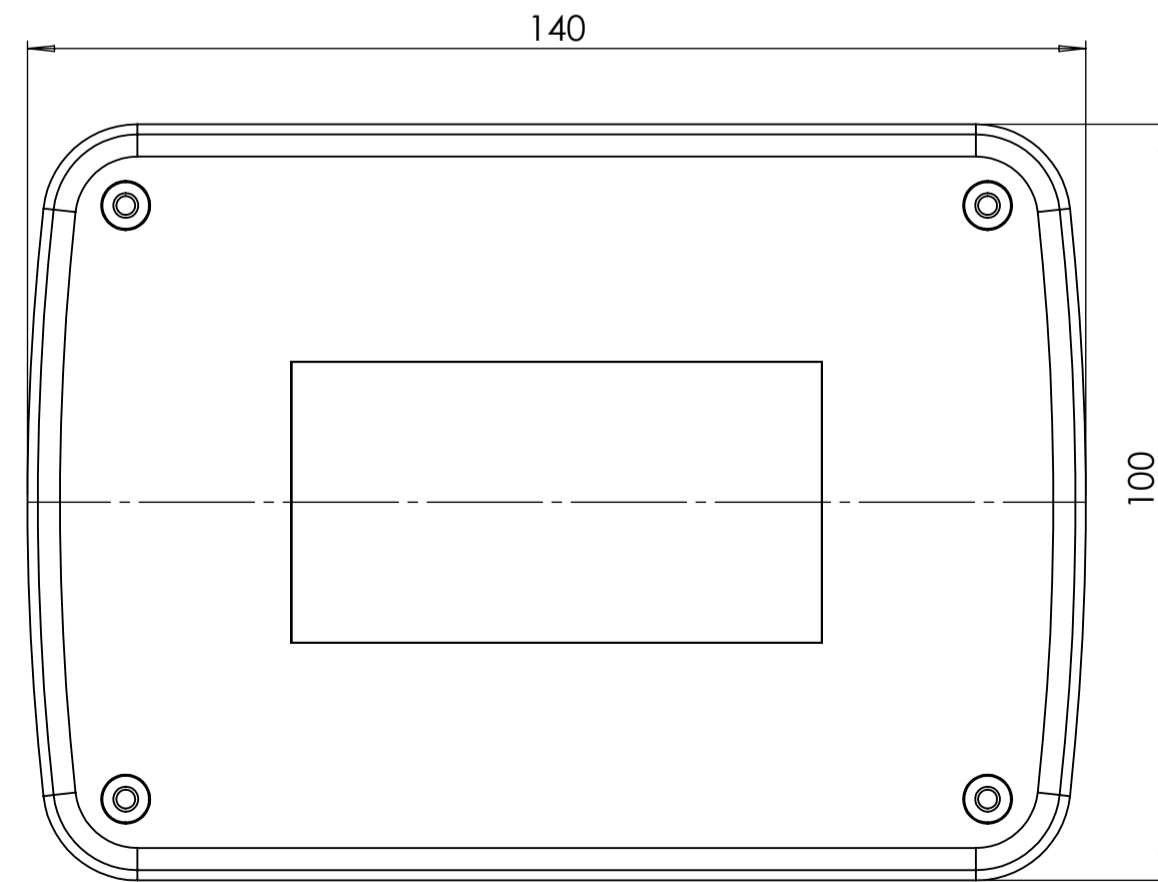
SURFACE-17



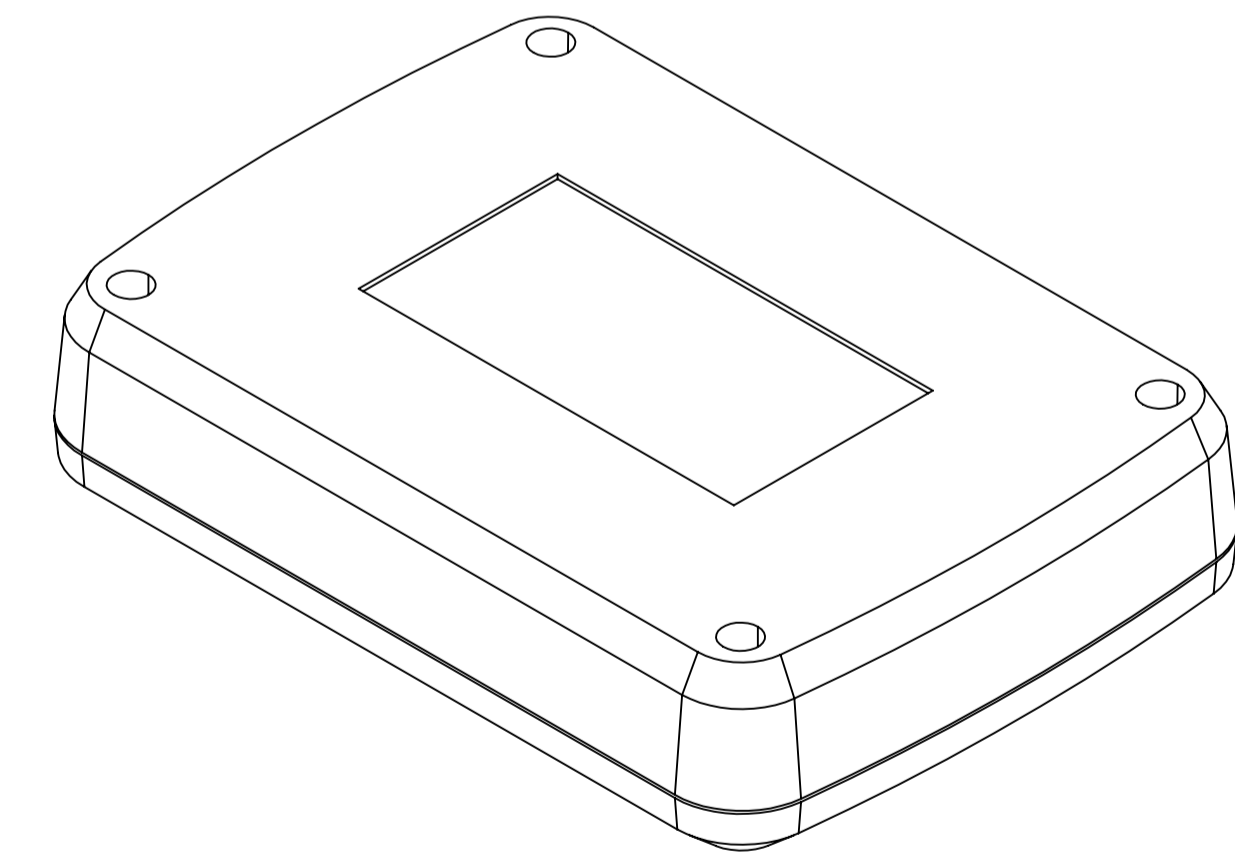
SURFACE-16



SURFACE-14



SURFACE-18



REV. NO.	DATE	REVISED BY	DESCRIPTION OF CHANGE
			www.altinkaya.com
Customer Name:		Customer Ref.:	
Altinkaya Ref.:		Part Name: HH-2043	
DRAWN	NAME	DATE	Drawn From:
CHECKED	Y. YEL	25.09.2024	Material:
DIMENSIONAL TOLERANCES UNLESS OTHERWISE SPECIFIED:		Weight:	SCALE 1:1 UNIT : mm
(R&T/148)	±0.1	±0.1	±0.2
	±0.3	±0.5	