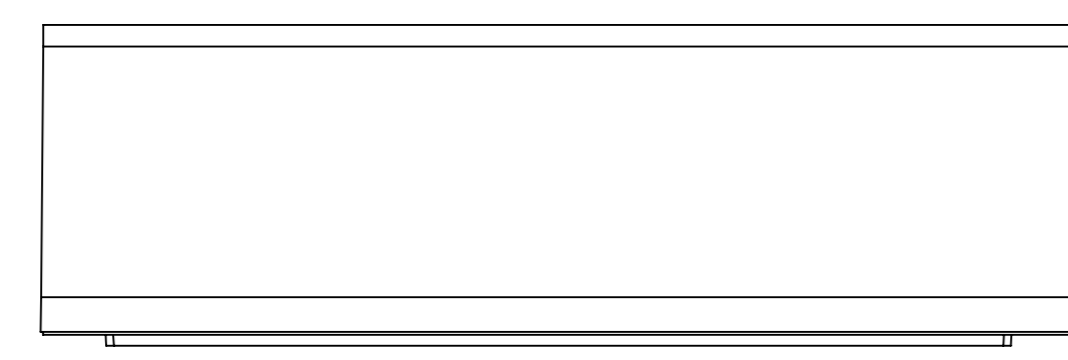
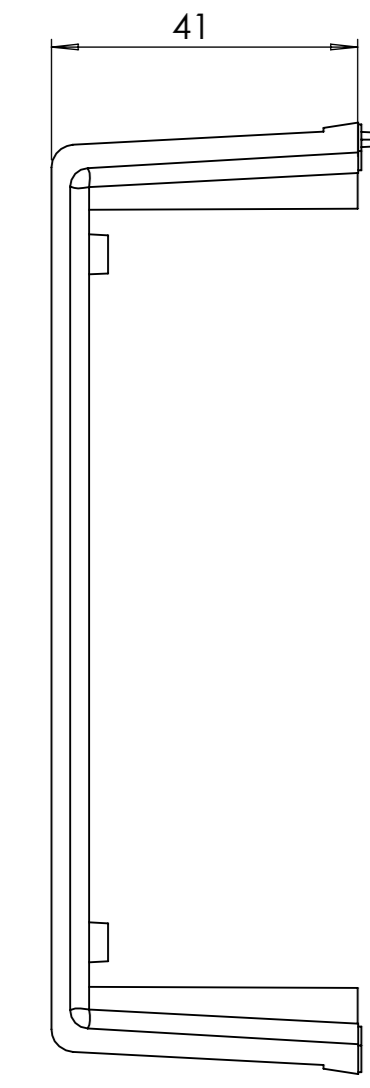


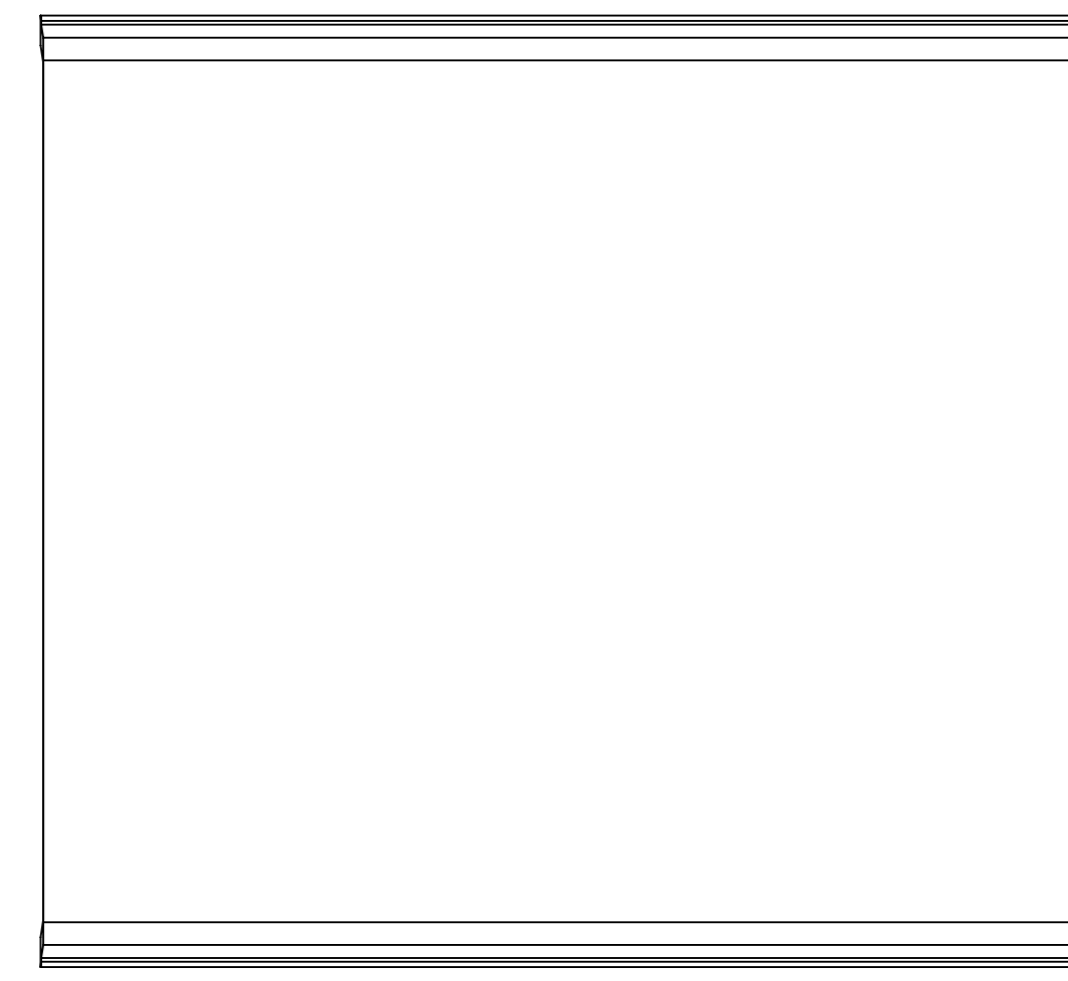
BASE: 6 SURFACE



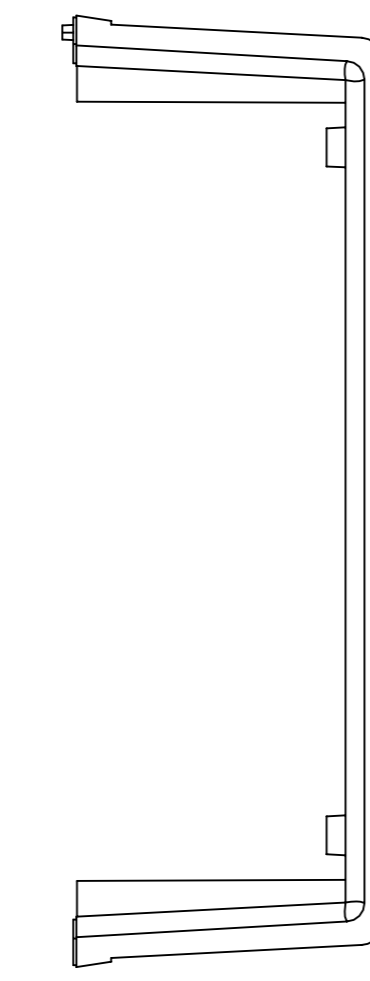
SURFACE-1



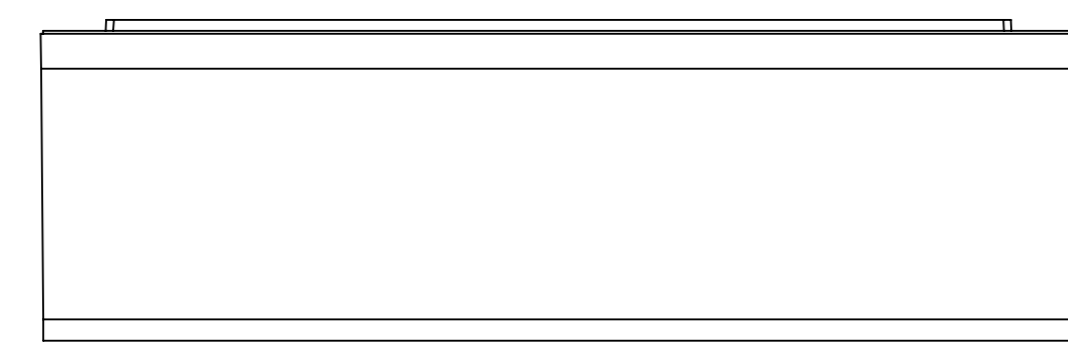
SURFACE-3



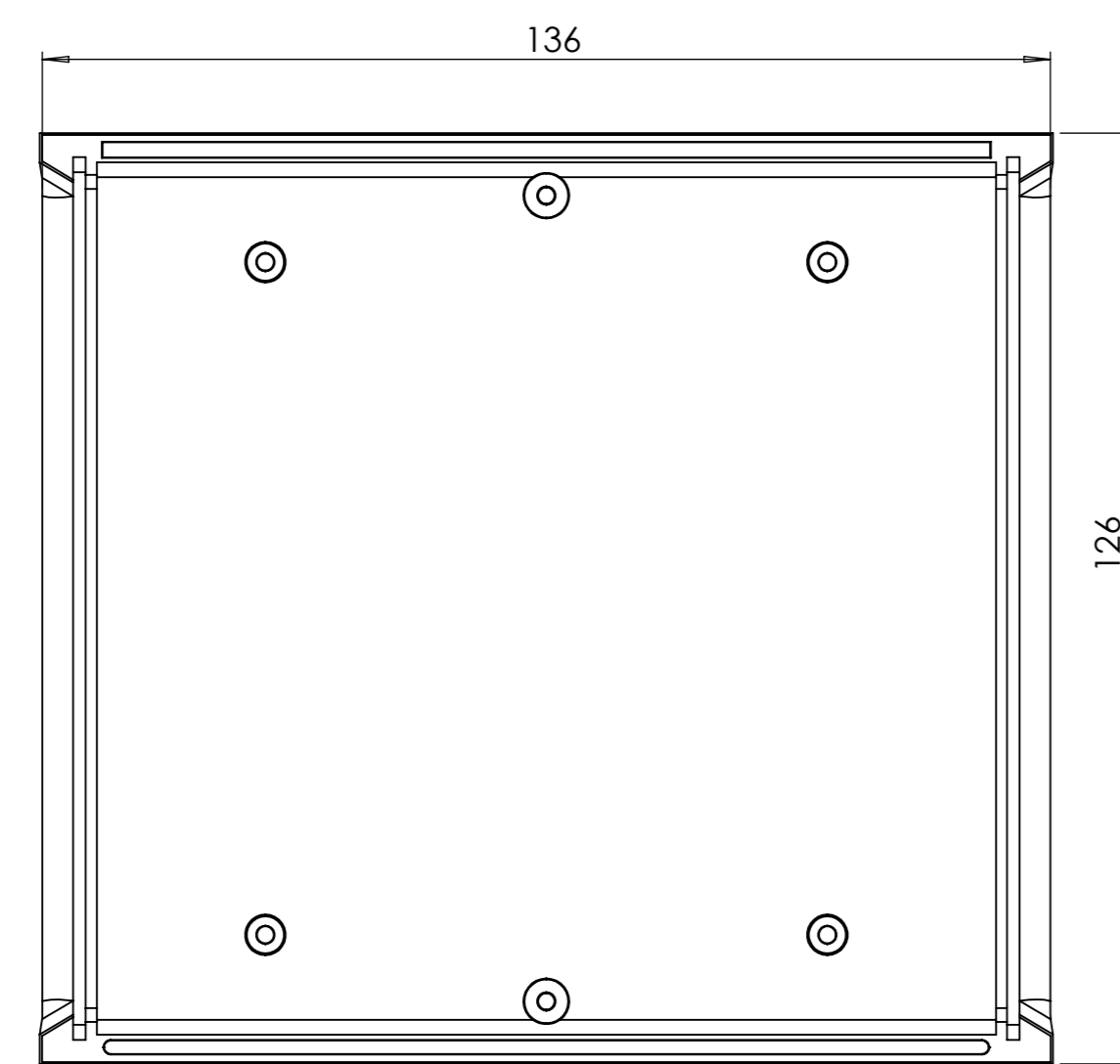
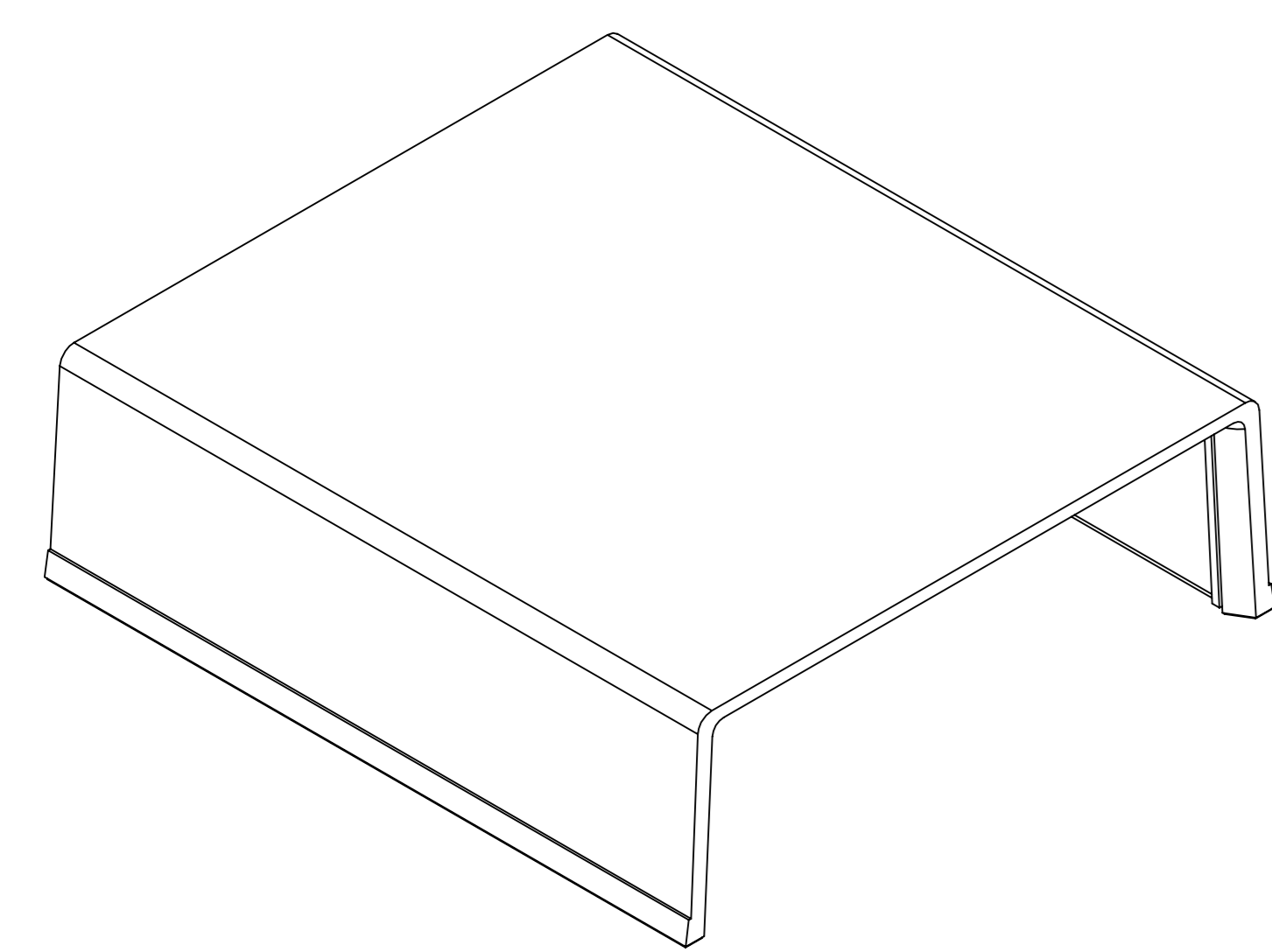
SURFACE-5



SURFACE-4

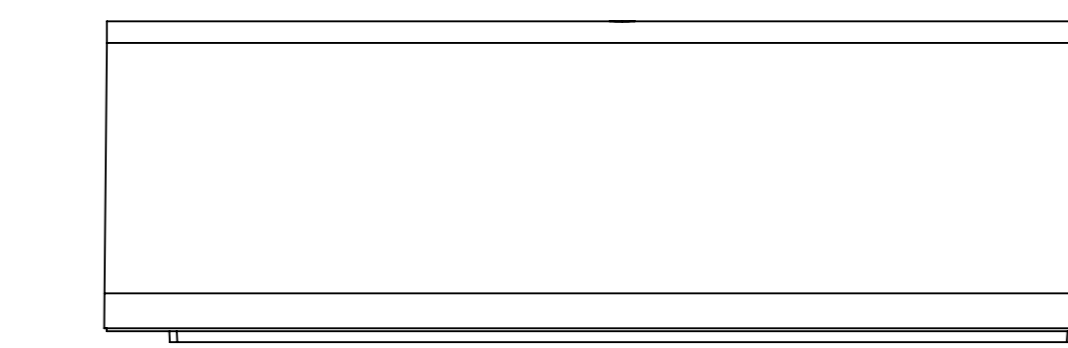


SURFACE-2

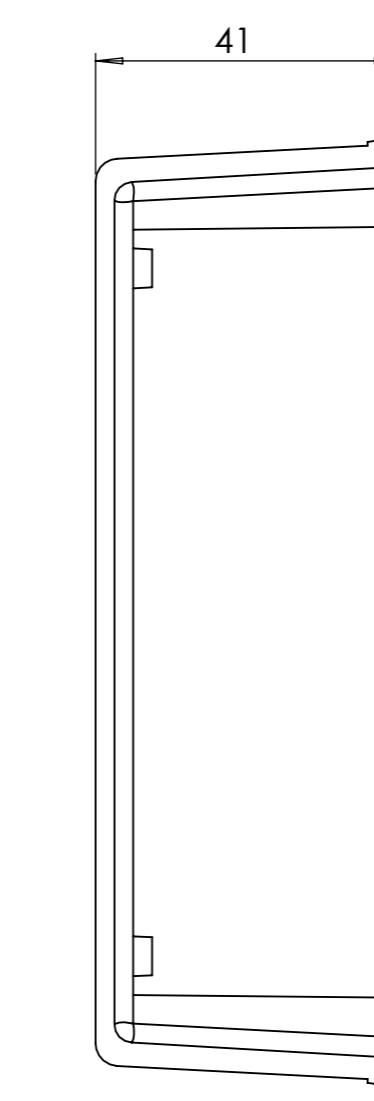


SURFACE-6 (INSIDE)

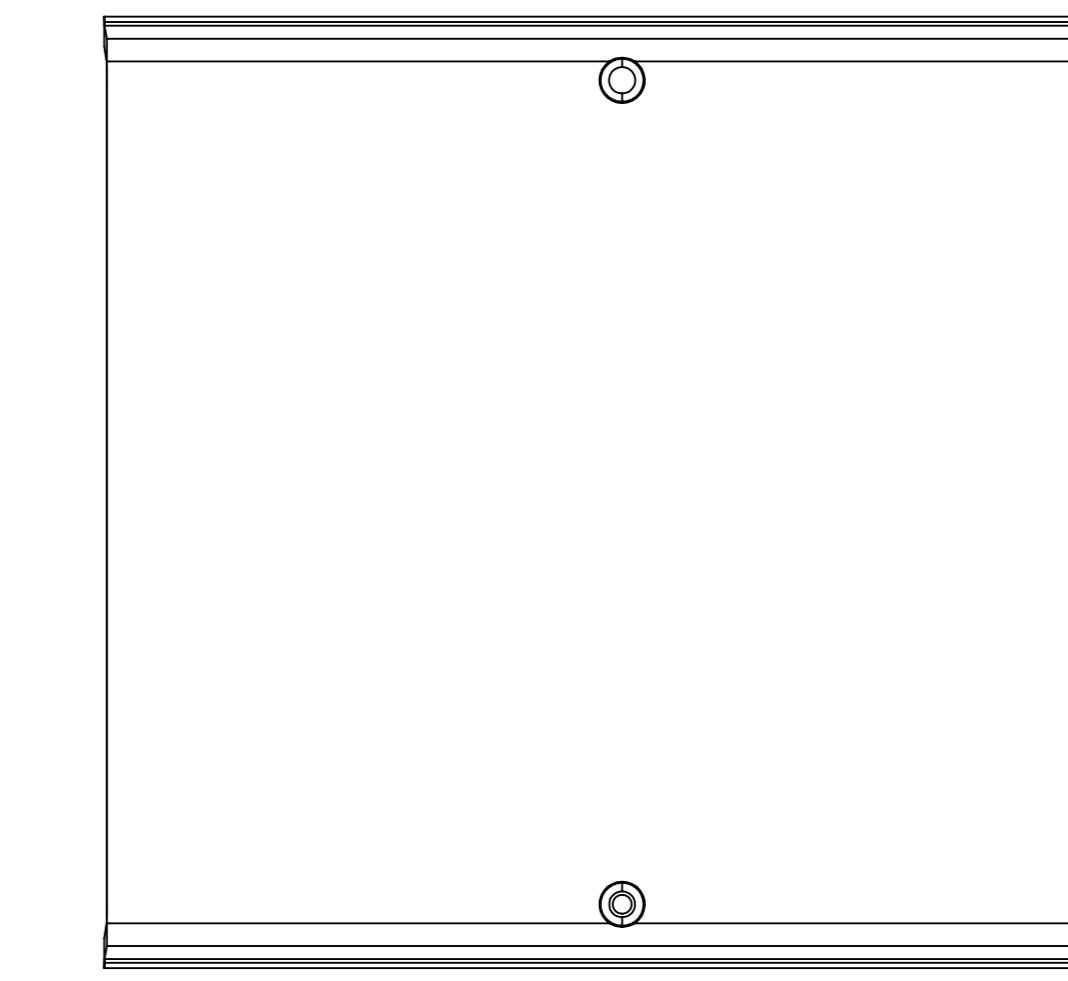
COVER: 6 SURFACE



SURFACE-7



SURFACE-9



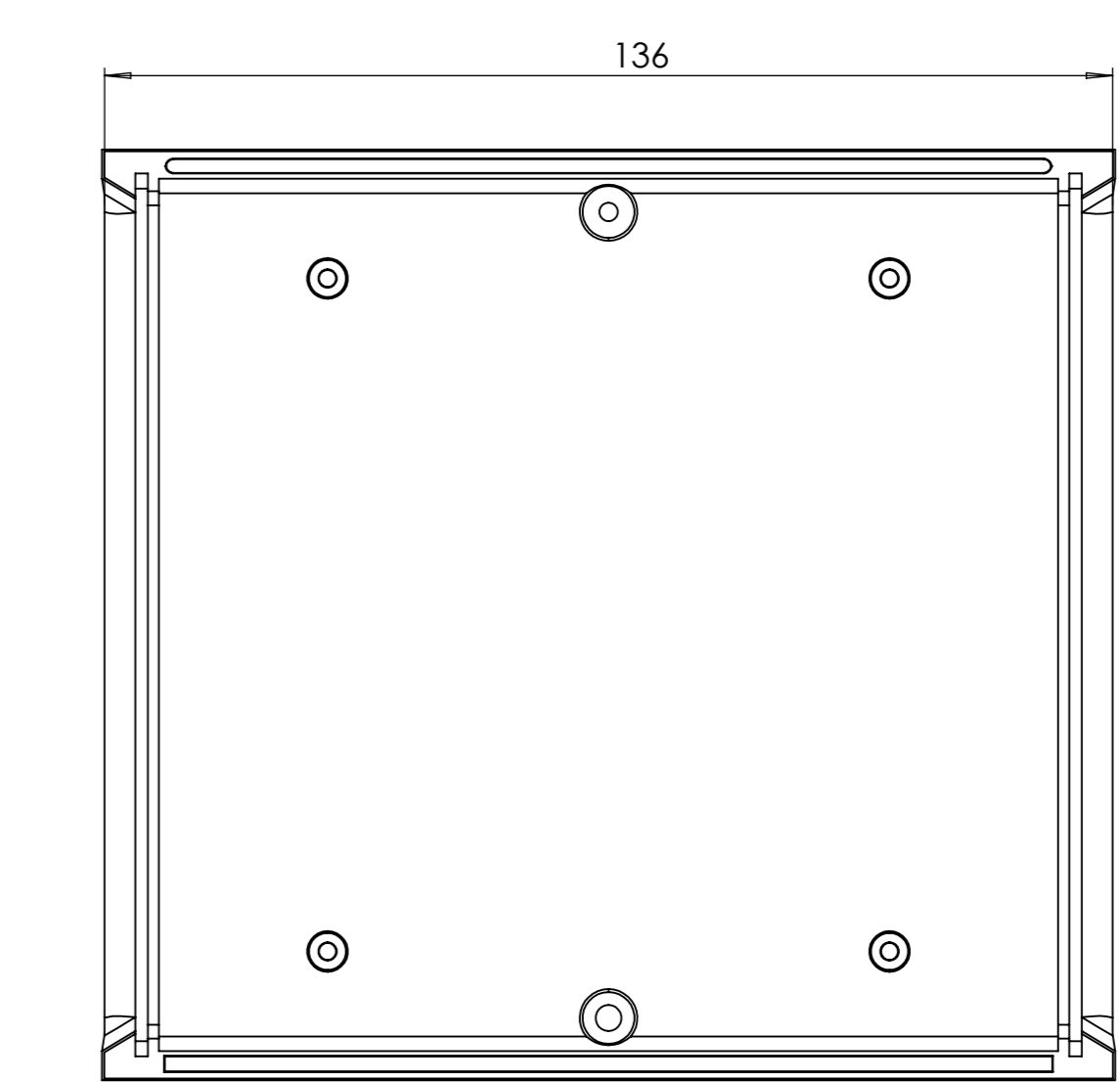
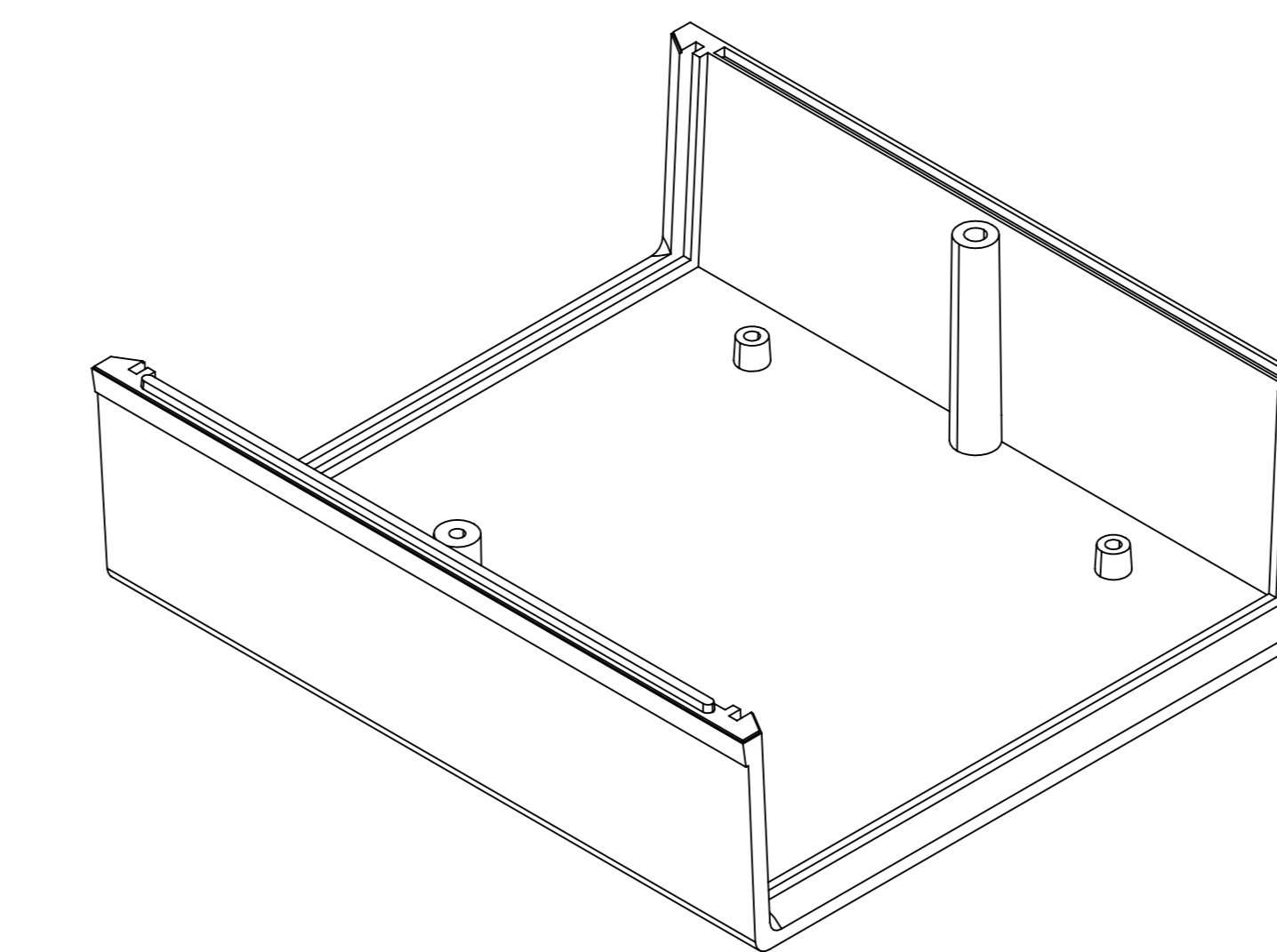
SURFACE-11



SURFACE-10

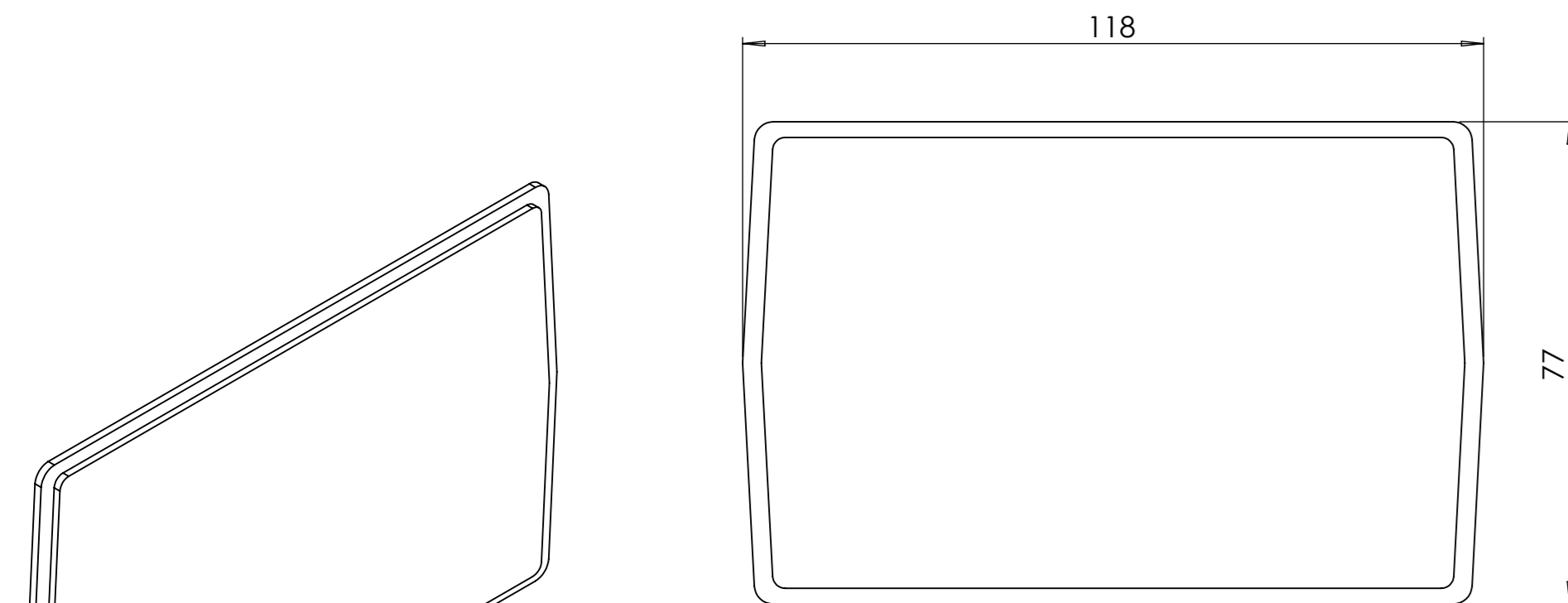


SURFACE-8

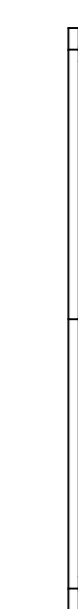


SURFACE-12 (INSIDE)

PANEL-1: 2 SURFACE

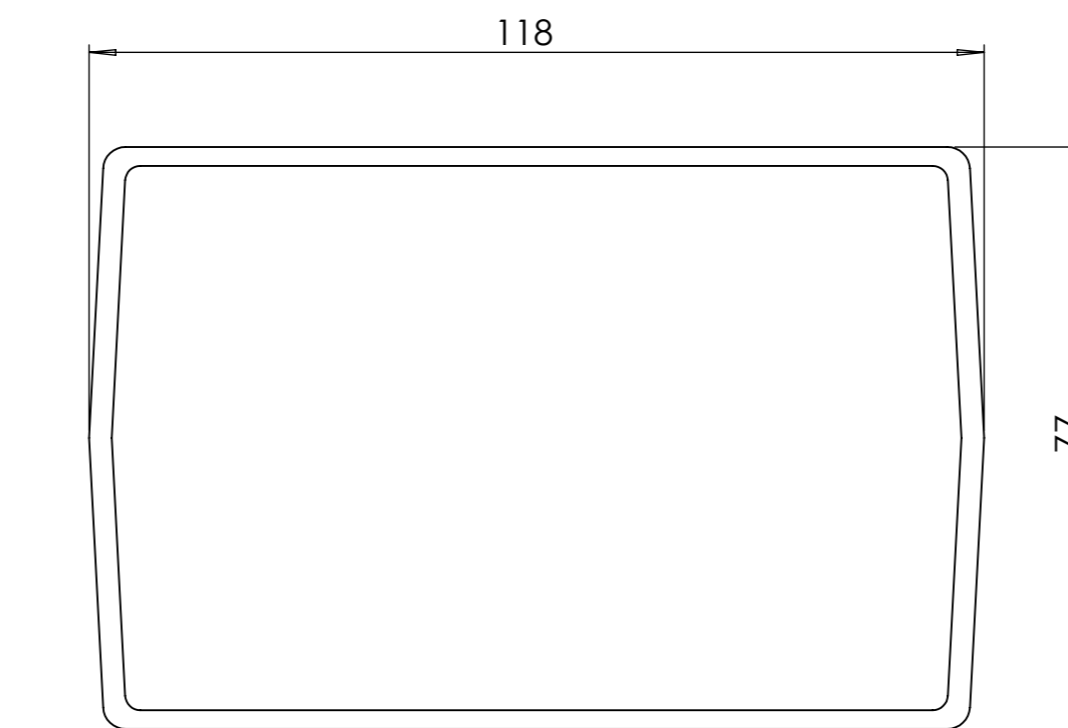


SURFACE-13

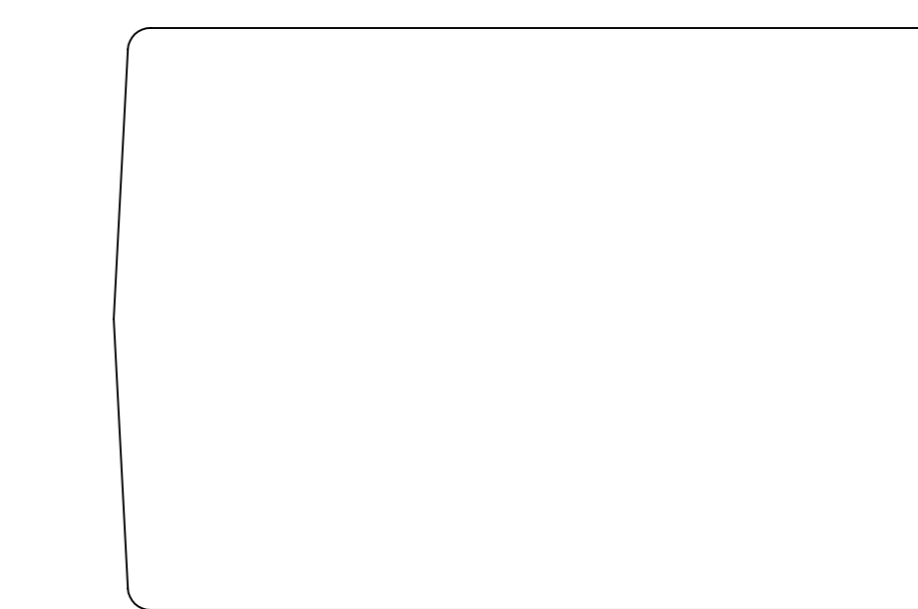
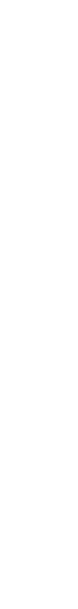


SURFACE-14


PANEL-2: 2 SURFACE



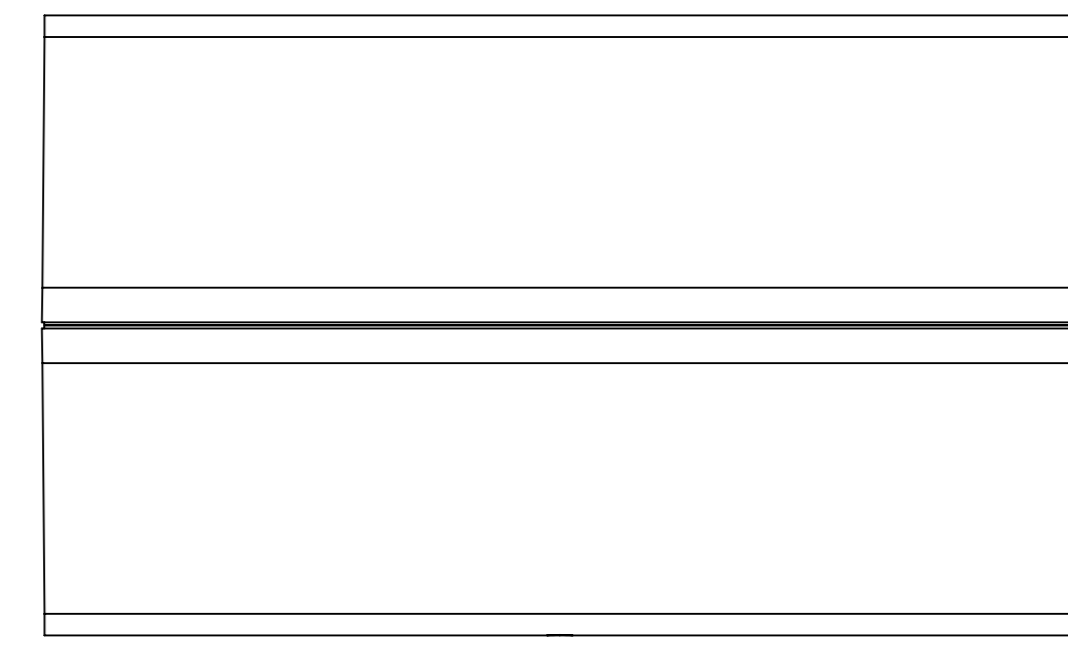
SURFACE-15



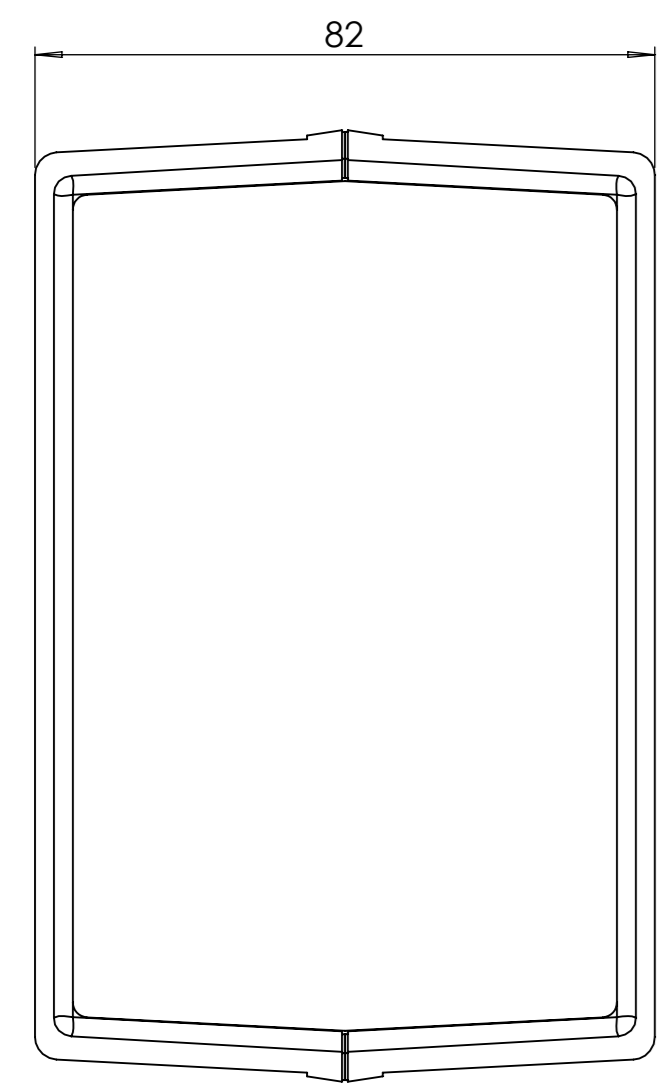
SURFACE-16

REV. NO	DATE	REVISED BY	DESCRIPTION OF CHANGE
 ALTINKAYA Electronic Enclosures & Components			www.altinkaya.com
Customer Name :		Customer Ref. :	
Altinkaya Ref. :		Part Name: DT-0909	
DRAWN	NAME	DATE	Drawn From:
CHECKED	Y.YEL	15.10.2024	Weight:
DIMENSIONAL TOLERANCES UNLESS OTHERWISE SPECIFIED (DIN7168)			UNIT: mm
	0.5-3mm	3-6mm	6-30mm
	±0,1	±0,1	±0,2
			±0,3
			±0,5
			Dimension(mm)
			m (medium)

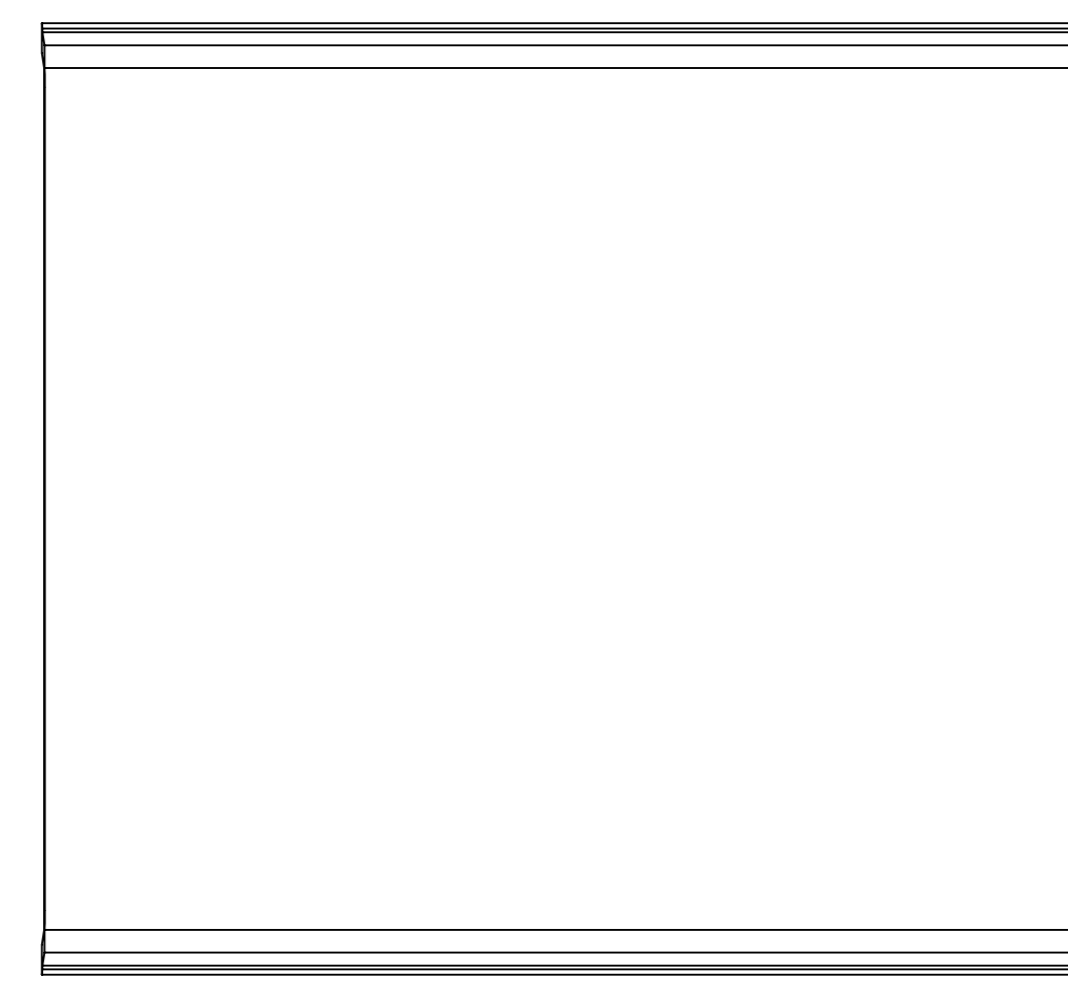
DT-0909 IF MACHINED TOGETHER



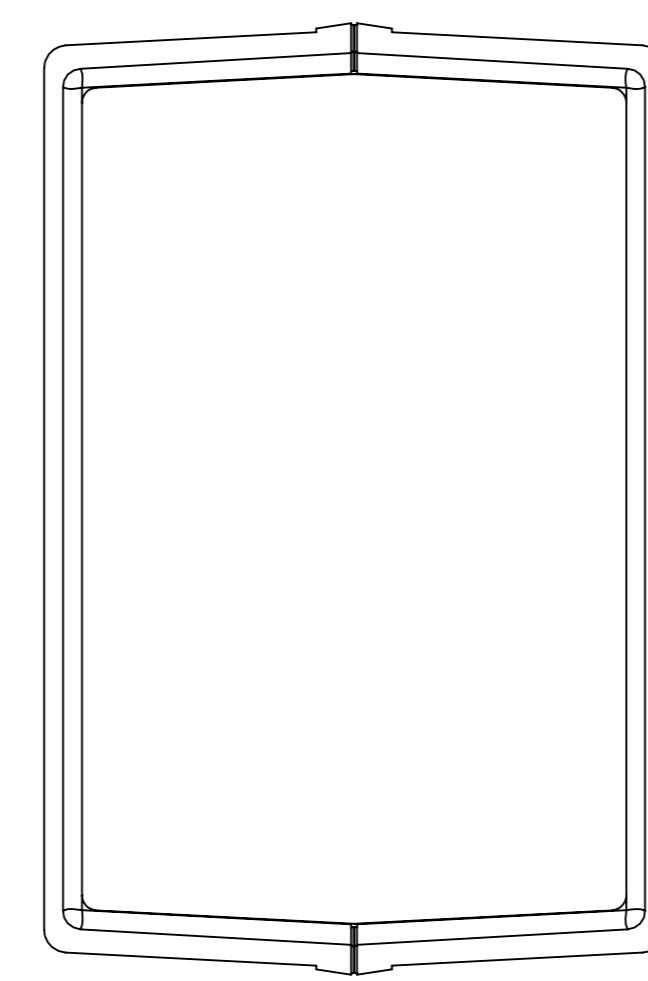
SURFACE-17



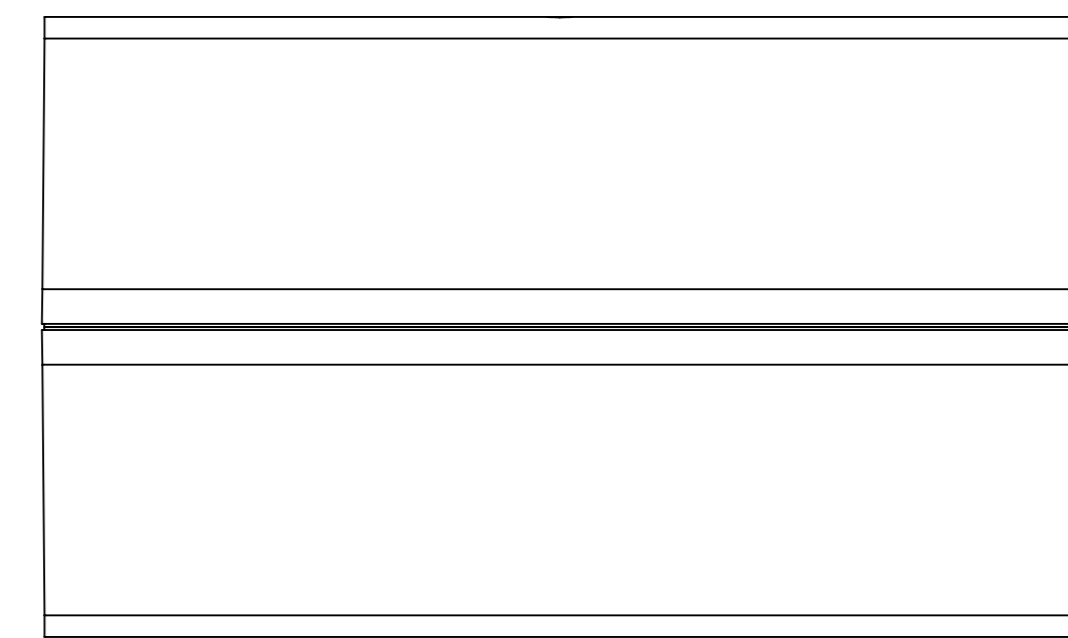
SURFACE-19



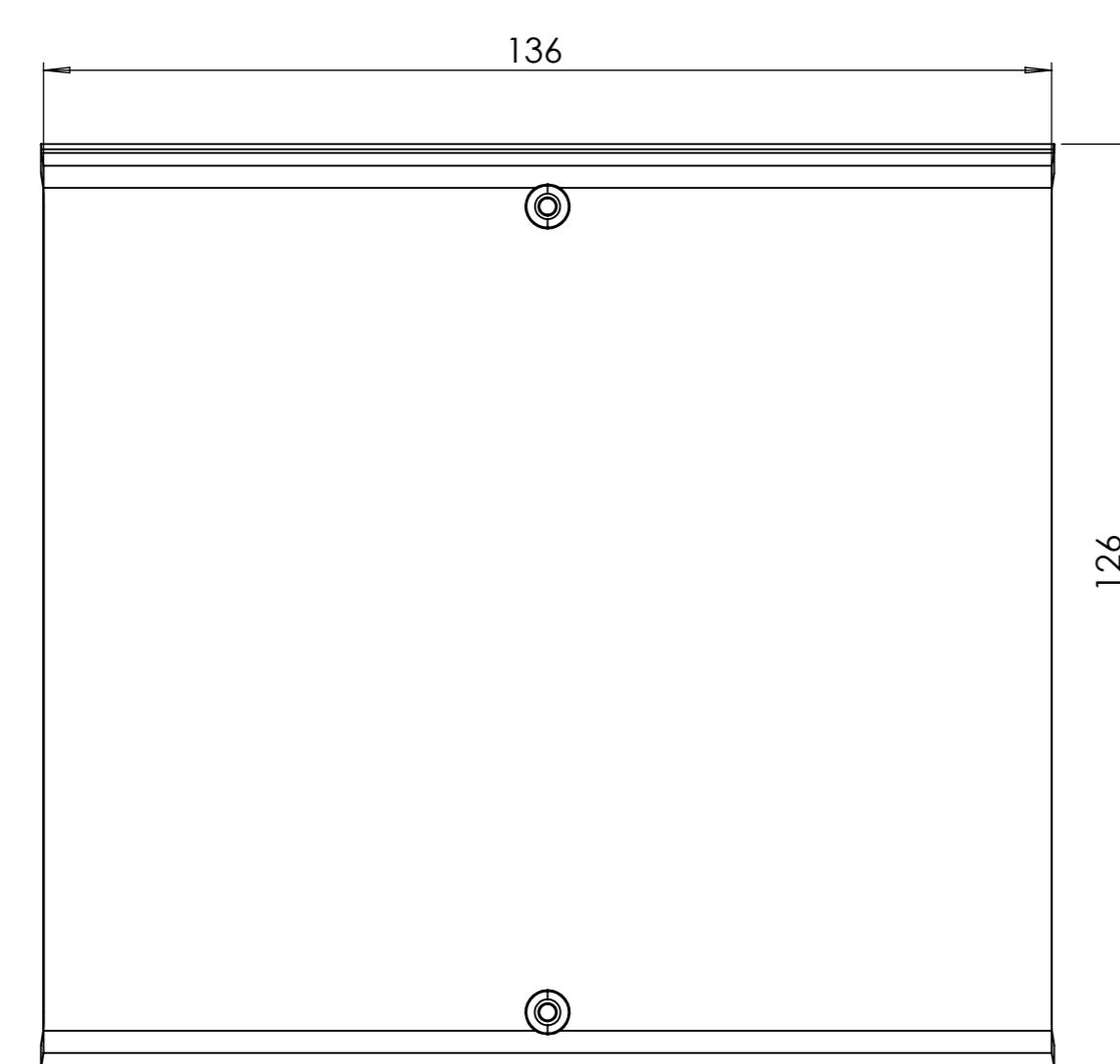
SURFACE-21



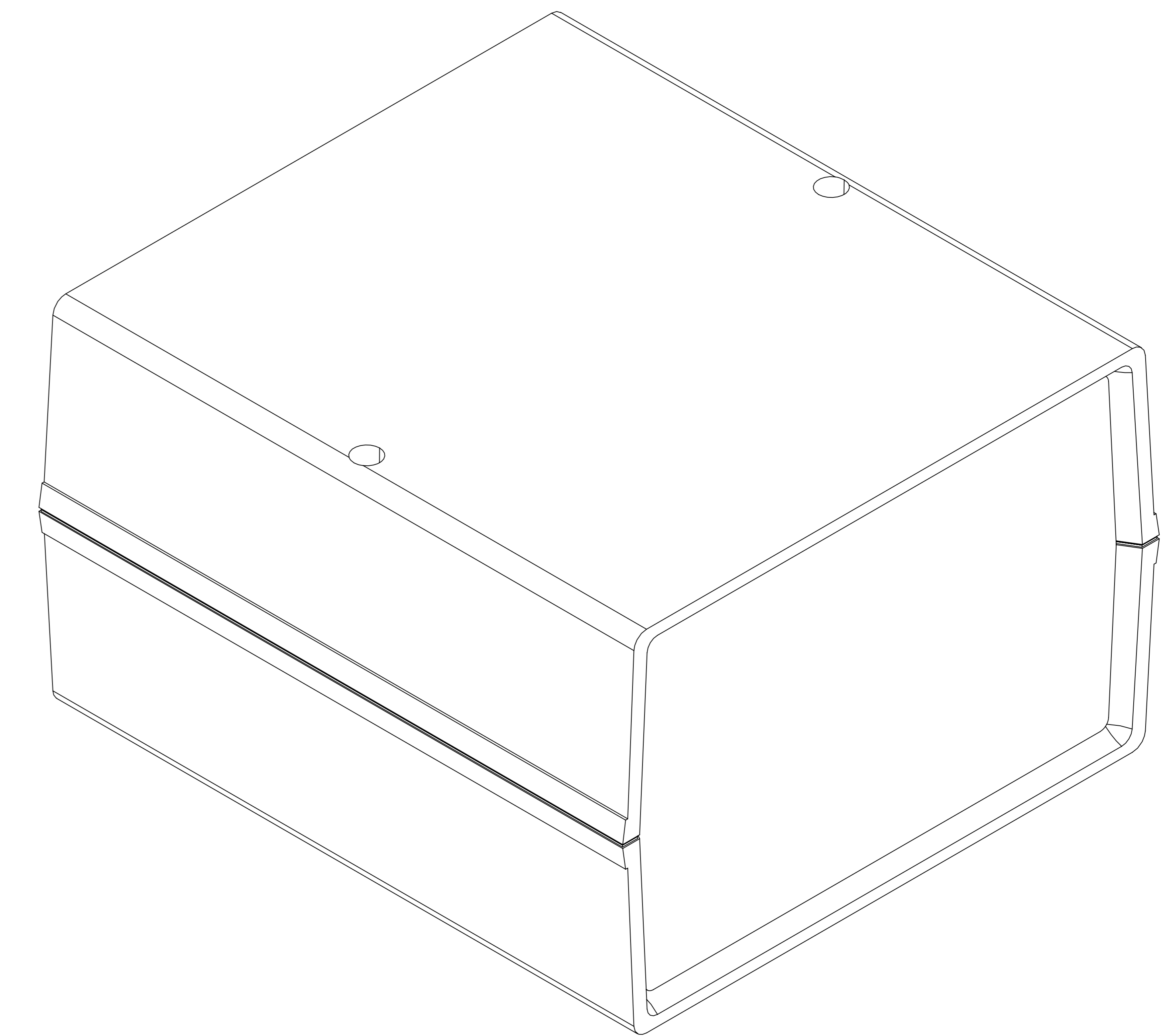
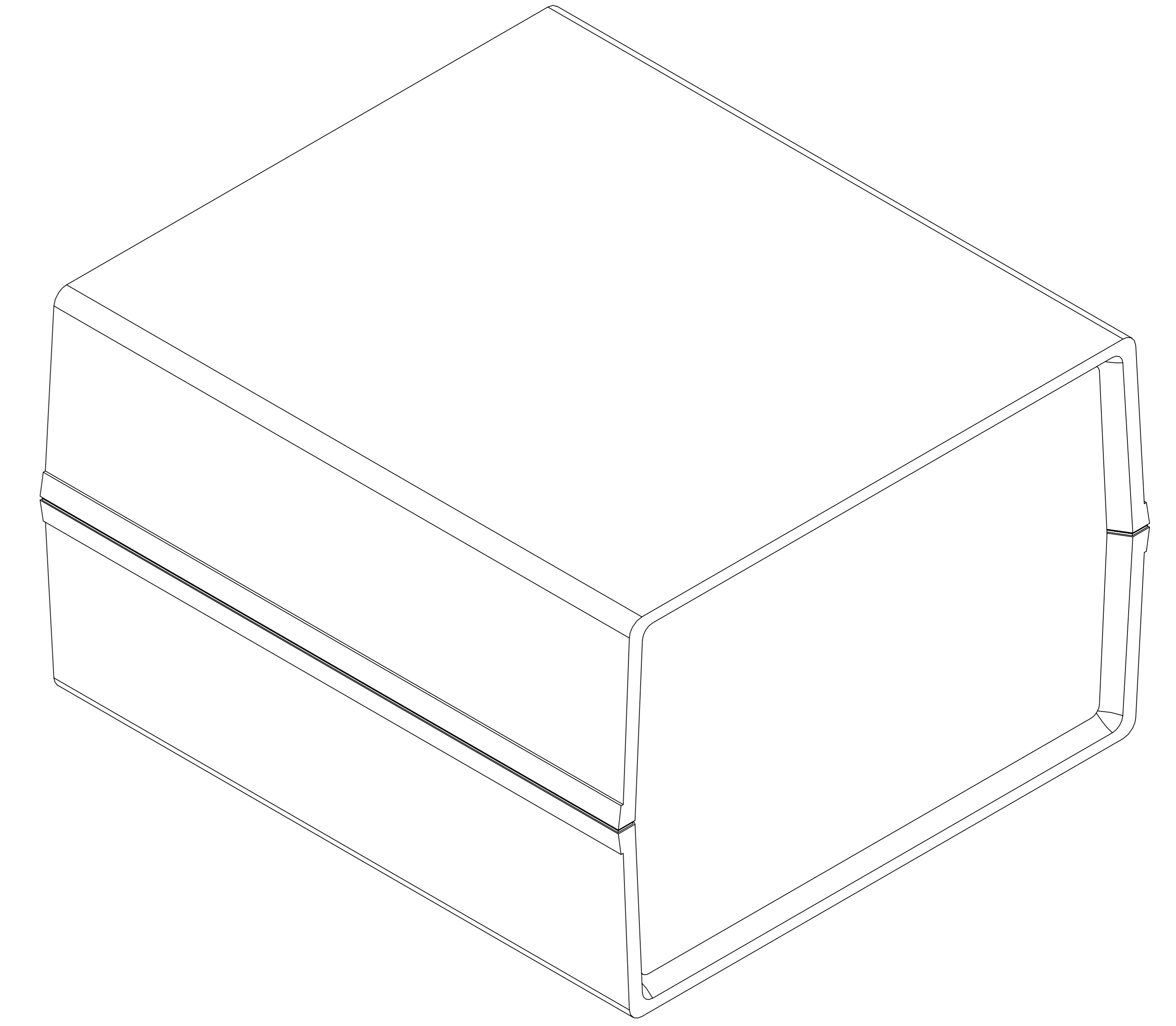
SURFACE-20



SURFACE-18



SURFACE-22



REV. NO	DATE	REVISED BY	DESCRIPTION OF CHANGE
 ALTINKAYA Electronic Enclosures & Components			
Customer Name :		Customer Ref. :	
Altinkaya Ref :		Part Name: DT-0909	
DRAWN	NAME	DATE	Drawn From:
CHECKED	Y.YEL	15.10.2024	Weight:
DIMENSIONAL TOLERANCES UNLESS OTHERWISE SPECIFIED (DIN7168)			UNIT: mm
	0.5-3mm	3-6mm	6-30mm
	±0,1	±0,1	±0,2
			±0,3
			±0,5
			Dimension(mm)
			m (medium)