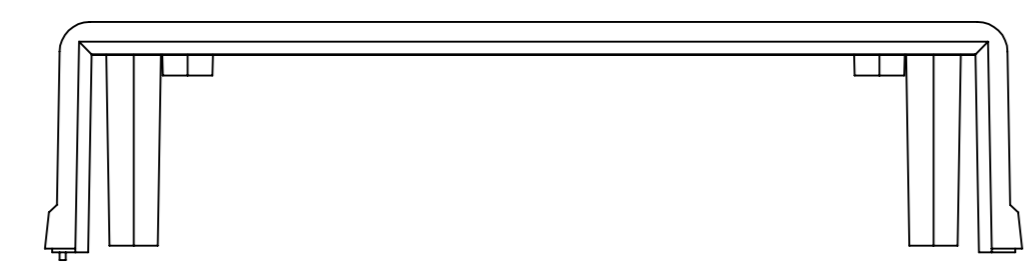
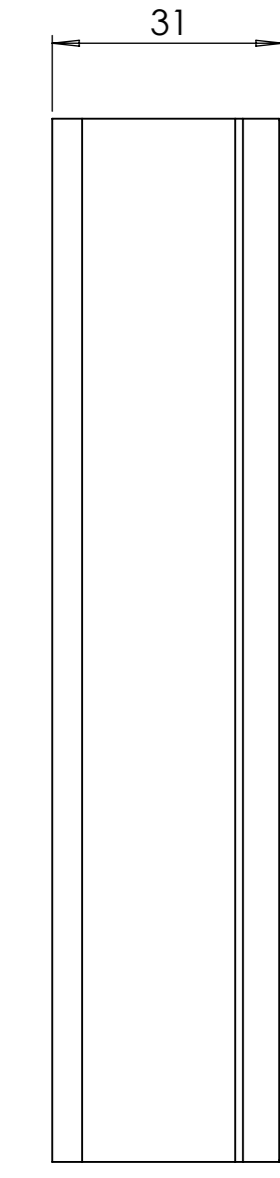


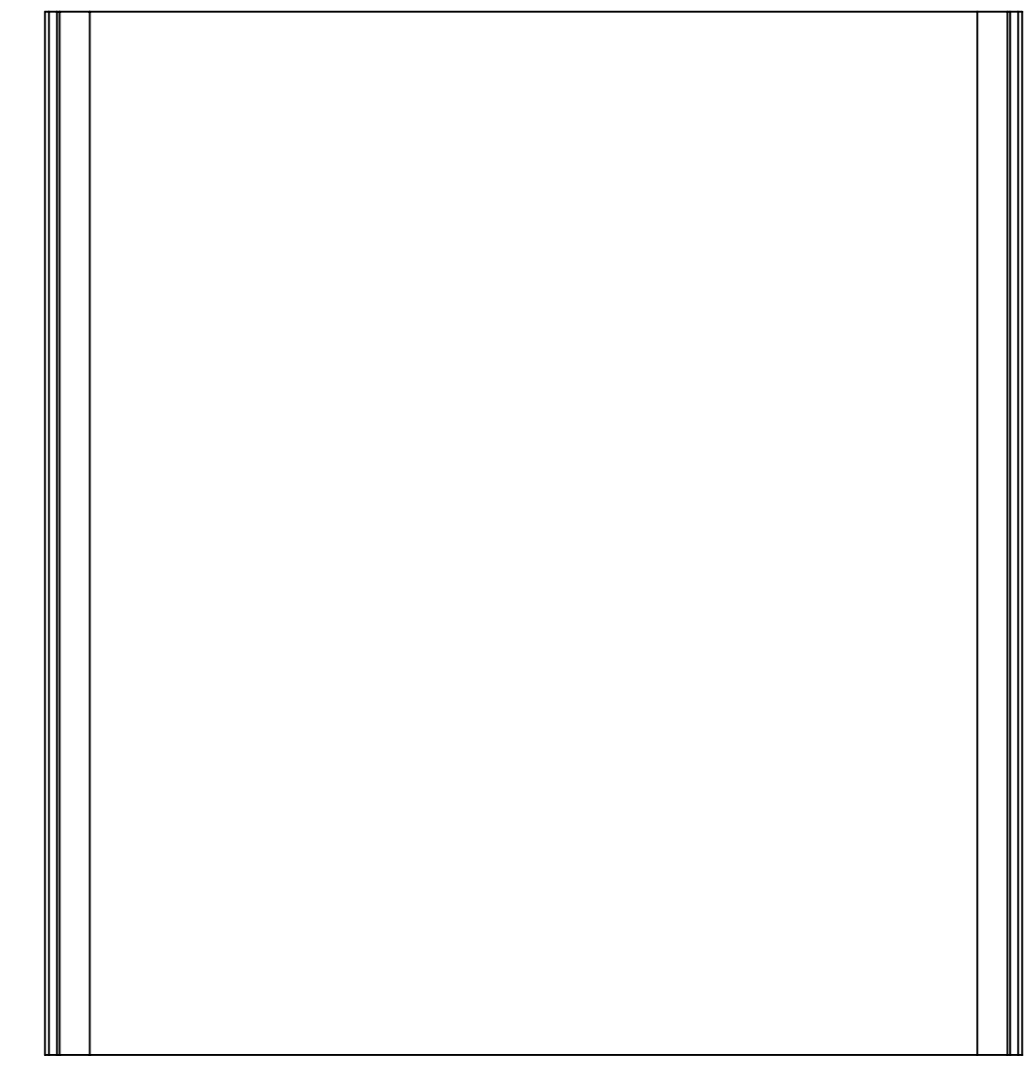
**BASE: 6 SURFACE**



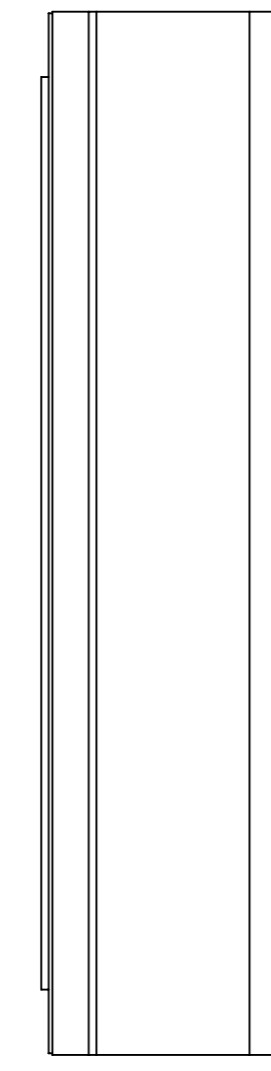
SURFACE-1



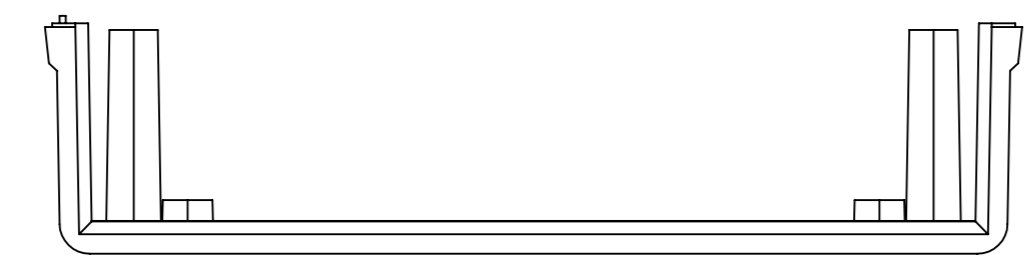
SURFACE-3



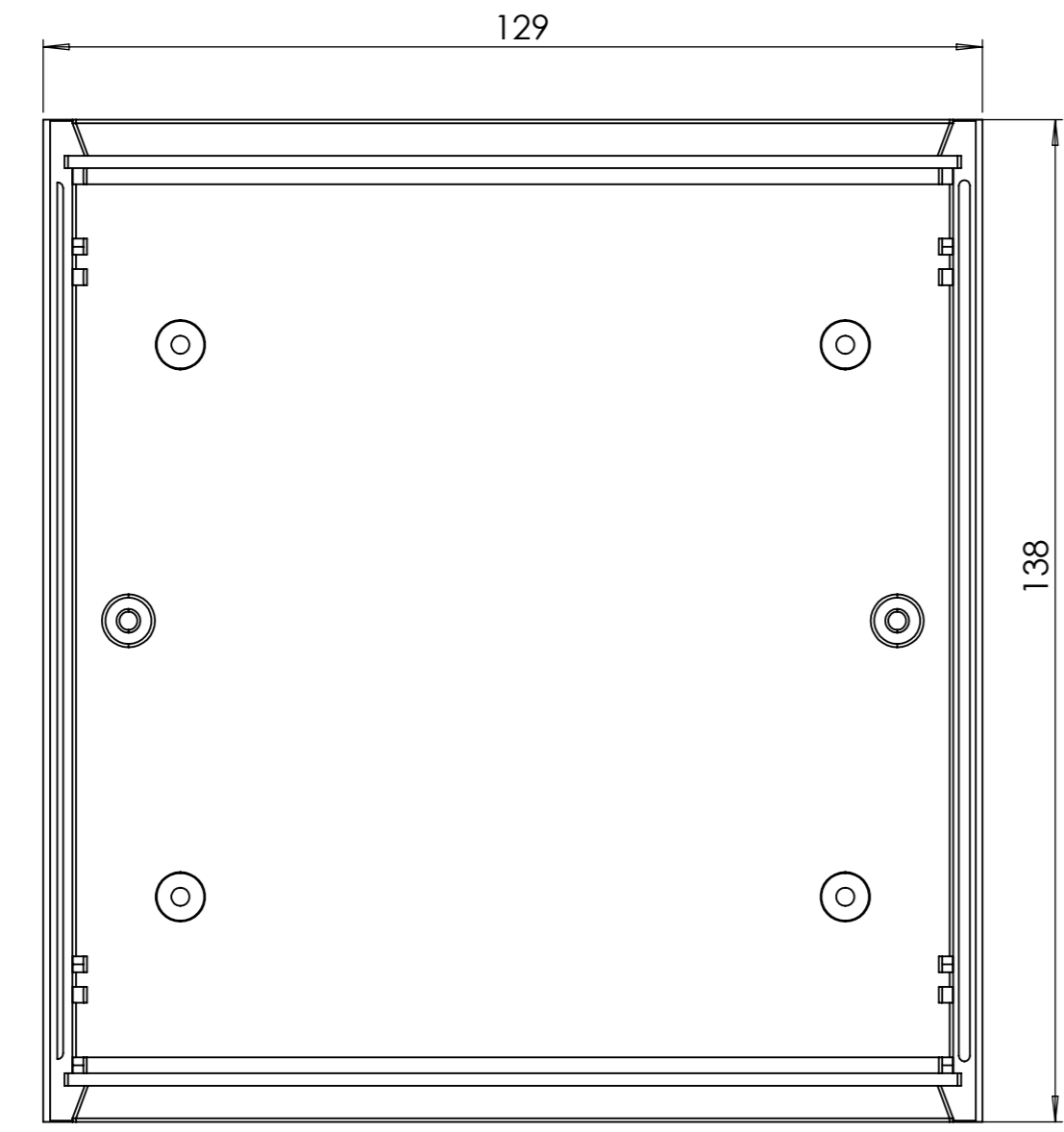
SURFACE-5



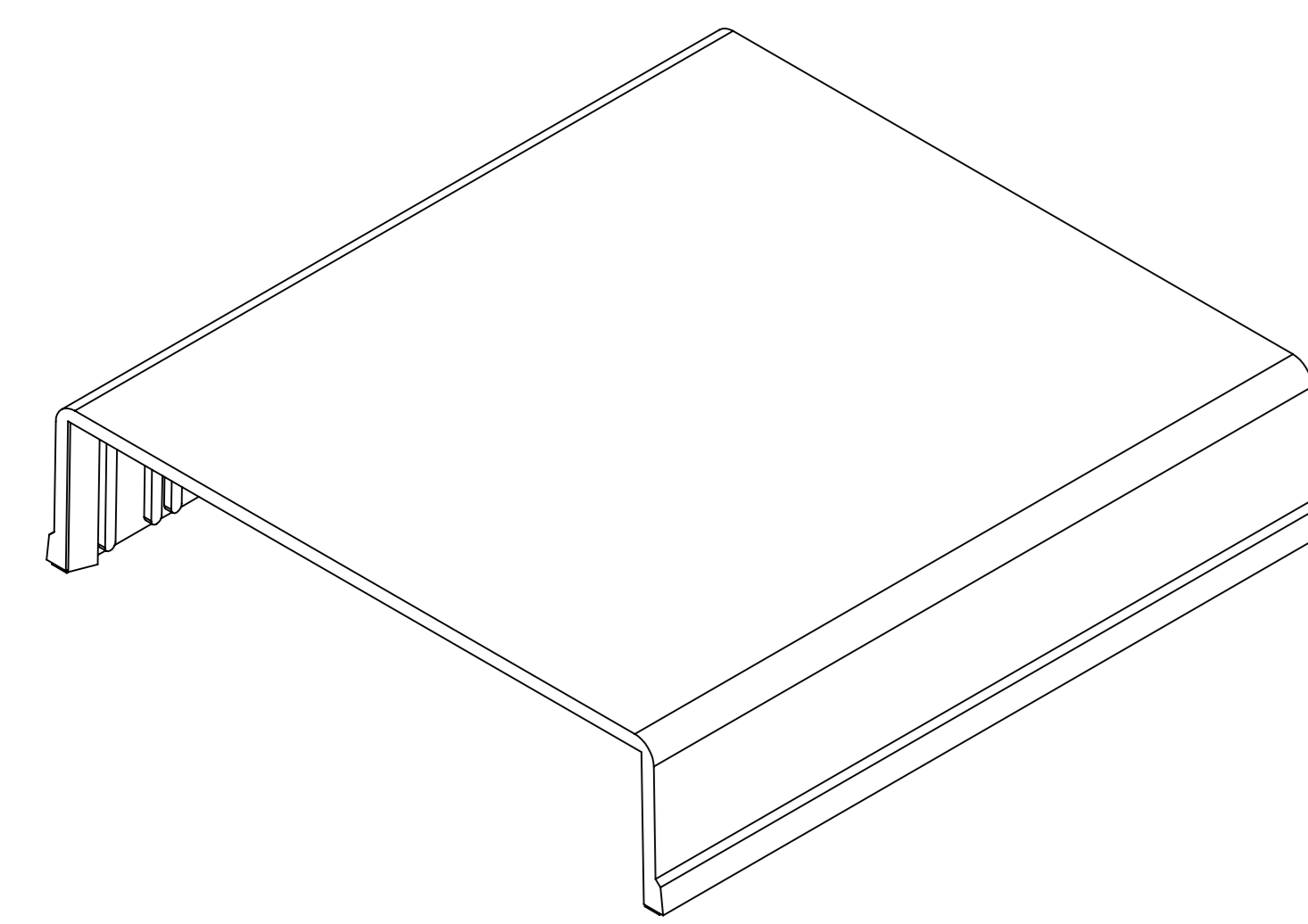
SURFACE-4



SURFACE-2



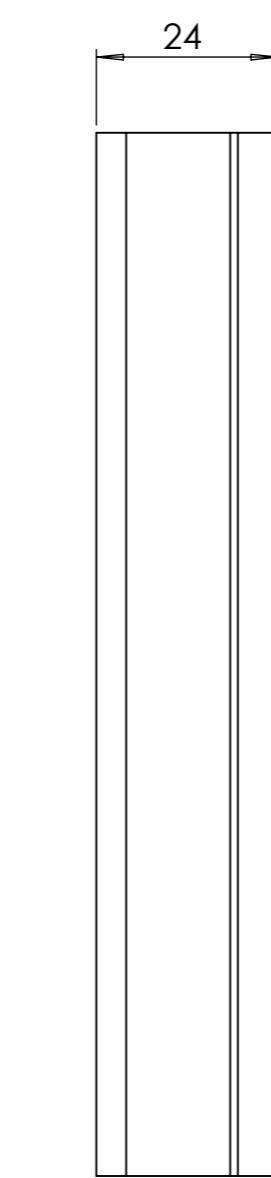
SURFACE-6 (INSIDE)



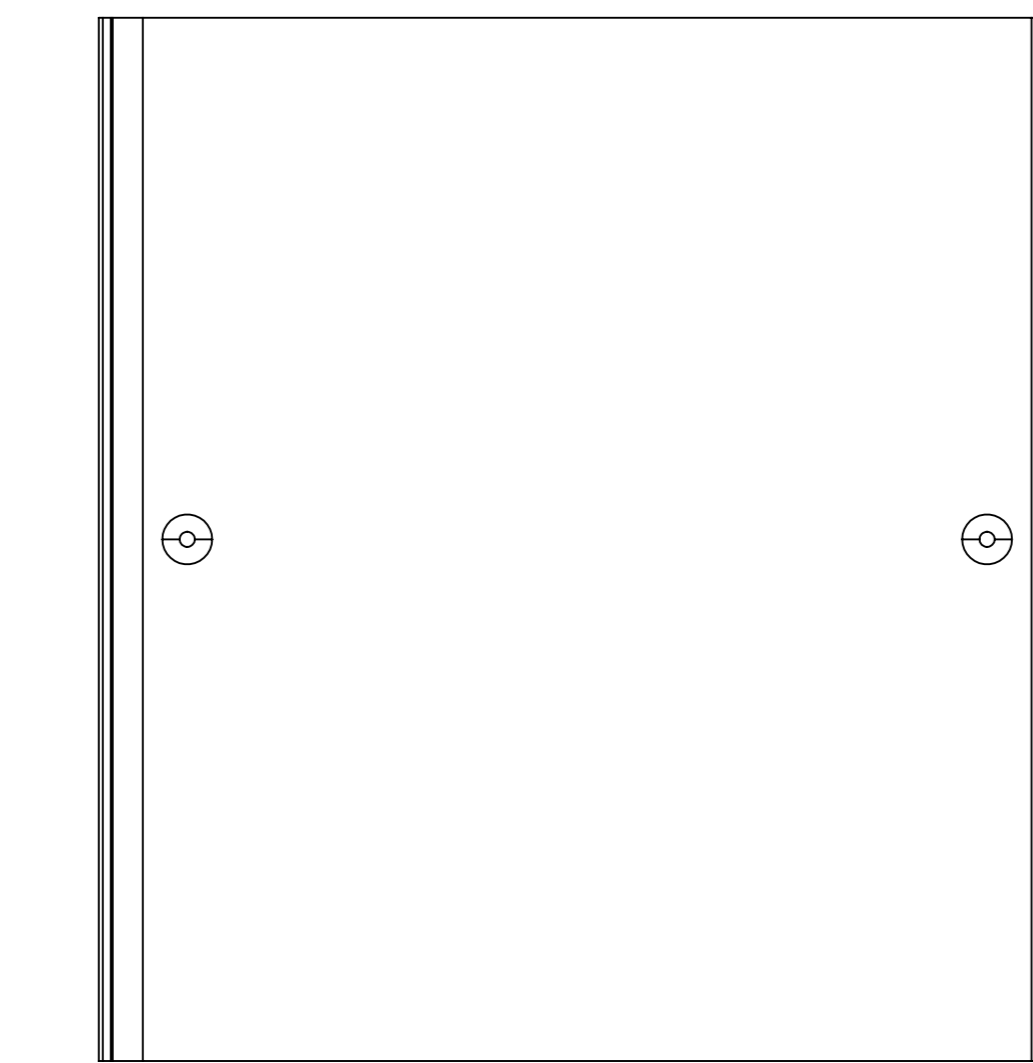
**COVER: 6 SURFACE**



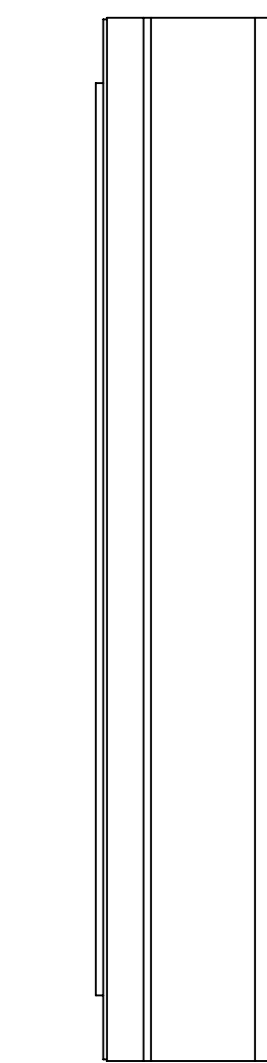
SURFACE-7



SURFACE-9



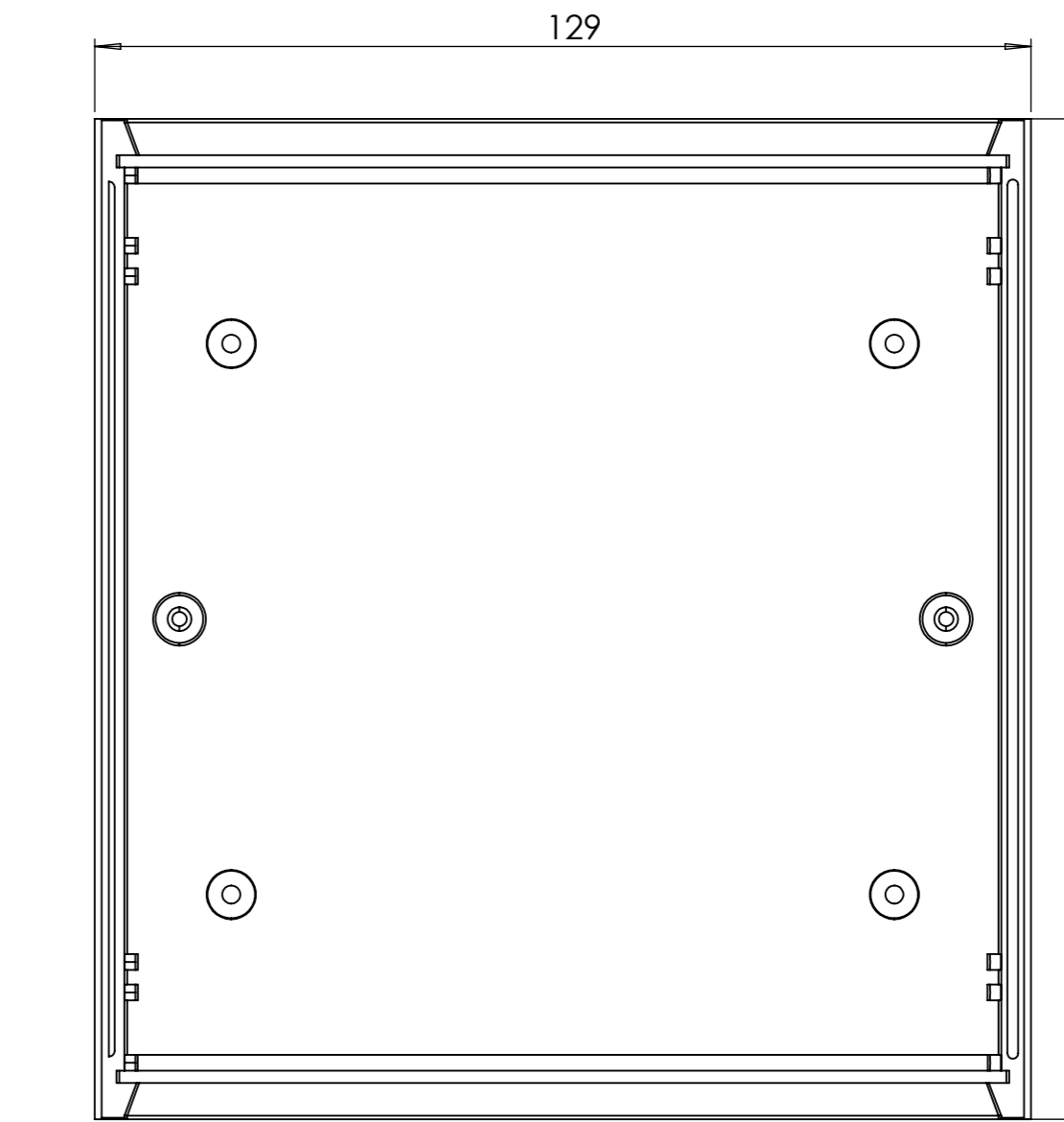
SURFACE-11



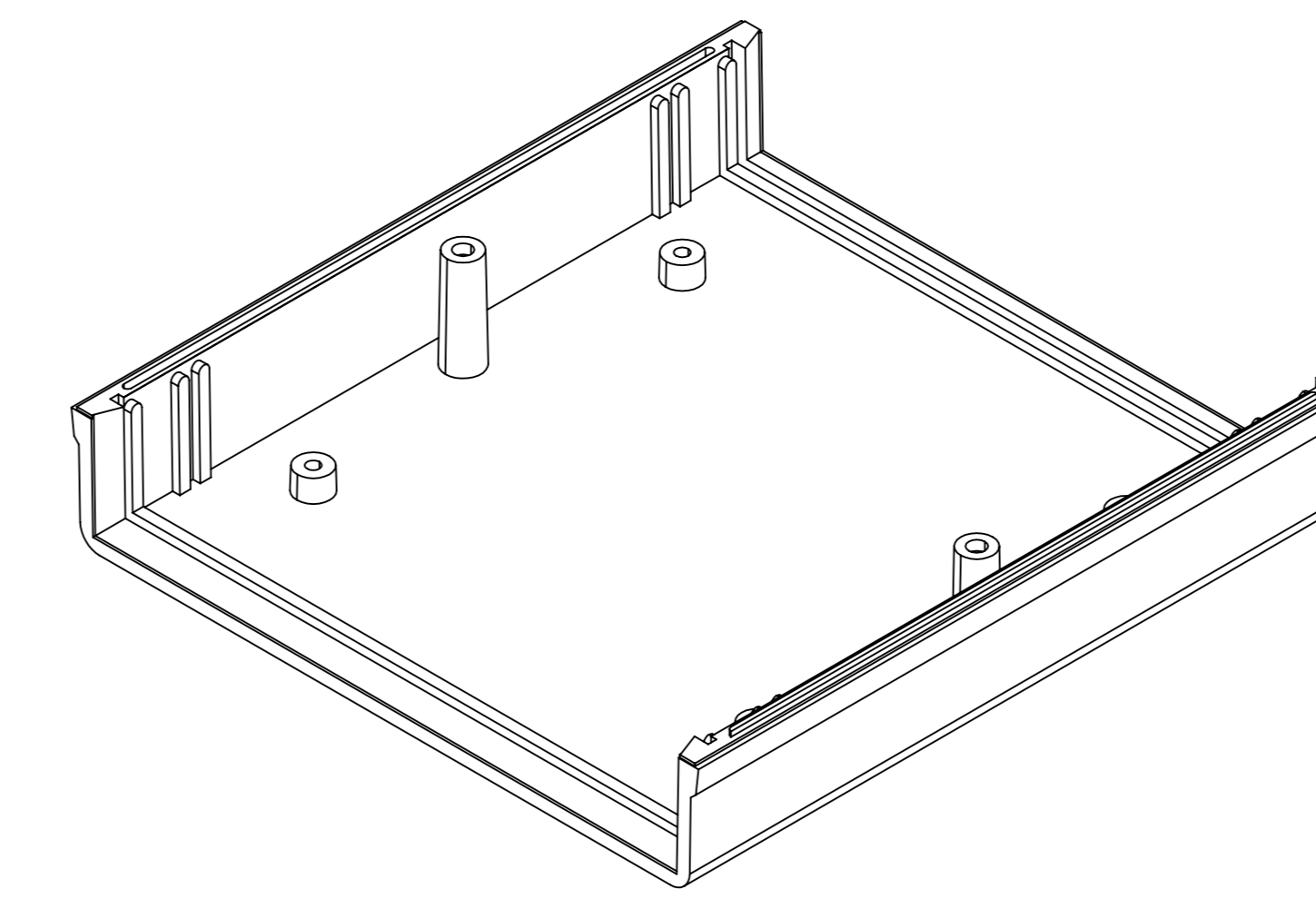
SURFACE-10



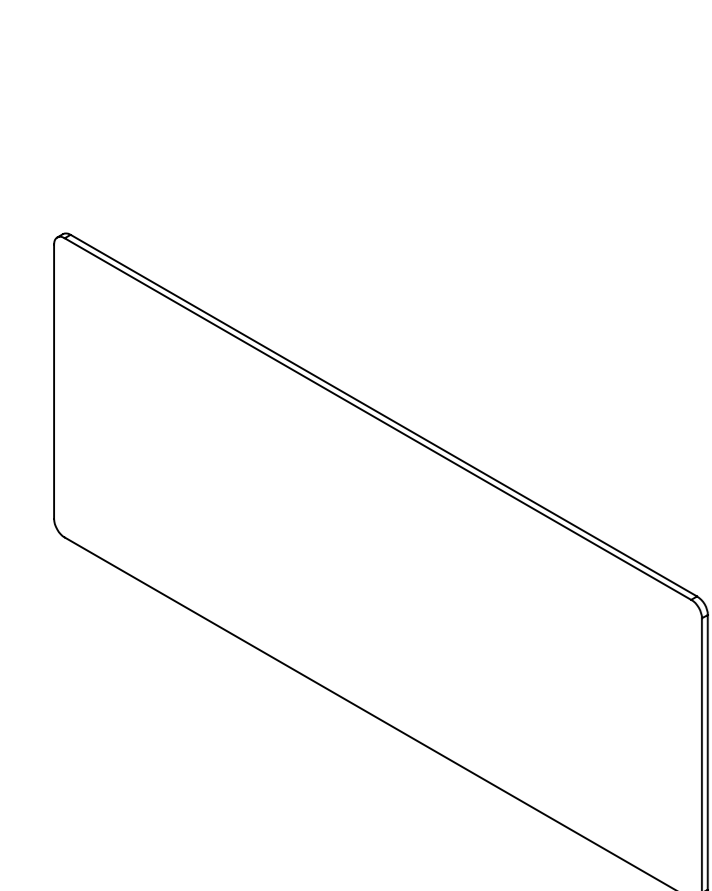
SURFACE-8



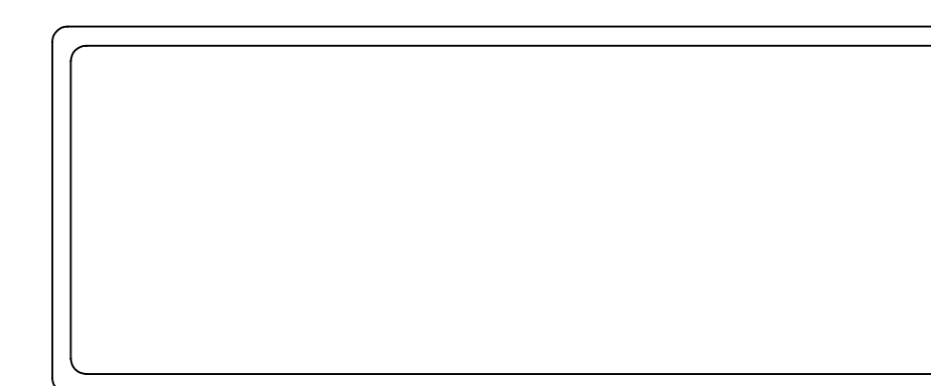
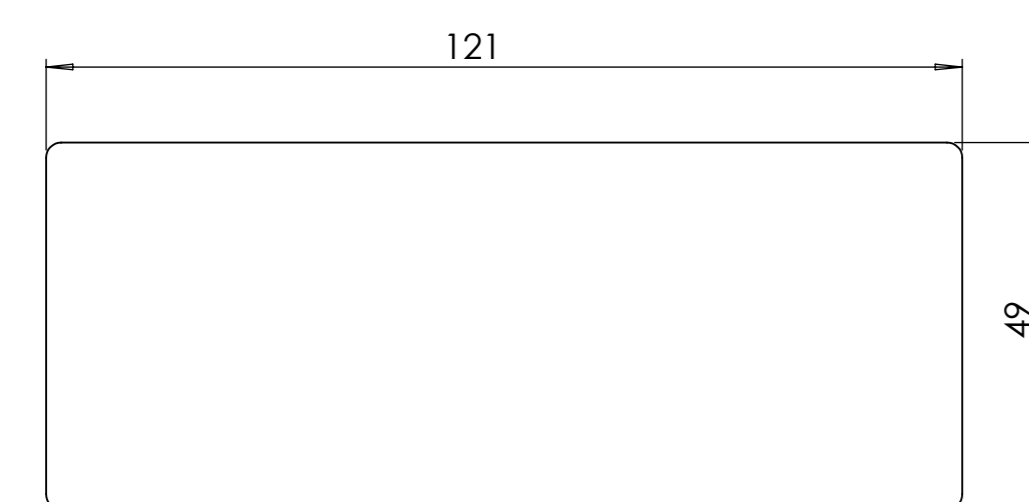
SURFACE-12 (INSIDE)



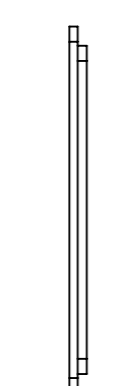
**PANEL-1: 2 SURFACE**



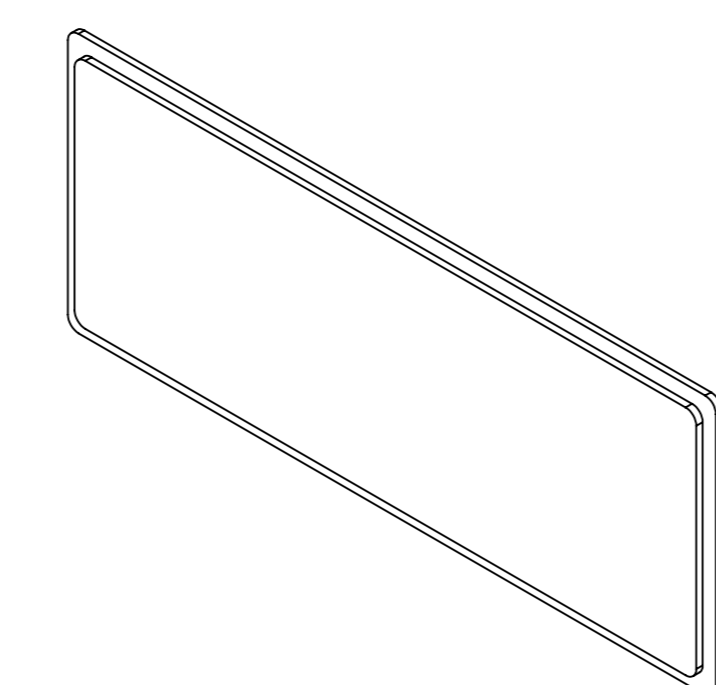
SURFACE-13



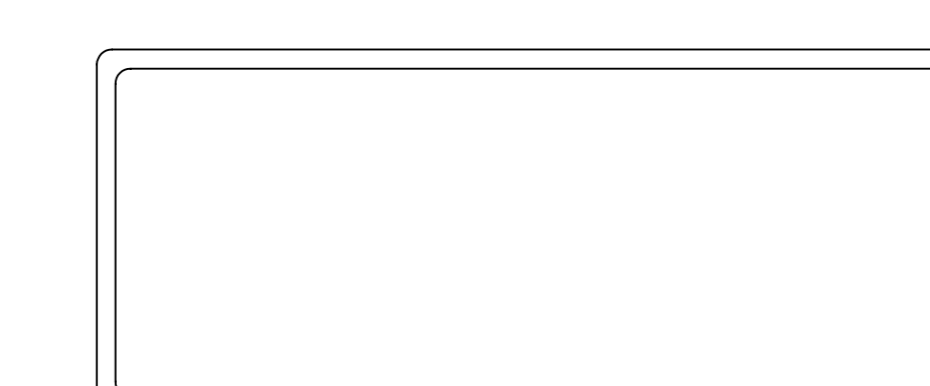
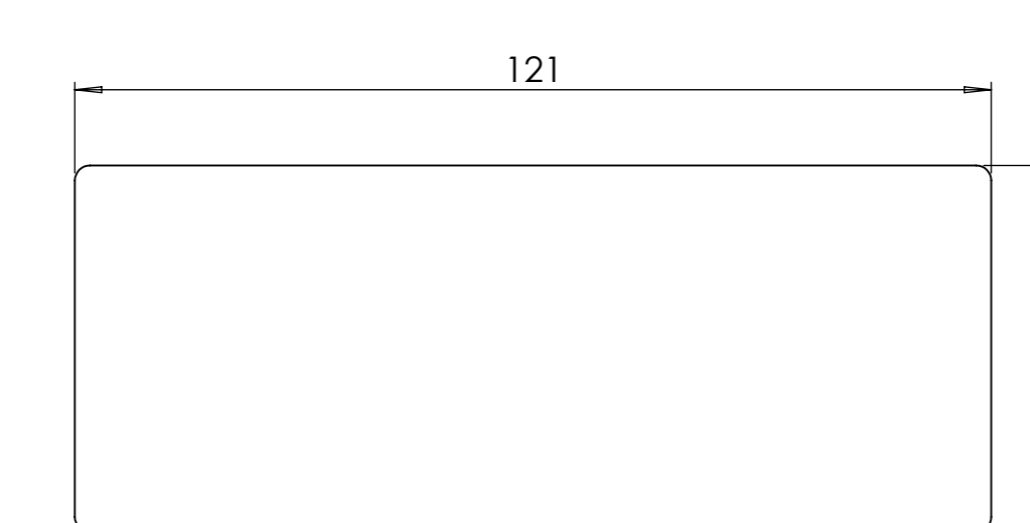
SURFACE-14



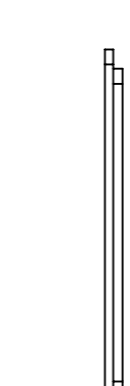
**PANEL-2: 2 SURFACE**



SURFACE-15

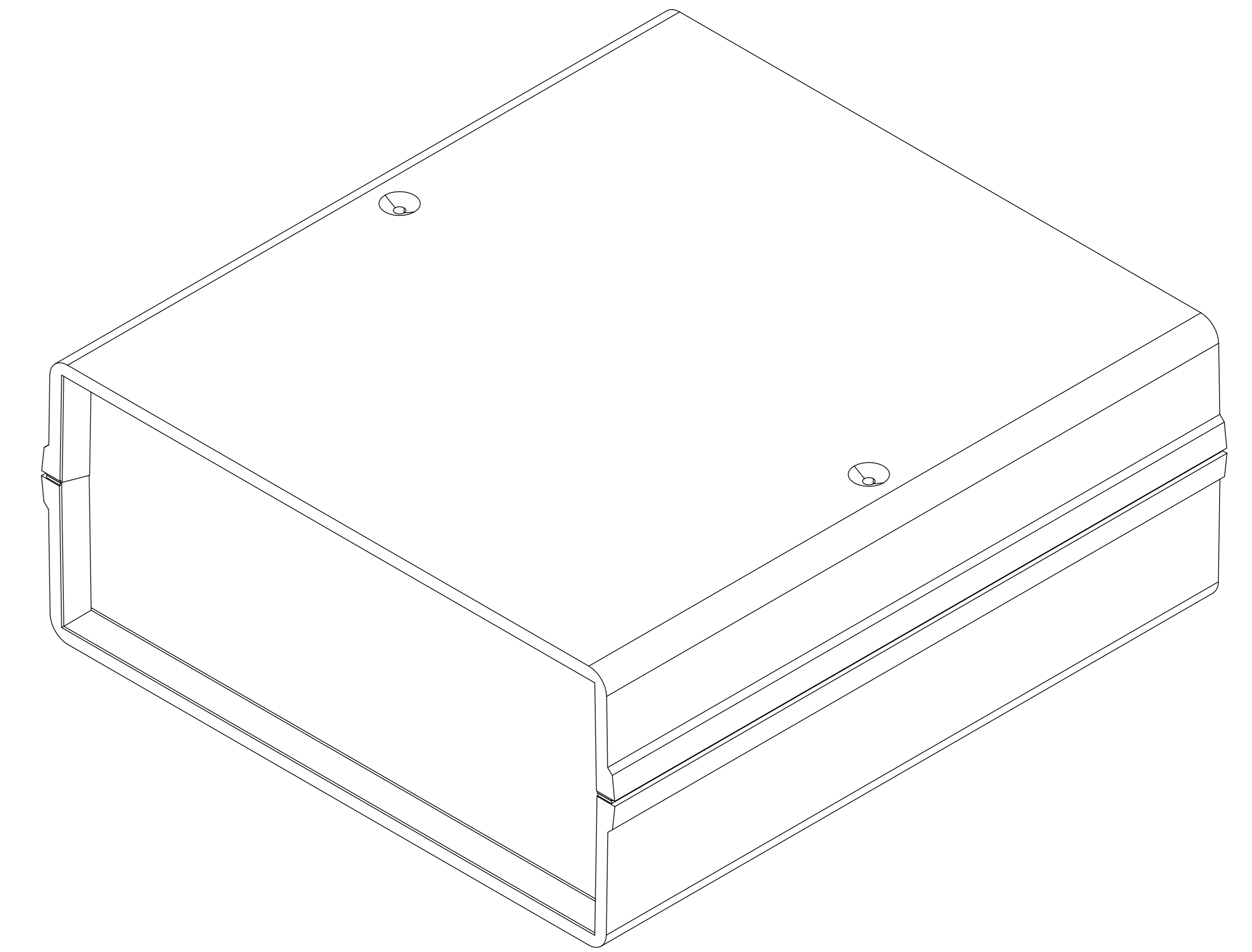
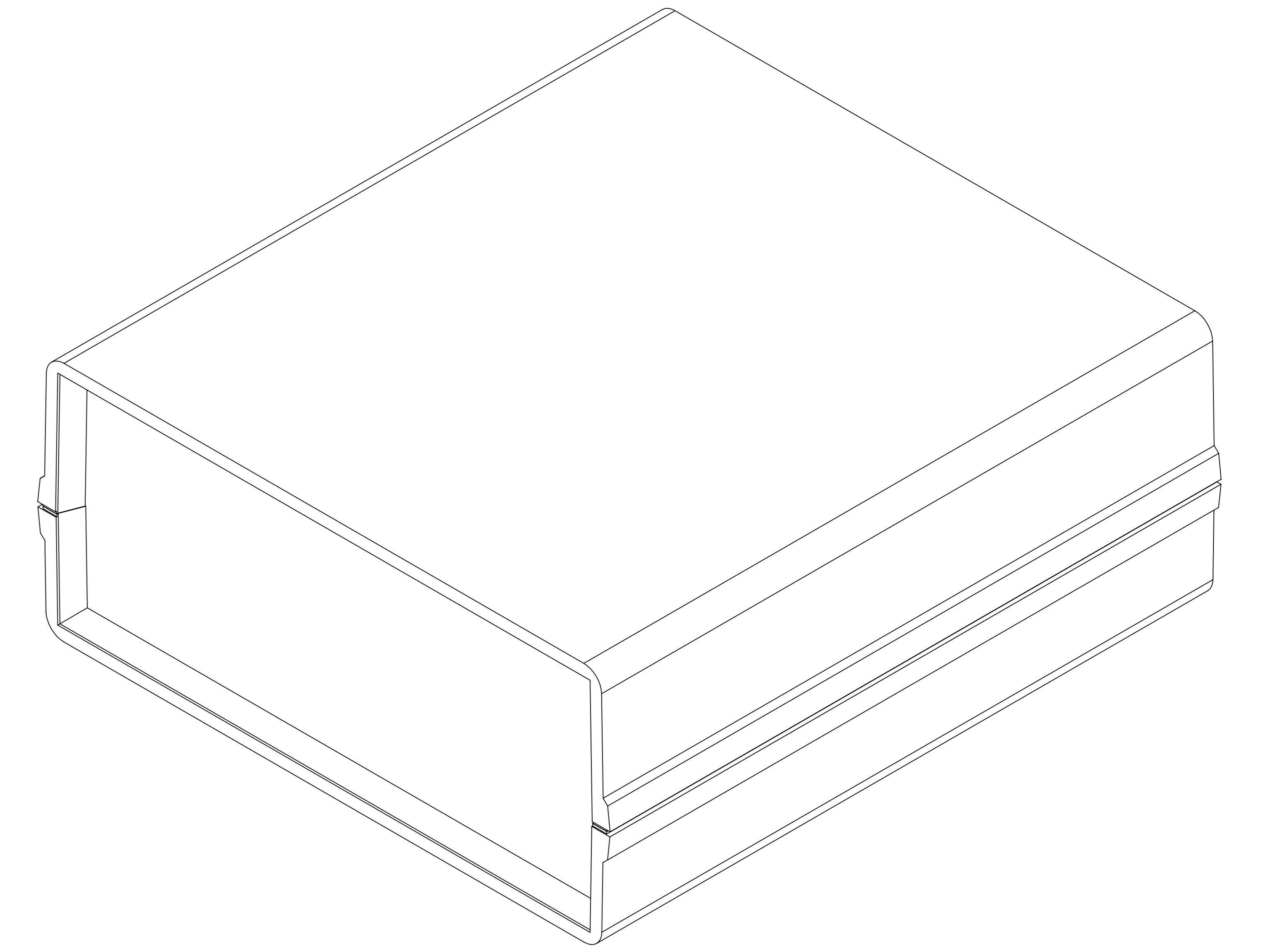
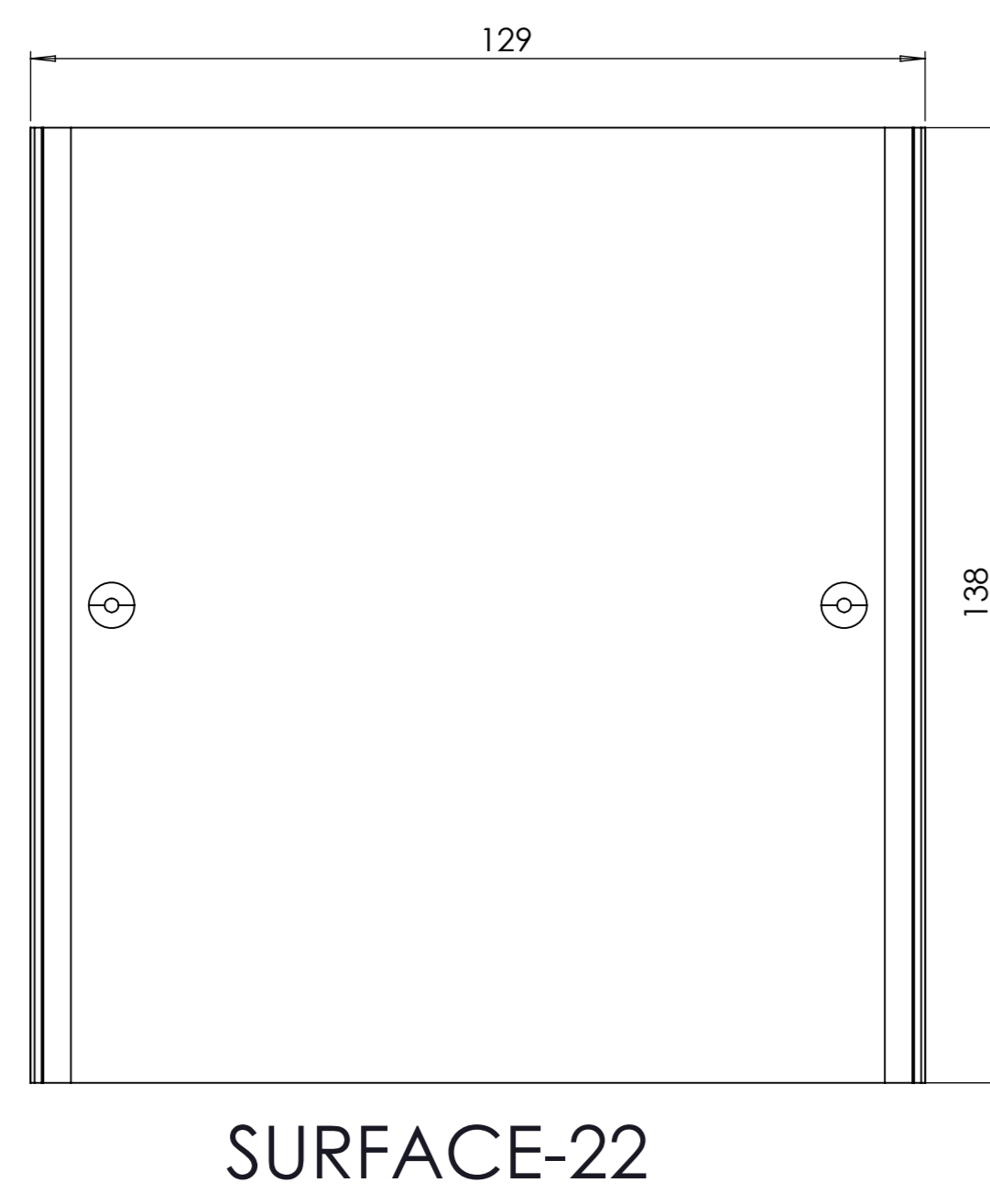
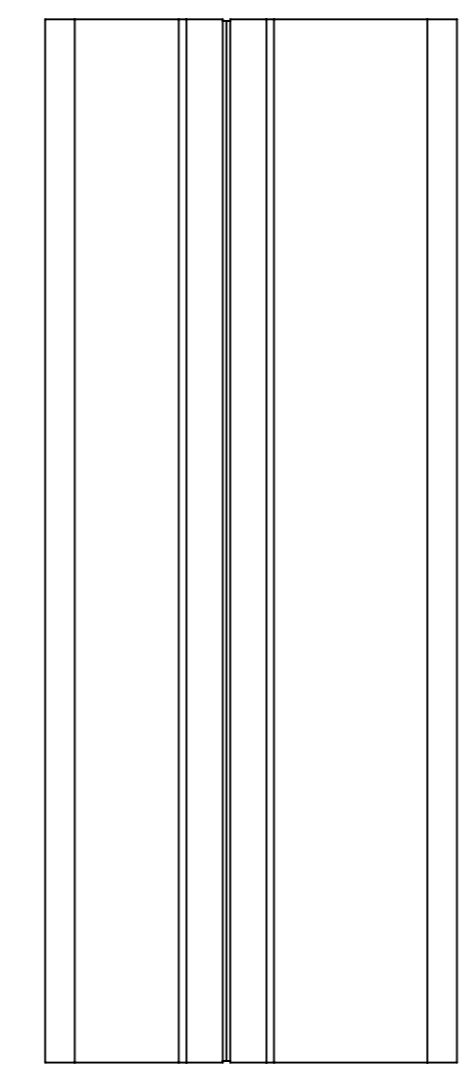
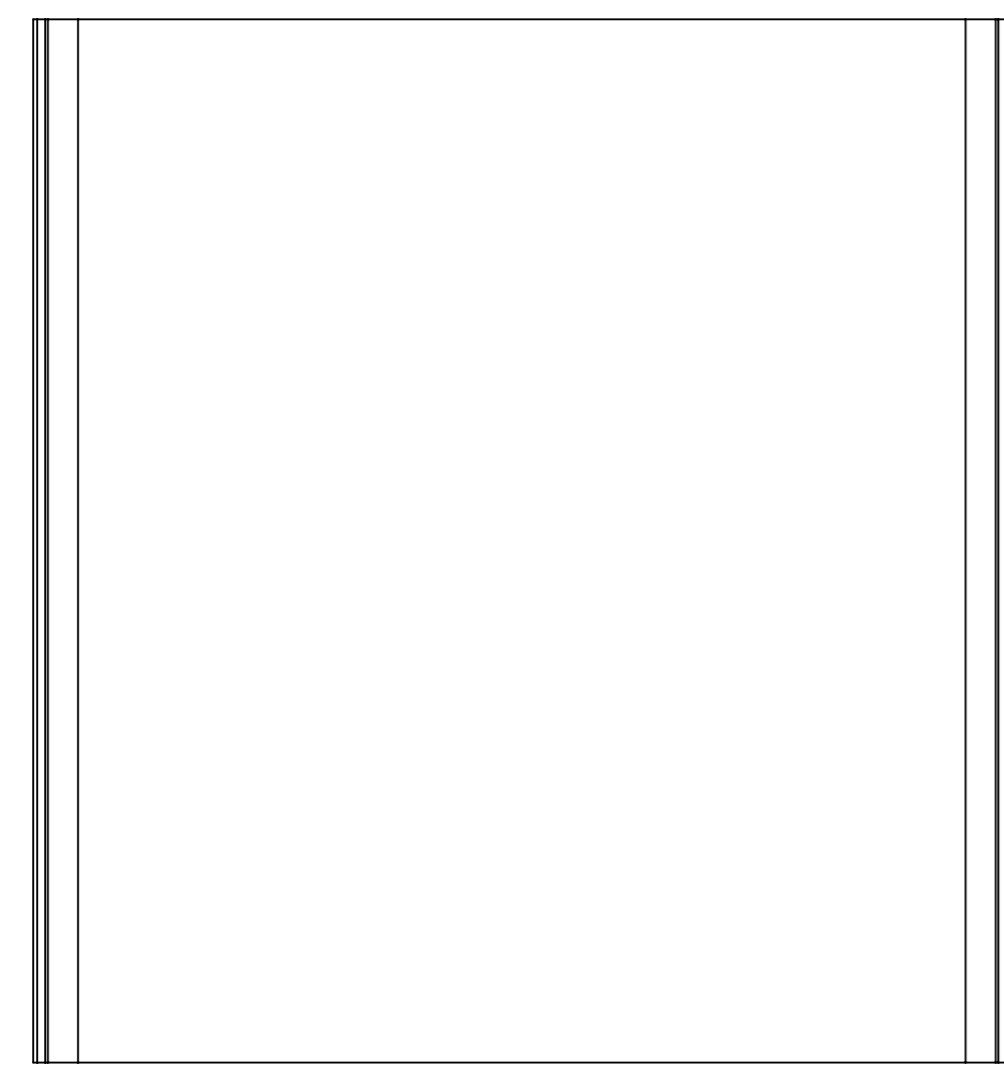
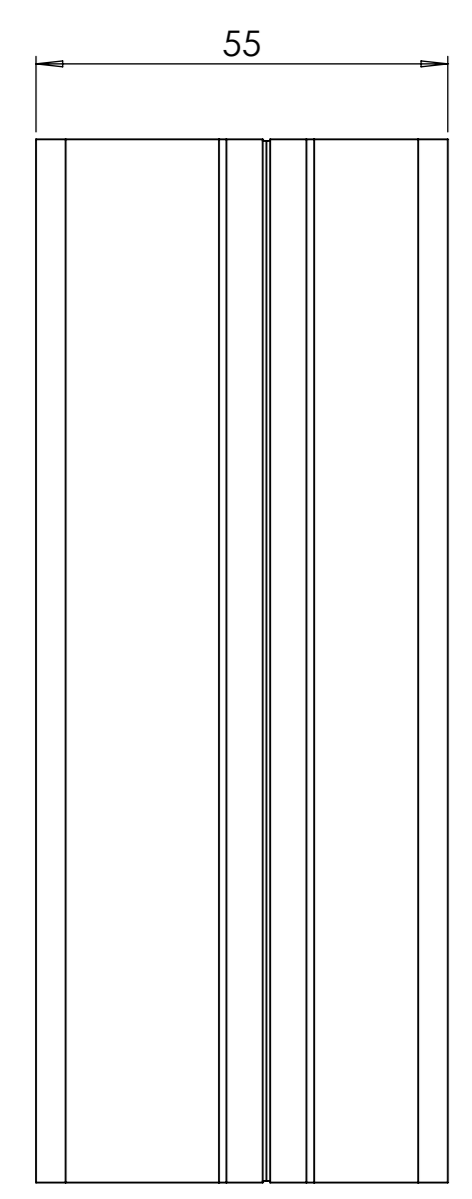



SURFACE-16



REV. NO	DATE	REVISED BY	DESCRIPTION OF CHANGE
 <b>ALTINKAYA</b> Electronic Enclosures & Components			
Customer Name :		Customer Ref. :	
Altinkaya Ref :		Part Name: DT-0508	
DRAWN	NAME	DATE	Drawn From:
CHECKED	Y.YEL	15.10.2024	Weight:
DIMENSIONAL TOLERANCES UNLESS OTHERWISE SPECIFIED (DIN7168)			UNIT: mm
	±0,1	±0,1	±0,2 ±0,3 ±0,5
	0,5-3mm	3-6mm	6-30mm 30-120mm 120-400mm
			Dimension(mm)

**DT-0508 IF MACHINED TOGETHER**



REV. NO	DATE	REVISED BY	DESCRIPTION OF CHANGE
 <b>ALTINKAYA</b> Electronic Enclosures & Components			<a href="http://www.altinkaya.com">www.altinkaya.com</a>
Customer Name :		Customer Ref. :	
Altinkaya Ref :		Part Name: DT-0508	
DRAWN	NAME	DATE	Drawn From:
CHECKED	Y.YEL	15.10.2024	Material:
DIMENSIONAL TOLERANCES UNLESS OTHERWISE SPECIFIED (DIN7168)			Weight:
±0,1	±0,1	±0,2	±0,3
±0,5	UNIT: mm		Dimension(mm)
m (medium)		S1	