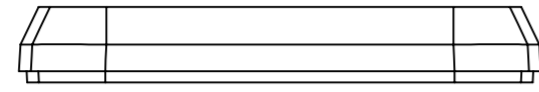


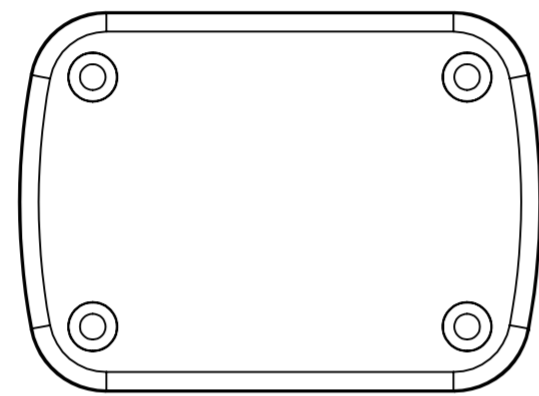
BASE: 6 SURFACE



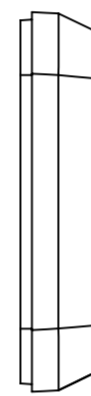
SURFACE-1



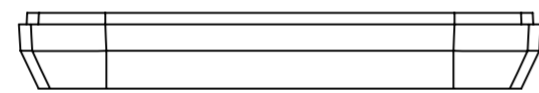
SURFACE-3



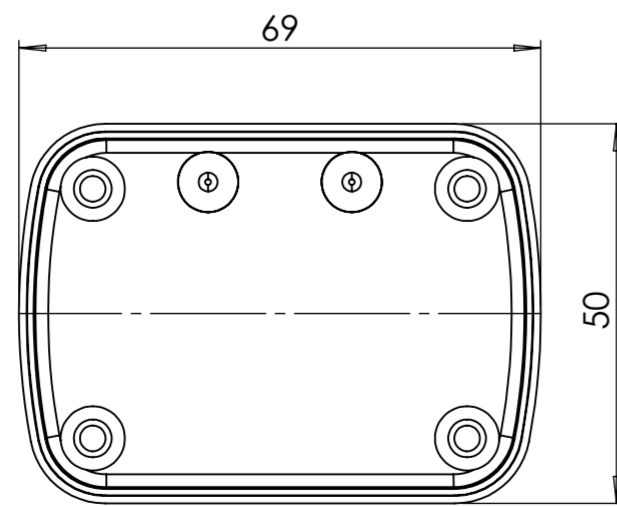
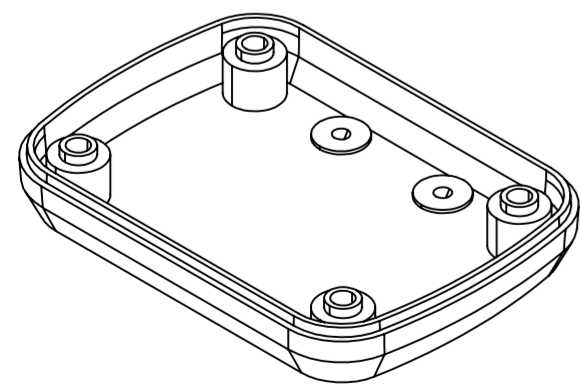
SURFACE-5



SURFACE-4

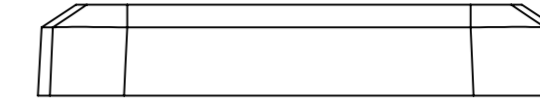


SURFACE-2

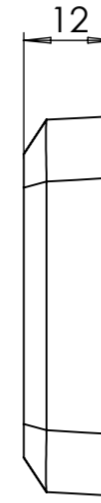


SURFACE-6 (INSIDE)

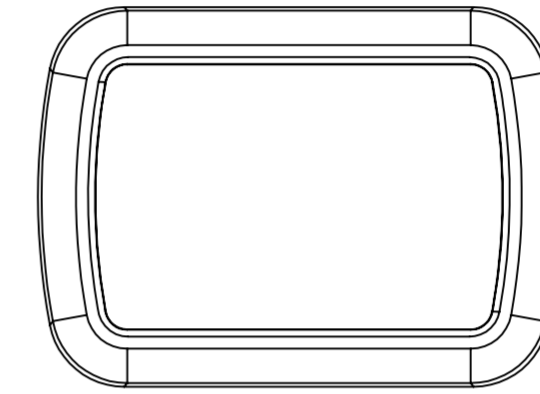
COVER: 6 SURFACE



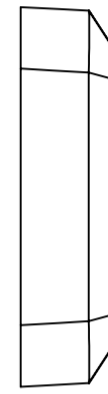
SURFACE-7



SURFACE-9



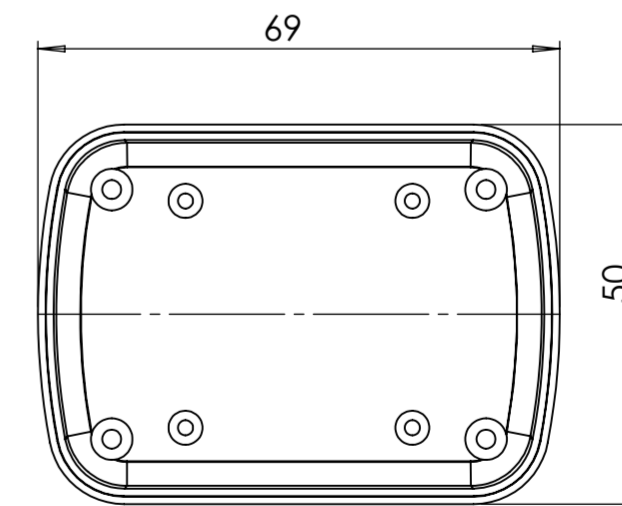
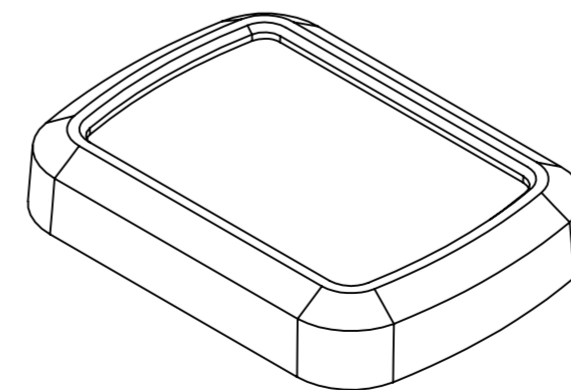
SURFACE-11




SURFACE-10



SURFACE-8



SURFACE-12 (INSIDE)

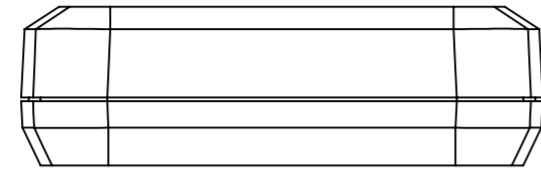
REV. NO	DATE	REVISED BY	DESCRIPTION OF CHANGE
 ALTINKAYA Electronic Enclosures & Components			www.altinkaya.com
Customer Name:		Customer Ref.:	
Altinkaya Ref.:		Part Name: HK-042	
DRAWN	NAME	DATE	Drawn From:
CHECKED	Y.YEL	17.07.2024	Material:
DIMENSIONAL TOLERANCES UNLESS OTHERWISE SPECIFIED (DIN 7148)			Weight:
	0,5-3mm	3-6mm	6-30mm
	±0,1	±0,1	±0,2
			±0,3
			±0,5
			m (medium)

SCALE: 1:1

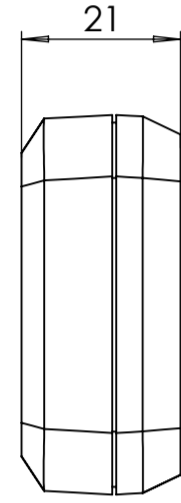
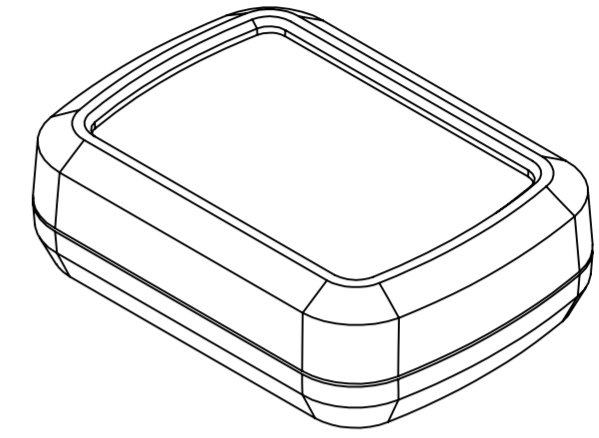
SHEET 1 OF 2

A2

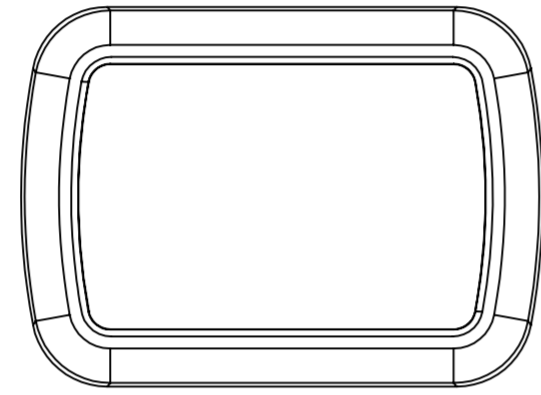
HH-042 MACHINED TOGETHER



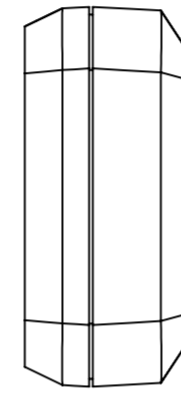
SURFACE-13



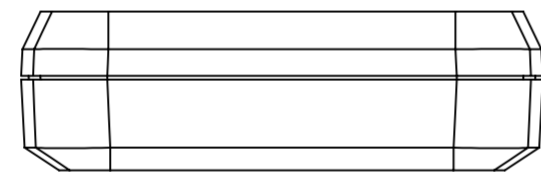
SURFACE-15



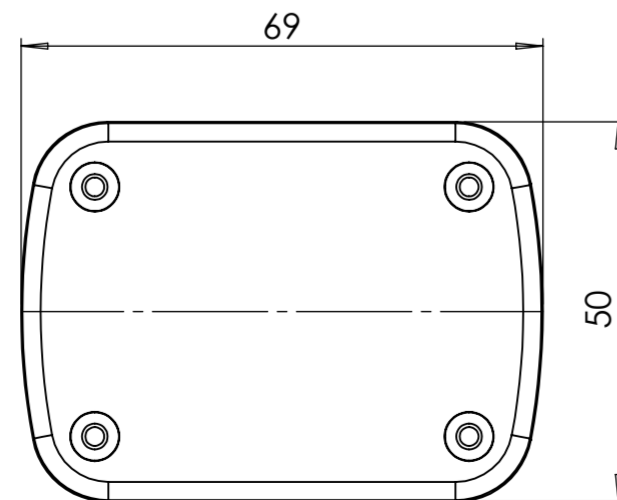
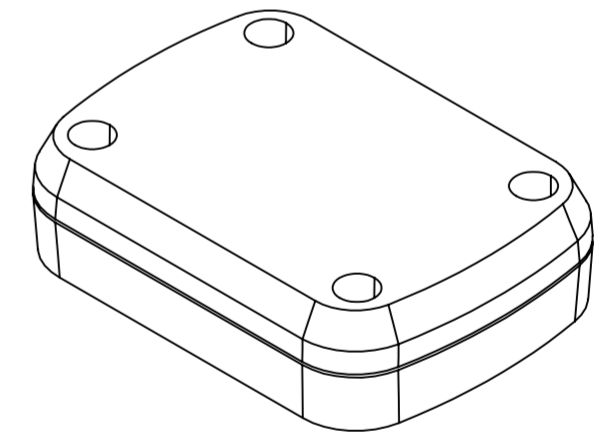
SURFACE-17



SURFACE-16



SURFACE-14



SURFACE-18

REV. NO	DATE	REVISED BY	DESCRIPTION OF CHANGE
ALTINKAYA Electronic Enclosures & Components			www.altinkaya.com
Customer Name:		Customer Ref.:	
Allinkaya Ref.:		Part Name: HH-042	
DRAWN	NAME	DATE	Drawn From:
	S.YESIL OZ	17.07.2024	Material:
CHECKED	Y.YEL	17.07.2024	Weight:
DIMENSIONAL TOLERANCES UNLESS OTHERWISE SPECIFIED (DIN 7148)			
	0,5-3mm	3-6mm	6-30mm
	±0,1	±0,1	±0,2
			±0,3
			±0,5
			mm (medium)

SCALE: 1:1

SHEET 2 OF 2

A2

