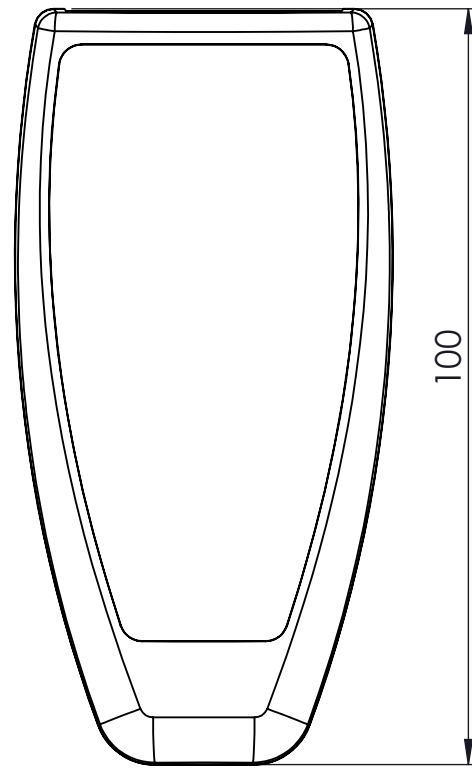
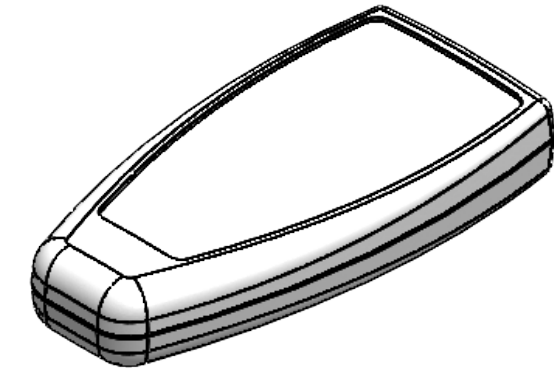
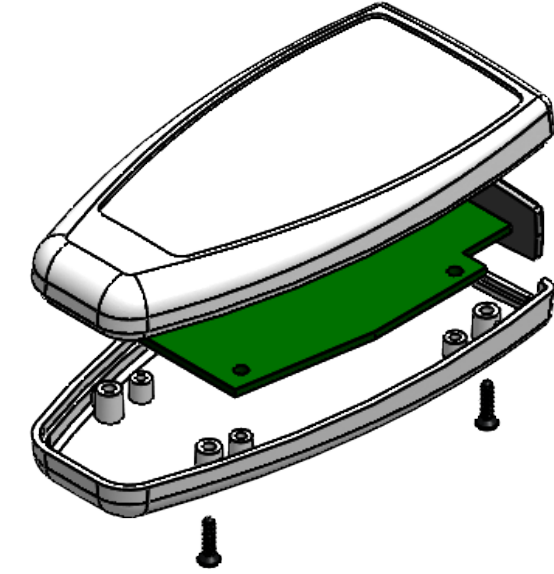


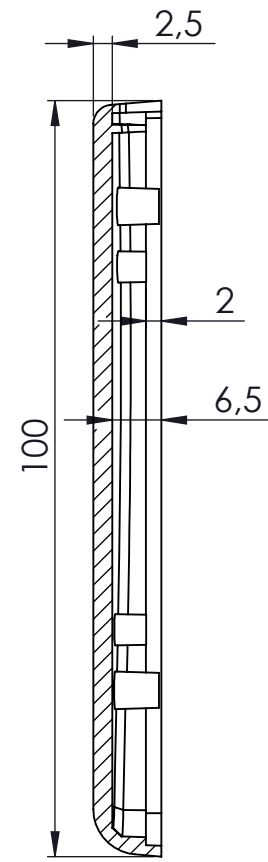
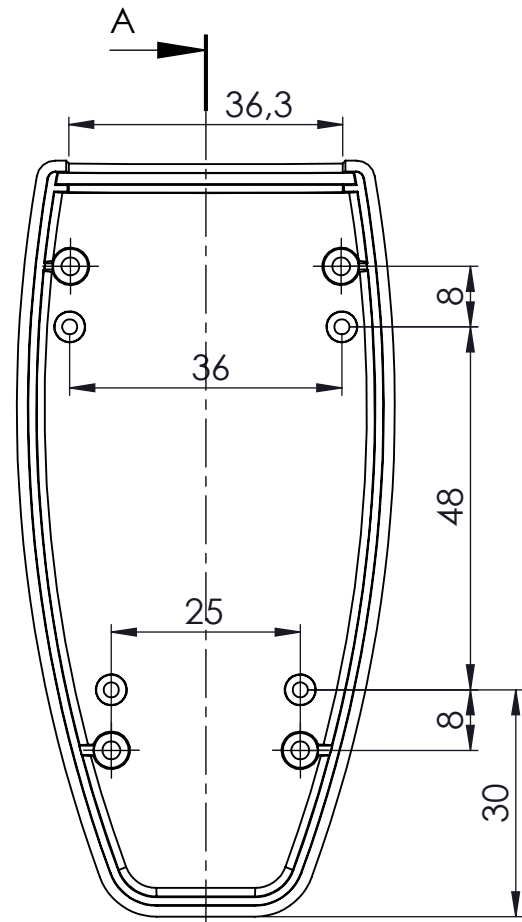


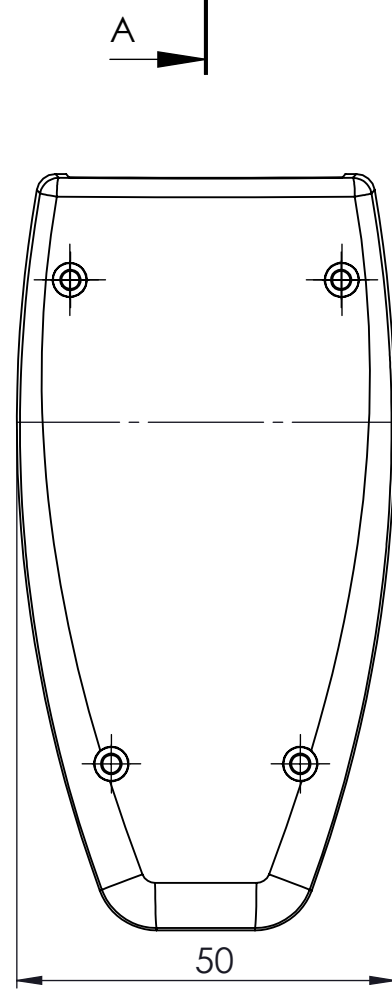
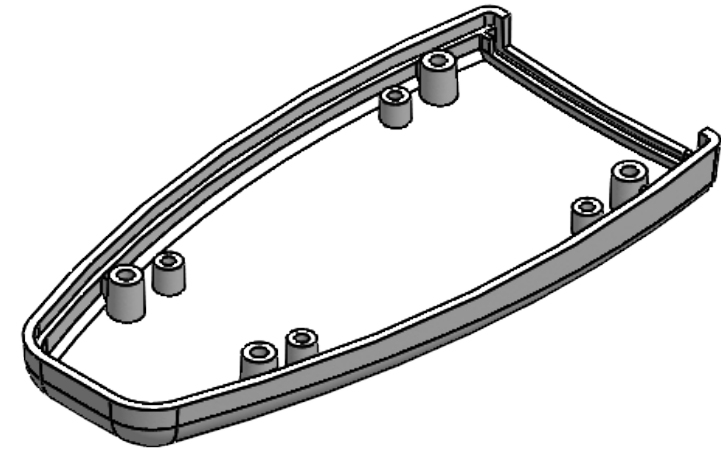
KESIT A-A




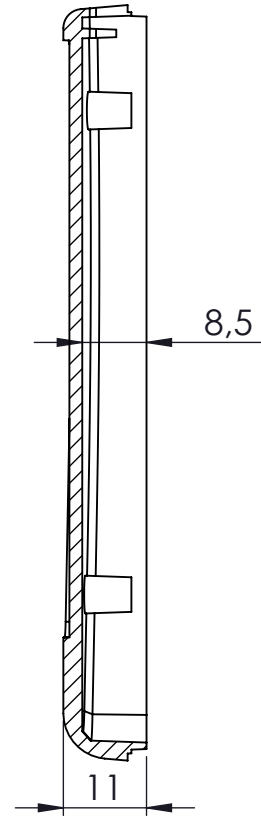
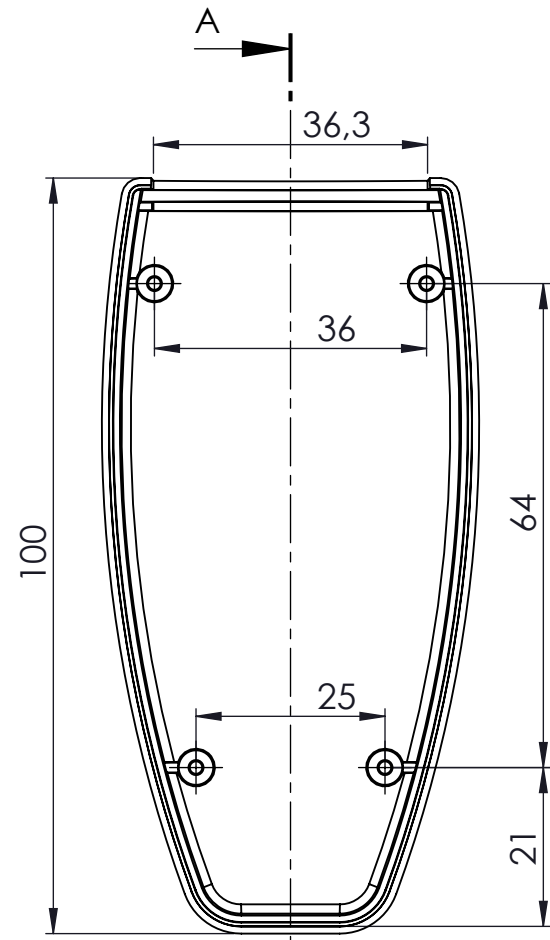
<small>PROPRIETARY AND CONFIDENTIAL THE INFORMATION CONTAINED IN THIS DRAWING IS THE SOLE PROPERTY OF ALTINKAYA ENCLOSURES. ANY REPRODUCTION IN PART OR AS A WHOLE WITHOUT THE WRITTEN PERMISSION OF ALTINKAYA ENCLOSURES IS PROHIBITED.</small>			ARTICLE NO:	REVISION:
<small>DRAWN</small> Dursun Daşdemir				CONTACT: <a href="http://www.altinkaya.com.tr">www.altinkaya.com.tr</a>
<small>CHECKED</small> Ali Altınışık				TITLE:
<small>COMMENTS:</small>			DWG NO.	A3
<small>MATERIAL:</small>			HH-066	
<small>WEIGHT:</small>			SCALE:1:1	SHEET 1 OF 1



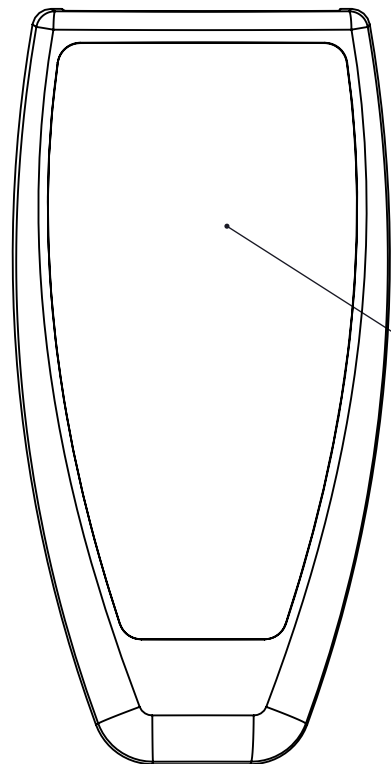
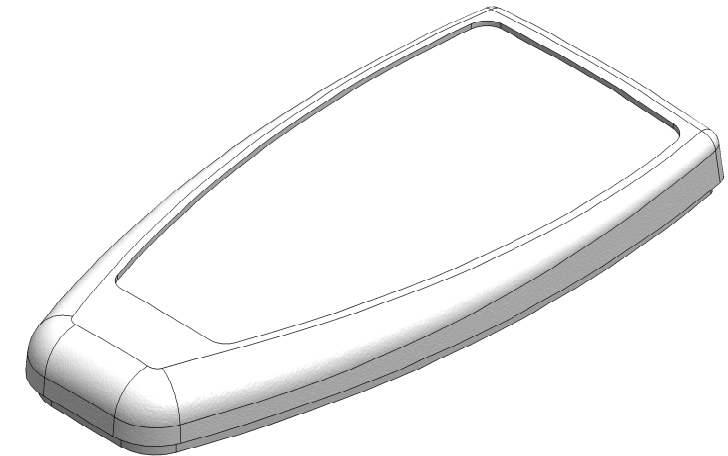
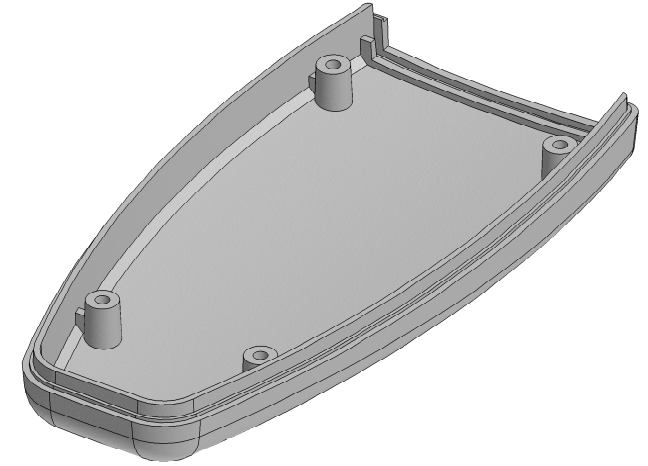
KESIT A-A




<small>PROPRIETARY AND CONFIDENTIAL THE INFORMATION CONTAINED IN THIS DRAWING IS THE SOLE PROPERTY OF ALTINKAYA ENCLOSURES. ANY REPRODUCTION IN PART OR AS A WHOLE WITHOUT THE WRITTEN PERMISSION OF ALTINKAYA ENCLOSURES IS PROHIBITED.</small>			ARTICLE NO:	REVISION:
<small>DRAWN</small> Dursun Daşdemir			 <b>ALTINKAYA</b> ENCLOSURES FOR ELECTRONICS	CONTACT: <a href="http://www.altinkaya.com.tr">www.altinkaya.com.tr</a>
<small>CHECKED</small> Ali Altınışık				TITLE:
<small>COMMENTS:</small>			<small>DWG NO.</small> <b>HH-066-P-1</b>	
<small>MATERIAL:</small>			<small>A3</small>	
<small>WEIGHT:</small>			<small>SCALE:1:1</small>	<small>SHEET 1 OF 1</small>



KESIT A-A



etiket cebi

<small>PROPRIETARY AND CONFIDENTIAL THE INFORMATION CONTAINED IN THIS DRAWING IS THE SOLE PROPERTY OF ALTINKAYA ENCLOSURES. ANY REPRODUCTION IN PART OR AS A WHOLE WITHOUT THE WRITTEN PERMISSION OF ALTINKAYA ENCLOSURES IS PROHIBITED.</small>		ARTICLE NO:	REVISION:
<small>DRAWN</small> Dursun Daşdemir		 <b>ALTINKAYA</b> ENCLOSURES FOR ELECTRONICS	<small>CONTACT:</small> <a href="http://www.altinkaya.com.tr">www.altinkaya.com.tr</a>
<small>CHECKED</small> Ali Altınışık		<small>TITLE:</small>	
<small>COMMENTS:</small>		<small>DWG NO.</small> <b>HH-066-P-2</b>	
<small>MATERIAL:</small>		<small>A3</small>	
<small>WEIGHT:</small>		<small>SCALE:1:1</small>	<small>SHEET 1 OF 1</small>

1

2

3

4

A

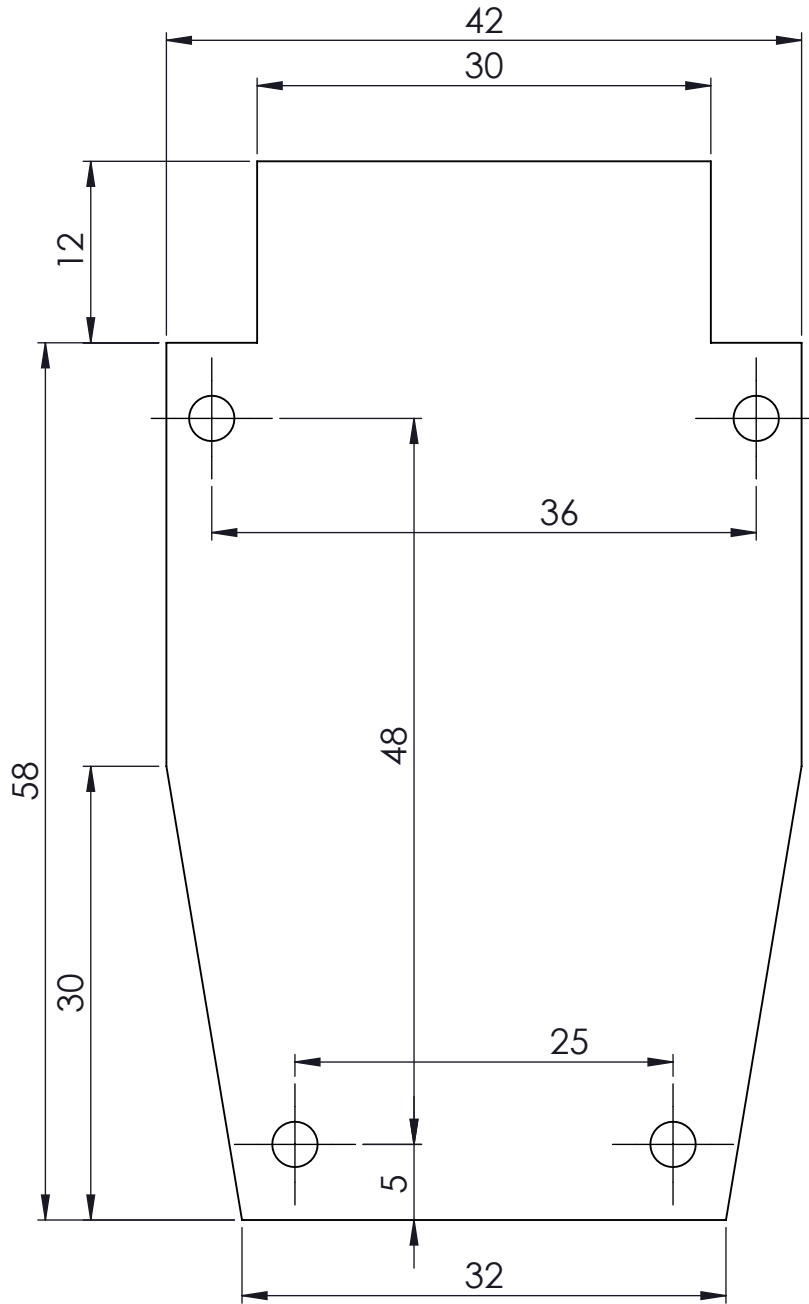
B


C

D

E

F



	NAME	DATE	ARTICLE NO:	REVISION:	TITLE:
DRAWN	Dursun Daşdemir				
CHECKED	Ali Altınışık		COMMENTS: DIMENSIONS ARE IN MILLIMETERS, DEBUR AND BREAK SHARP EDGES		
 <b>ALTINKAYA</b> ENCLOSURES FOR ELECTRONICS <a href="http://www.altinkaya.com.tr">www.altinkaya.com.tr</a>			DWG NO.		A4
<b>PROPRIETARY AND CONFIDENTIAL</b> THE INFORMATION CONTAINED IN THIS DRAWING IS THE SOLE PROPERTY OF ALTINKAYA ENCLOSURES. ANY REPRODUCTION IN PART OR AS A WHOLE WITHOUT THE WRITTEN PERMISSION OF ALTINKAYA ENCLOSURES IS PROHIBITED.			pcb_sample		
MATERIAL:			WEIGHT:	SCALE:2:1	SHEET 1 OF 1

