

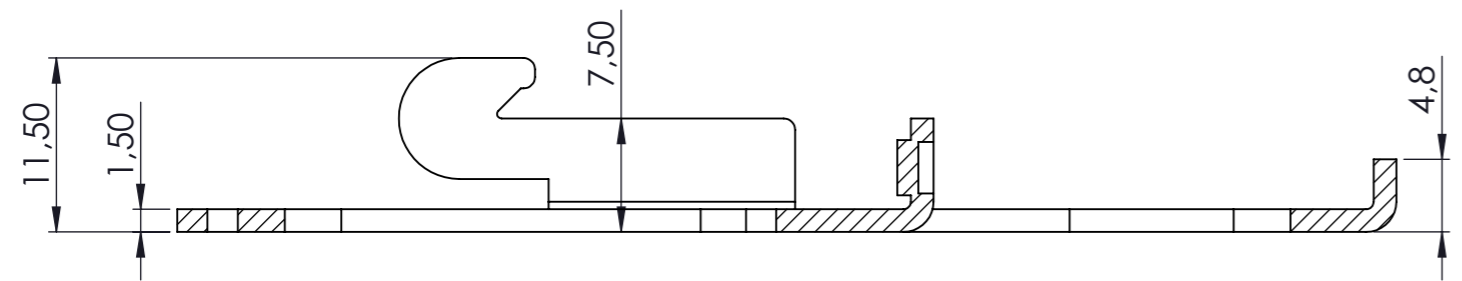
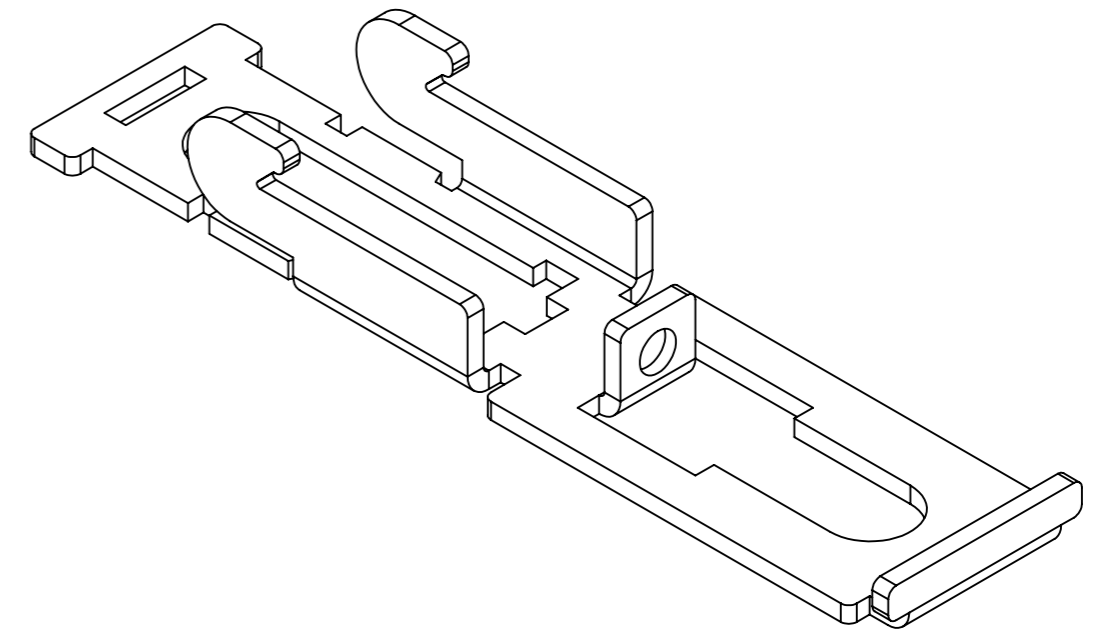
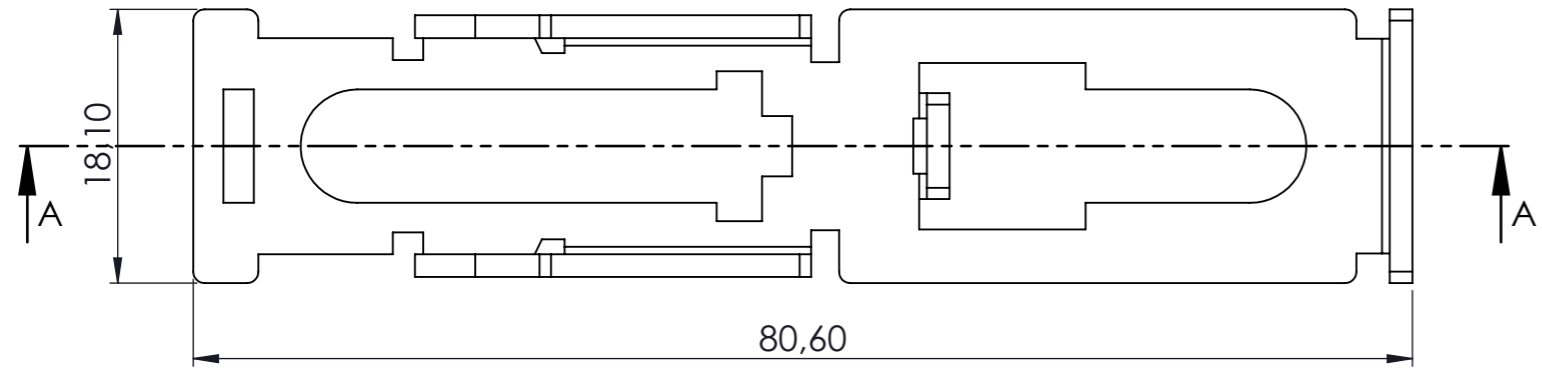



PROPRIETARY AND CONFIDENTIAL THE INFORMATION CONTAINED IN THIS DRAWING IS THE SOLE PROPERTY OF ALTINKAYA ENCLOSURES. ANY REPRODUCTION IN PART OR AS A WHOLE WITHOUT THE WRITTEN PERMISSION OF ALTINKAYA ENCLOSURES IS PROHIBITED.			ARTICLE NO:	REVISION:						
<table border="1"> <thead> <tr> <th>NAME</th> <th>DATE</th> </tr> </thead> <tbody> <tr> <td>Dursun Daşdemir</td> <td>13.05.15</td> </tr> <tr> <td>Ali Altınışık</td> <td>13.05.15</td> </tr> </tbody> </table>			NAME	DATE	Dursun Daşdemir	13.05.15	Ali Altınışık	13.05.15	 ENCLOSURES FOR ELECTRONICS	CONTACT: <a href="http://www.altinkaya.com.tr">www.altinkaya.com.tr</a>
NAME	DATE									
Dursun Daşdemir	13.05.15									
Ali Altınışık	13.05.15									
DRAWN: Dursun Daşdemir, 13.05.15 CHECKED: Ali Altınışık, 13.05.15 COMMENTS:			TITLE:							
MATERIAL:			DWG NO. <b>A-117-P-1</b>							
WEIGHT:			SCALE: 2:1	A3 						
			SHEET 1 OF 1							



KESIT A-A



<small>PROPRIETARY AND CONFIDENTIAL THE INFORMATION CONTAINED IN THIS DRAWING IS THE SOLE PROPERTY OF ALTINKAYA ENCLOSURES. ANY REPRODUCTION IN PART OR AS A WHOLE WITHOUT THE WRITTEN PERMISSION OF ALTINKAYA ENCLOSURES IS PROHIBITED.</small>			ARTICLE NO.	REVISION:						
<table border="1"> <thead> <tr> <th>NAME</th> <th>DATE</th> </tr> </thead> <tbody> <tr> <td>DRAWN Dursun Daşdemir</td> <td>13.05.15</td> </tr> <tr> <td>CHECKED Ali Altınışık</td> <td>13.05.15</td> </tr> </tbody> </table>			NAME	DATE	DRAWN Dursun Daşdemir	13.05.15	CHECKED Ali Altınışık	13.05.15	 ENCLOSURES FOR ELECTRONICS	CONTACT: <a href="http://www.altinkaya.com.tr">www.altinkaya.com.tr</a>
NAME	DATE									
DRAWN Dursun Daşdemir	13.05.15									
CHECKED Ali Altınışık	13.05.15									
COMMENTS:			TITLE:							
MATERIAL:			DWG NO. <b>A-117-P-2</b>							
WEIGHT:			SCALE: 2:1	SHEET 1 OF 1						

A3

