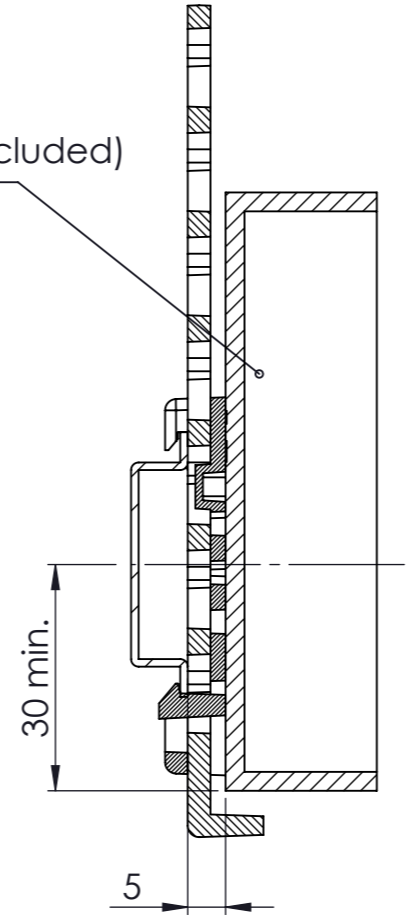
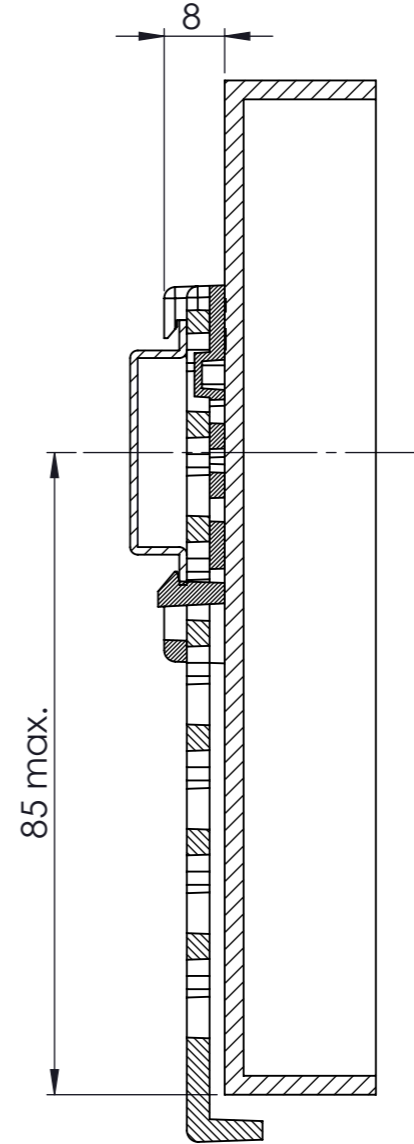

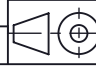


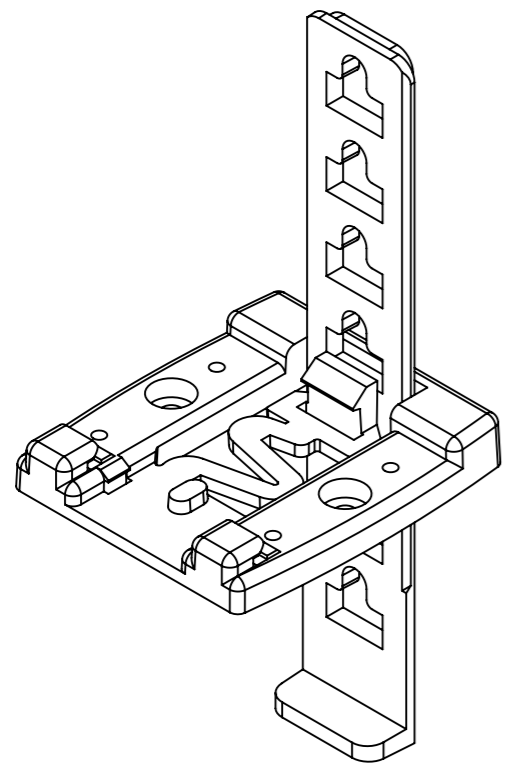
Enclosure (Not Included)



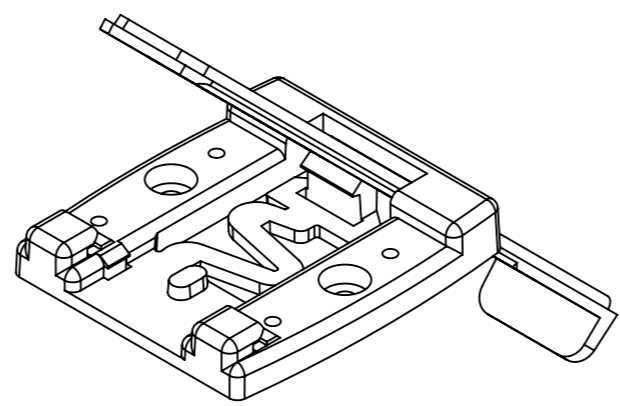
KESIT A-A



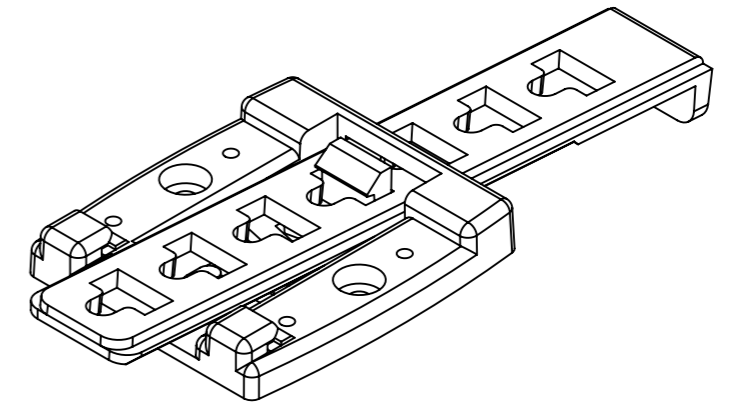
<small>PROPRIETARY AND CONFIDENTIAL THE INFORMATION CONTAINED IN THIS DRAWING IS THE SOLE PROPERTY OF ALTINKAYA ENCLOSURES. ANY REPRODUCTION IN PART OR AS A WHOLE WITHOUT THE WRITTEN PERMISSION OF ALTINKAYA ENCLOSURES IS PROHIBITED.</small>			ARTICLE NO:	REVISION:
<small>DRAWN</small> Dursun Daşdemir 29.12.10 <small>CHECKED</small> Ali Altınışık 29.12.10 <small>COMMENTS:</small> <small>MATERIAL:</small> <small>WEIGHT:</small>			 ALTINKAYA <small>ENCLOSURES FOR ELECTRONICS</small>	<small>CONTACT:</small> www.altinkaya.com.tr
			<small>TITLE:</small> <h2>DIN Rayı Montaj Aparatı</h2>	
			<small>DWG NO.</small> <h1>A-116-0-0-S-0</h1>	<small>A3</small> 
			<small>SCALE:</small> 1:1	<small>SHEET</small> 1 OF 2



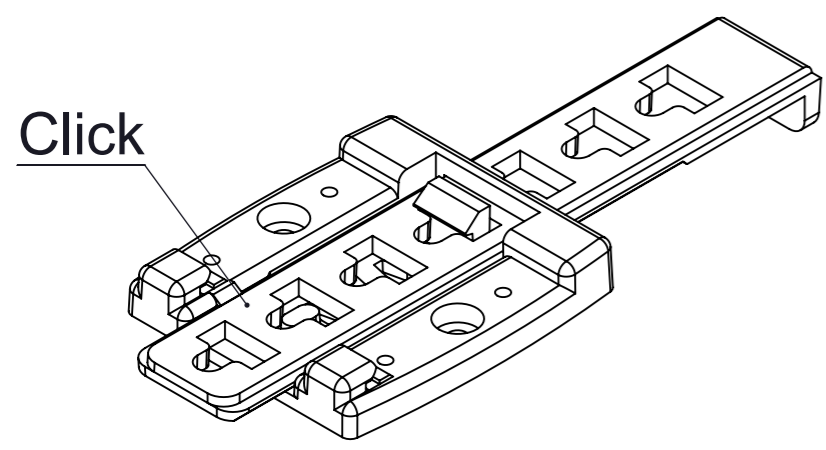
1



2

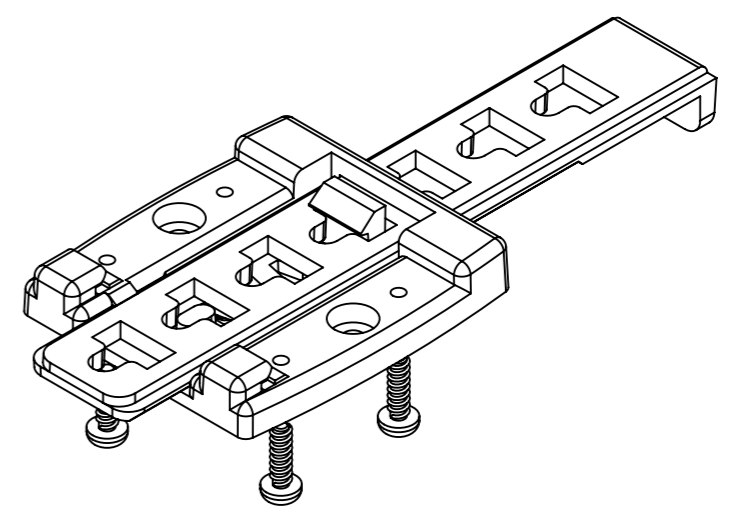
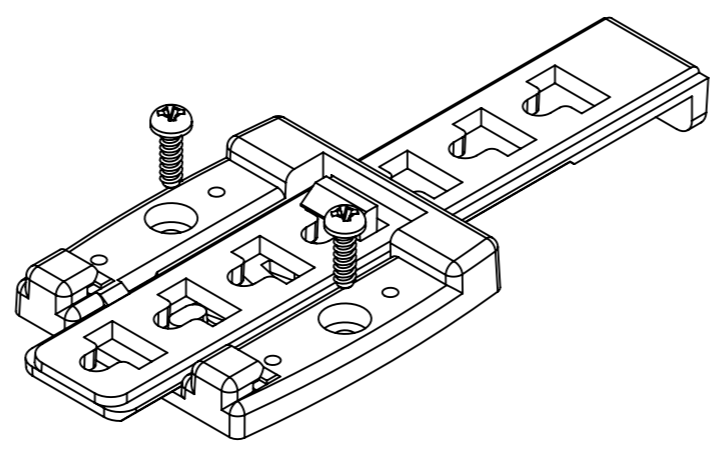


3



Click

4



PROPRIETARY AND CONFIDENTIAL
THE INFORMATION CONTAINED IN THIS
DRAWING IS THE SOLE PROPERTY OF
ALTINKAYA ENCLOSURES. ANY
REPRODUCTION IN PART OR AS A WHOLE
WITHOUT THE WRITTEN PERMISSION OF
ALTINKAYA ENCLOSURES IS PROHIBITED.

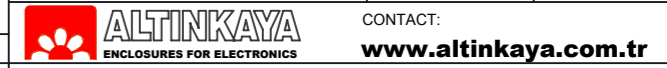
NAME	DATE
DRAWN Dursun Daşdemir	
CHECKED Ali Altınışık	

COMMENTS:

MATERIAL:

WEIGHT:

ARTICLE NO. _____ REVISION: _____



TITLE: **Assembly Instructions**

DWG NO. **A-116-0-0-S-0** A3

SCALE:1:1 SHEET 2 OF 2