

1

2

3

4

A

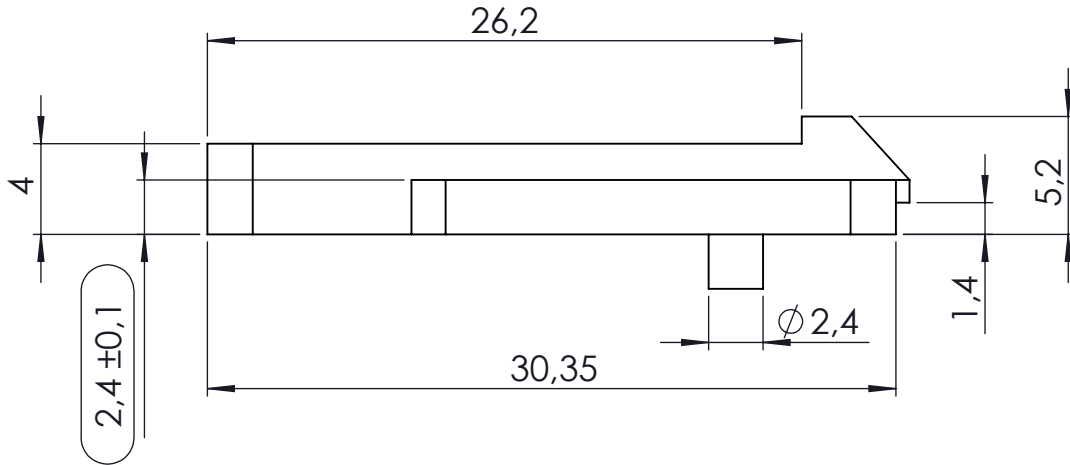
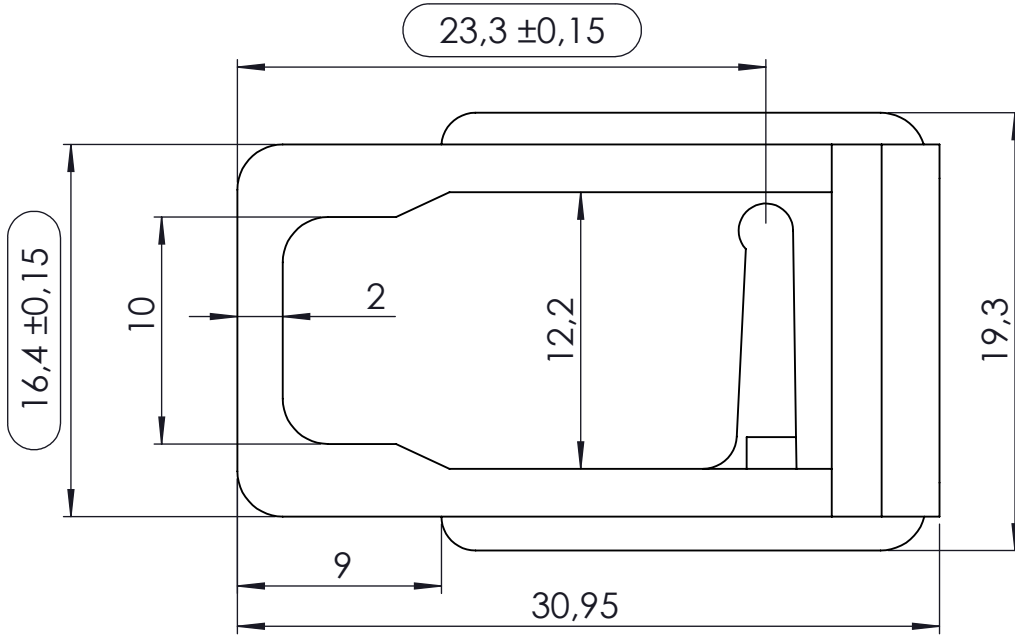
B

C

D

E

F

Verilmeyen Toleranslar $\pm 0,20$

	NAME	DATE	ARTICLE NO:	REVISION:	TITLE:
DRAWN	Dursun Daşdemir	02.03.22			
CHECKED	Ali Altınışık	02.03.22	COMMENTS:		
			This drawing is subject to technical modification without prior notice. Typographical and other errors do not justify any claims for damages. All dimensions should be verified using an actual produced part		
			DİKKAT: BU RESİM VE ÜRÜN ÖNCEDEN HABER VERİLMESİZİN DEĞİŞTİRİLEBİLİR. RESİM ÇİZİLRKEN HATASIZ OLMASINA ÇALIŞILMASINA RAĞMEN RESİMDE HATALAR BULUNABİLİR. RESİMDEKİ HATALARDAN DOLAYI OLUŞABİLECEK ZARARLAR İÇİN ALTINKAYA HİÇ BİR SORUMLULUK KABUL ETMEZ. BÜTÜN ÖLÇÜLER KULLANILMADAN ÖNCE ÜRETİLMİŞ GERÇEK NUMUNEDEN KONTROL EDİLMELİDİR.	DWG NO.	A-102
			MATERIAL:	WEIGHT:	A4
				SCALE:3:1	SHEET 1 OF 1

ALTINKAYA
ENCLOSURES FOR ELECTRONICS
www.altinkaya.com.tr

PROPRIETARY AND CONFIDENTIAL
THE INFORMATION CONTAINED IN THIS DRAWING IS
THE SOLE PROPERTY OF ALTINKAYA ENCLOSURES.
ANY REPRODUCTION IN PART OR AS A WHOLE
WITHOUT THE WRITTEN PERMISSION OF ALTINKAYA
ENCLOSURES IS PROHIBITED.

