

A

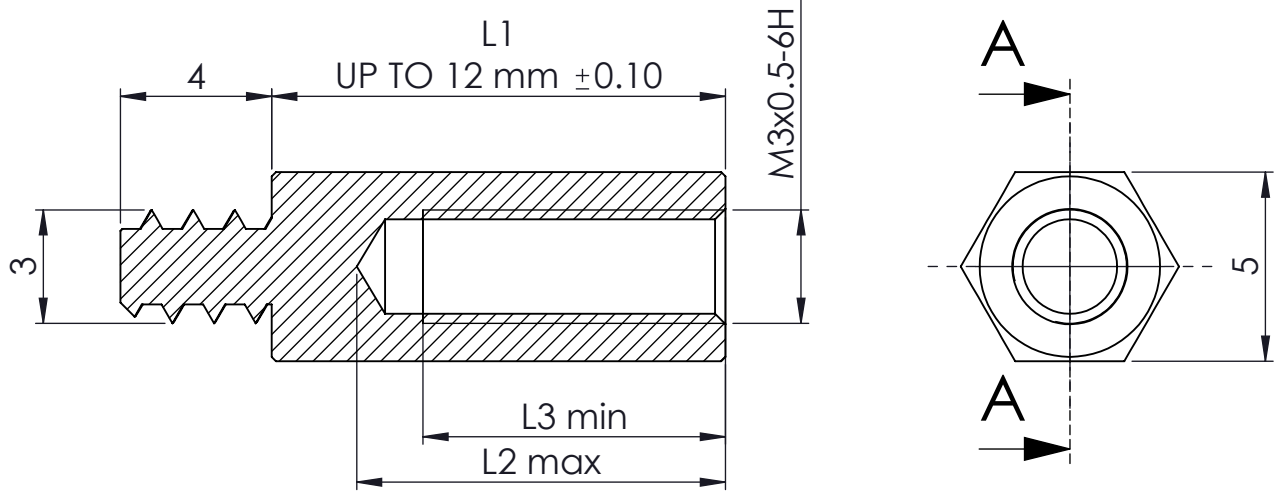
B

C

D


E

F



KESIT A-A

| Kodu    | L1 (mm) | L2 (mm) | L3 (mm) | Kodu    | L1 (mm) | L2 (mm) | L3 (mm) |
|---------|---------|---------|---------|---------|---------|---------|---------|
| YP-3405 | 5       | 4,5     | 3,5     | YP-3415 | 15      | 11      | 8       |
| YP-3406 | 6       | 5,5     | 5       | YP-3416 | 16      | 11      | 8       |
| YP-3407 | 7       | 6,5     | 6       | YP-3417 | 17      | 11      | 8       |
| YP-3408 | 8       | 7,5     | 7       | YP-3418 | 18      | 11      | 8       |
| YP-3409 | 9       | 8,5     | 7,5     | YP-3419 | 19      | 11      | 8       |
| YP-3410 | 10      | 9,5     | 8       | YP-3420 | 20      | 11      | 8       |
| YP-3411 | 11      | 10      | 8       | YP-3421 | 21      | 11      | 8       |
| YP-3412 | 12      | 11      | 8       | YP-3422 | 22      | 11      | 8       |
| YP-3413 | 13      | 11      | 8       | YP-3423 | 23      | 11      | 8       |
| YP-3414 | 14      | 11      | 8       | YP-3424 | 24      | 11      | 8       |
|         |         |         |         | YP-3425 | 25      | 11      | 8       |

| NAME   | DATE            | ARTICLE NO:   | REVISION: | TITLE:   |
|--|-----------------|---|-----------|--|
| DRAWN  | Dursun Daşdemir | 19.07.23  |           | 3 x 4 mm<br>Plastik Dişli Yükseltme<br>Parçası |
| CHECKED  | Ali Altınşık    | 19.07.23  |           |  |
| <br>ENCLOSURES FOR ELECTRONICS<br>www.altinkaya.com.tr  |                 | COMMENTS:<br>This drawing is subject to technical modification without prior notice.<br>Typographical and other errors do not justify any claims for damages.<br>All dimensions should be verified using an actual produced part  |           | DWG NO.  |
| PROPRIETARY AND CONFIDENTIAL<br>THE INFORMATION CONTAINED IN THIS DRAWING IS<br>THE SOLE PROPERTY OF ALTINKAYA ENCLOSURES.<br>ANY REPRODUCTION IN PART OR AS A WHOLE<br>WITHOUT THE WRITTEN PERMISSION OF ALTINKAYA<br>ENCLOSURES IS PROHIBITED. |                 | DİKKAT: BU RESİM VE ÜRÜN ÖNCEDEN HABER VERİLMEKSİZİN DEĞİŞTİRİLEBİLİR.<br>RESİM ÇİZİLİRKEN HATASIZ OLMASINA ÇALIŞILMASINA RAĞMEN RESİMDE<br>HATALAR BULUNABİLİR. RESİMDEKİ HATALARDAN DOLAYI OLUŞABİLECEK<br>ZARARLAR İÇİN ALTINKAYA HİÇ BİR SORUMLULUK KABUL ETMEZ. BÜTÜN<br>ÖLÇÜLER KULLANILMADAN ÖNCE ÜRETİLMİŞ GERÇEK NUMUNEDEN<br>KONTROL EDİLMELİDİR. |           | YP-3400  |
| MATERIAL: Brass  |                 | WEIGHT:   |           | A4   |
|  |                 | SCALE:5:1   |           | SHEET 1 OF 1                                   |

