
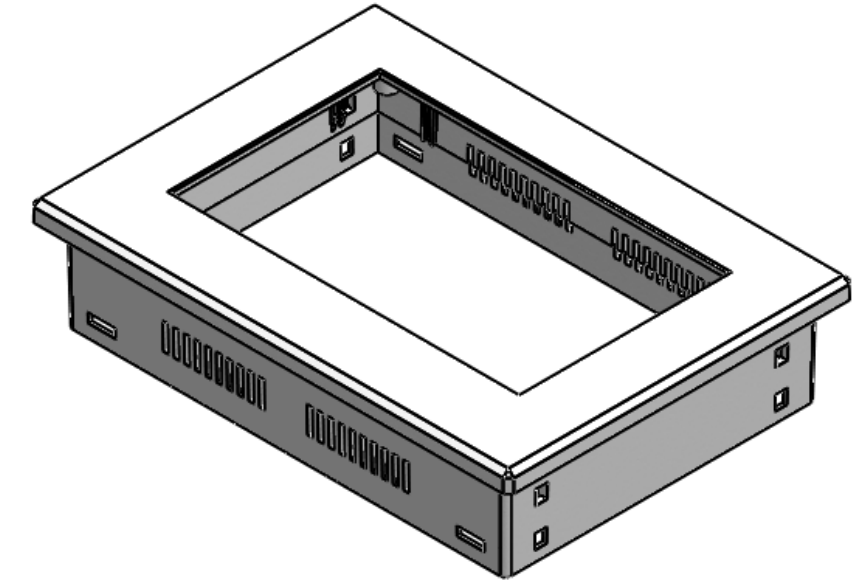
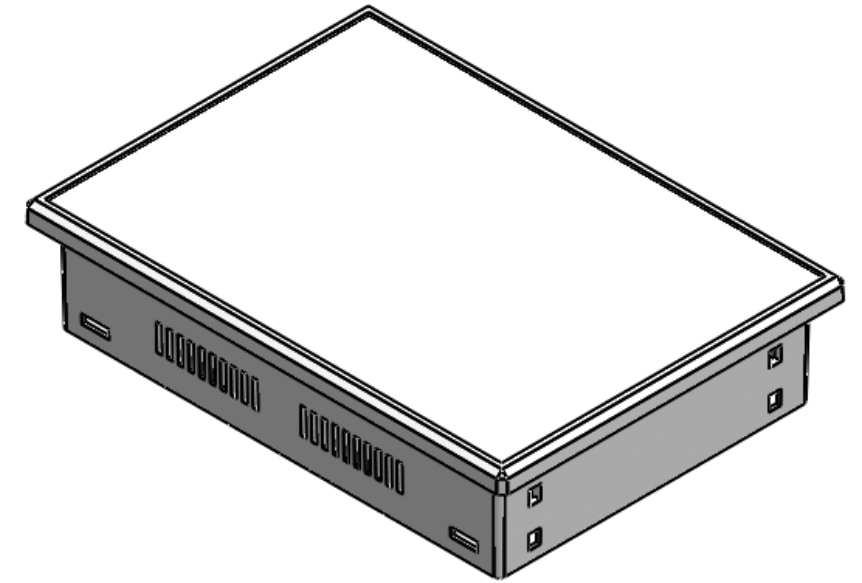
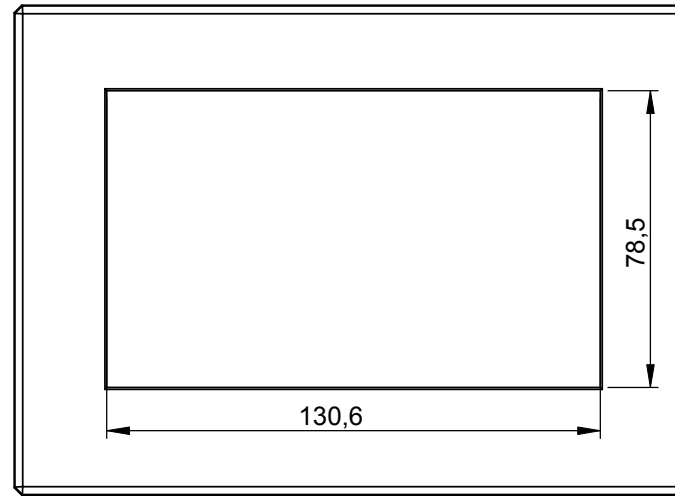
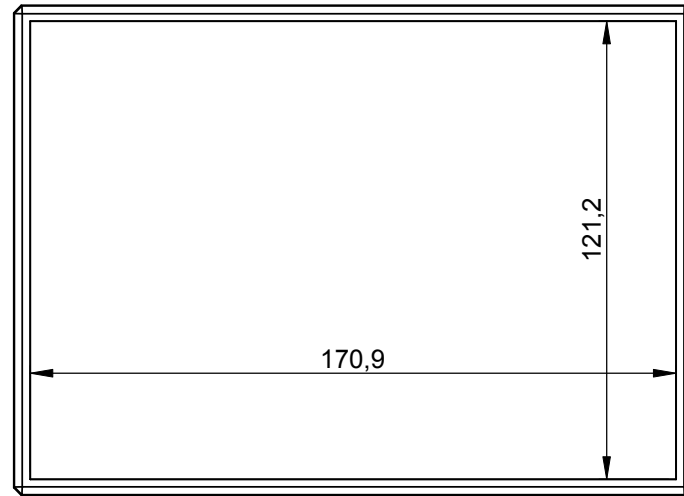
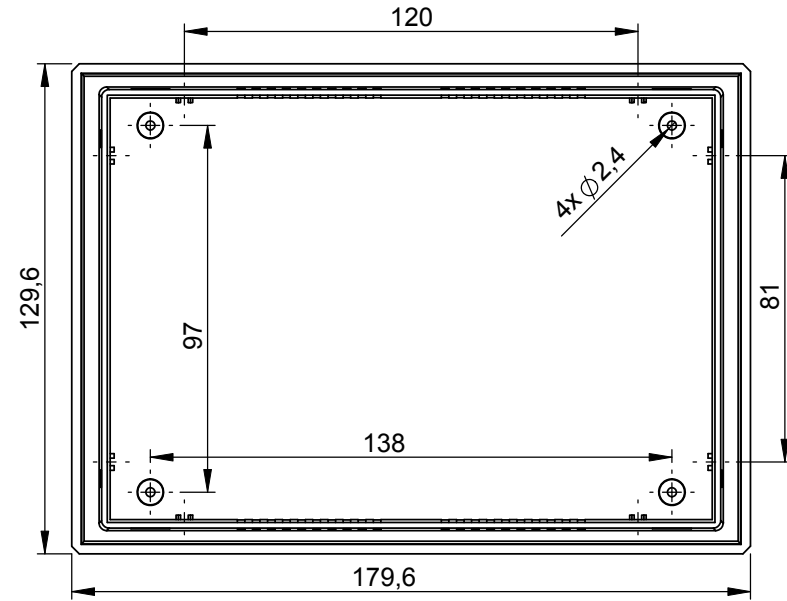
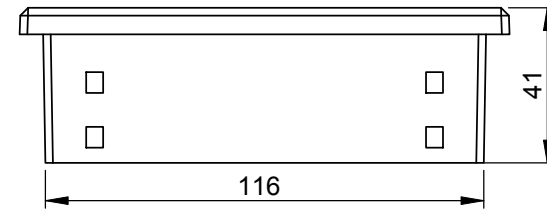
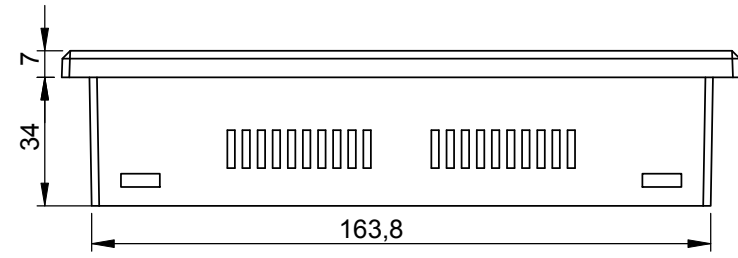

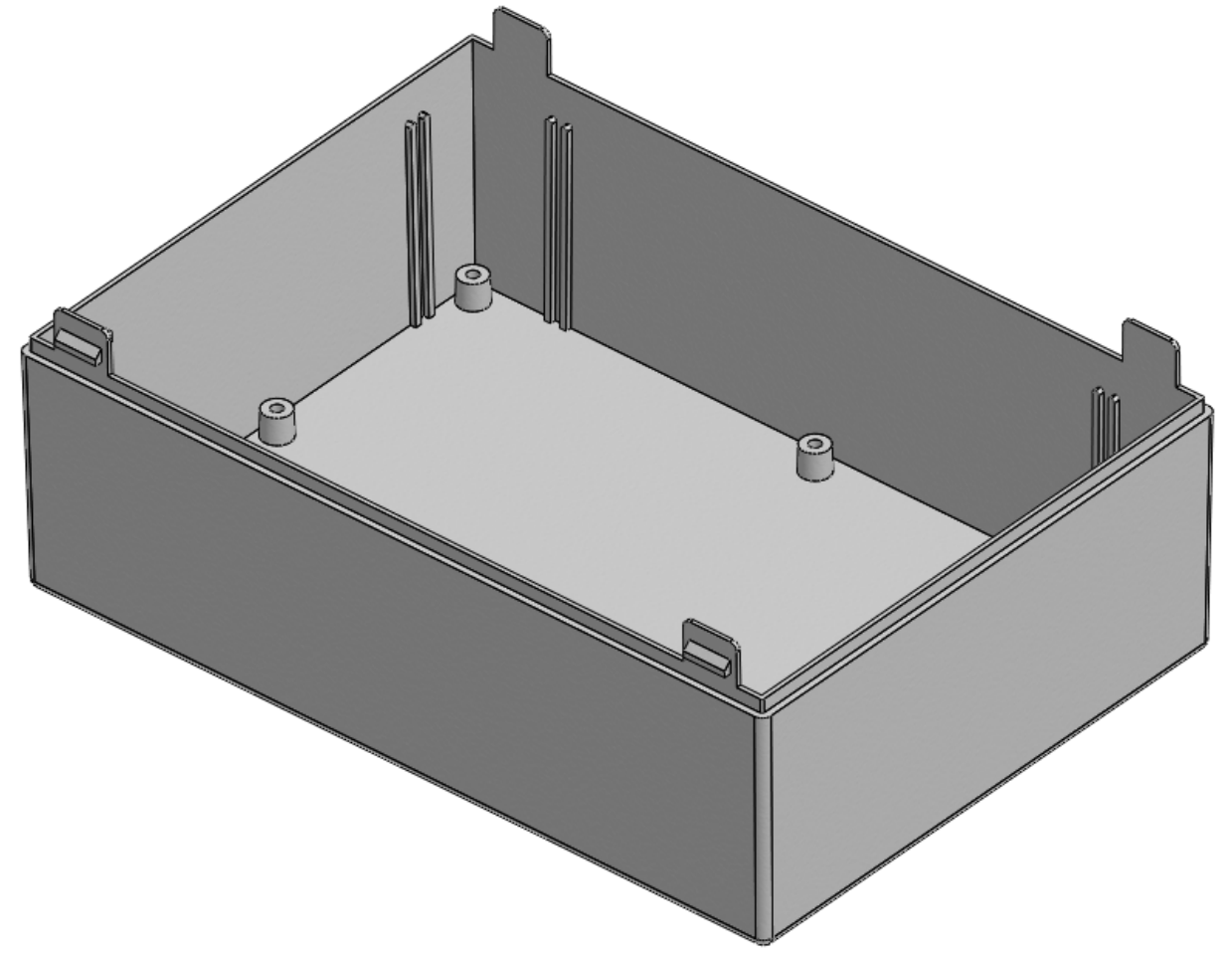
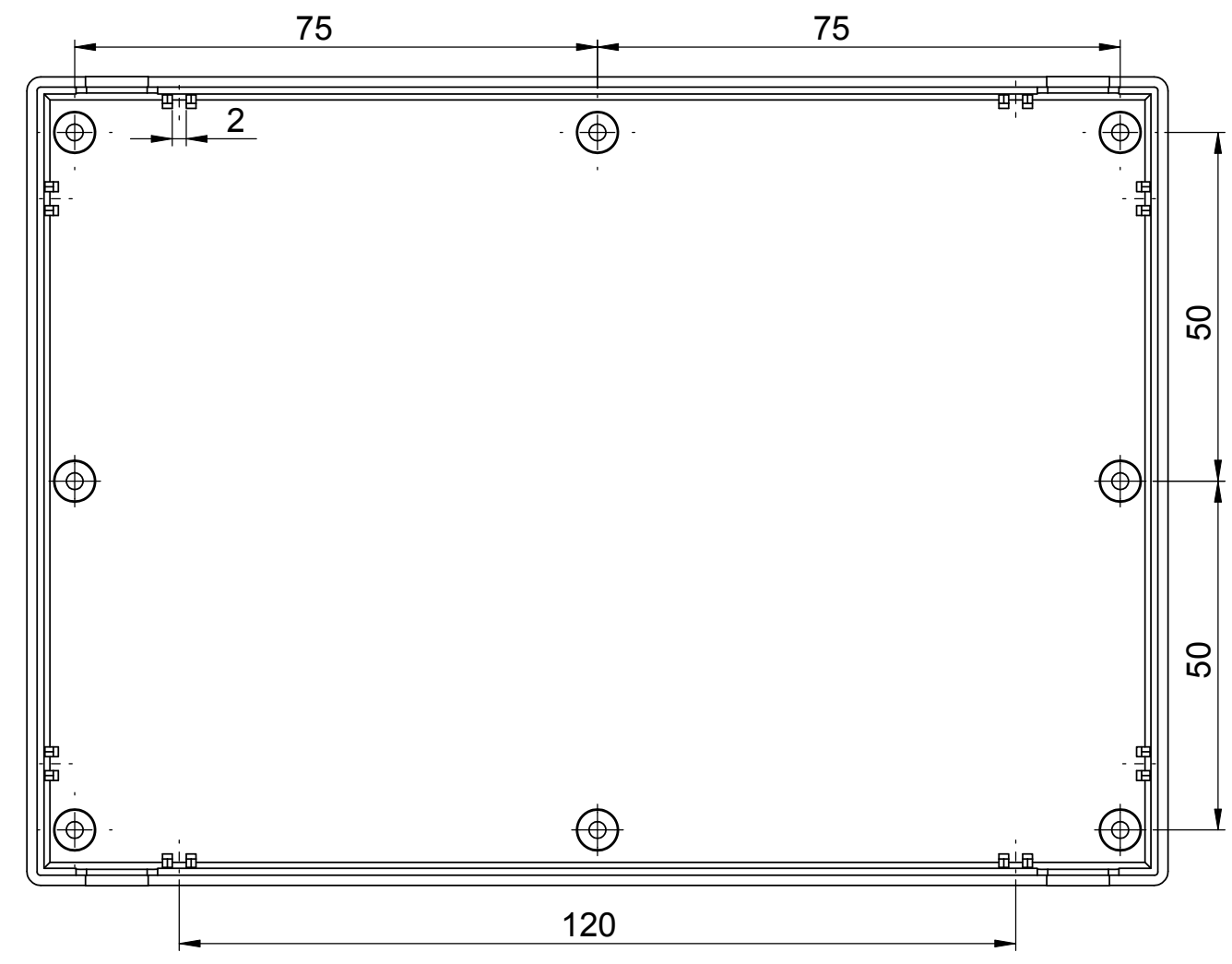
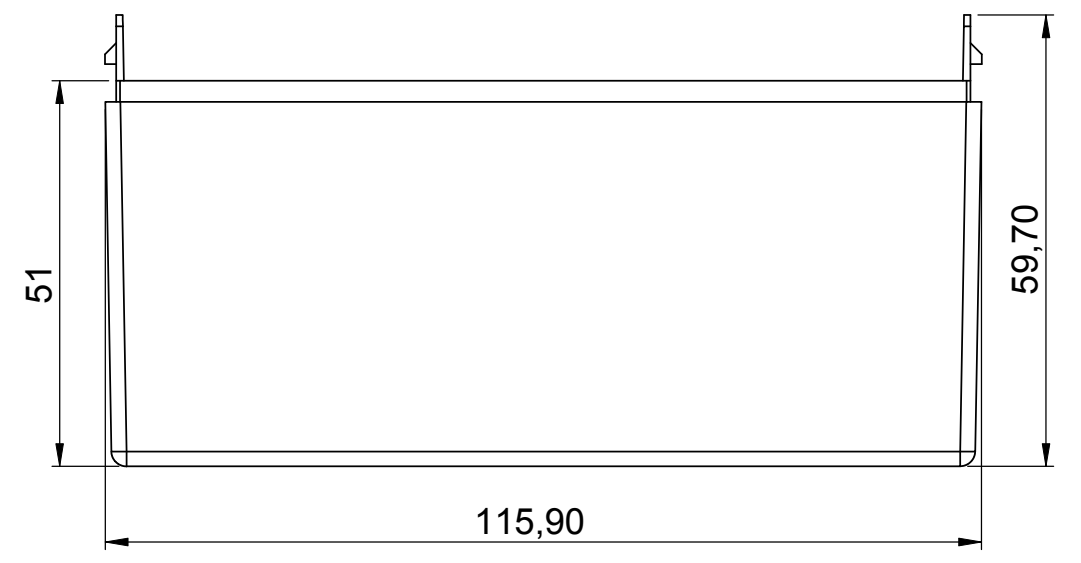
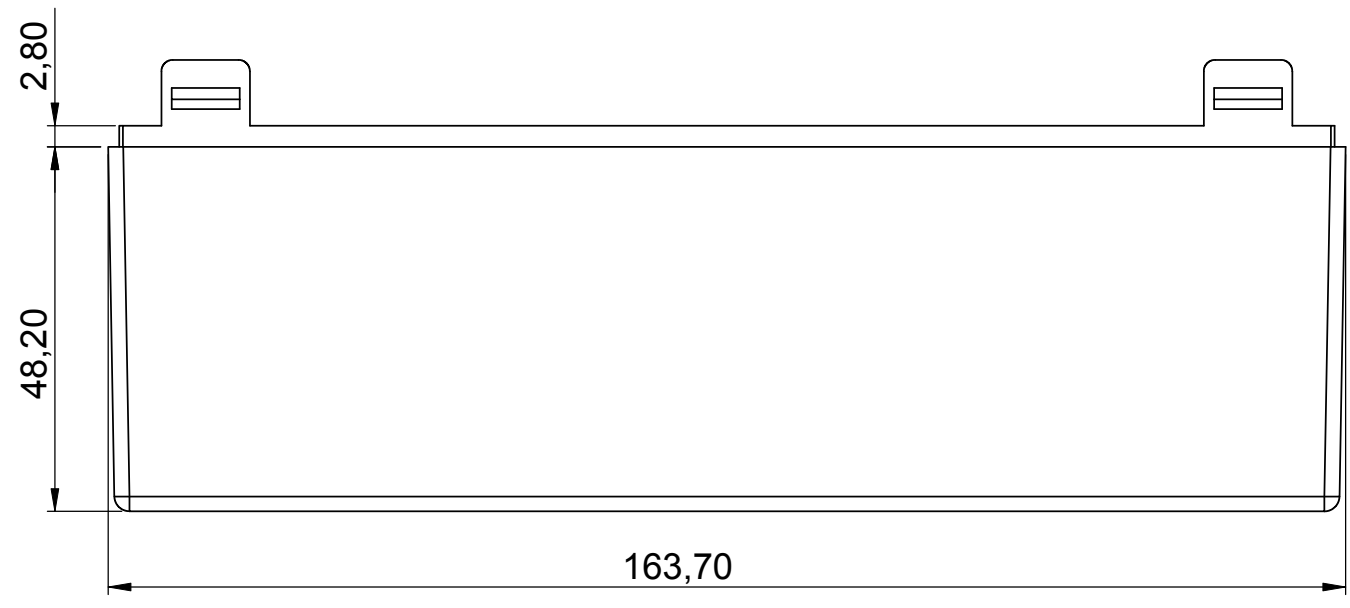



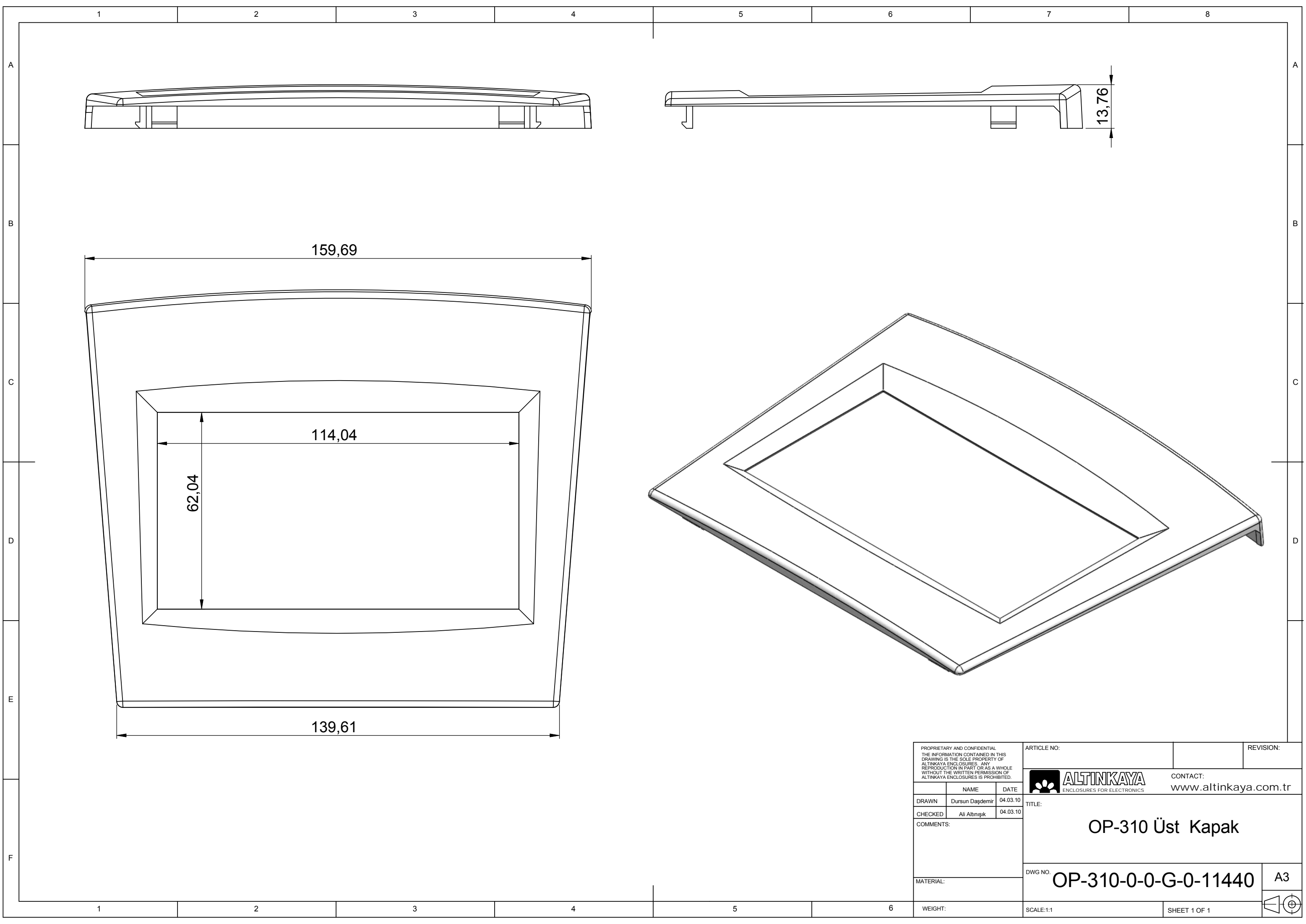
<small>PROPRIETARY AND CONFIDENTIAL. THE INFORMATION CONTAINED IN THIS DRAWING IS THE SOLE PROPERTY OF ALTINKAYA ENCLOSURES. ANY REPRODUCTION IN PART OR AS A WHOLE WITHOUT THE WRITTEN PERMISSION OF ALTINKAYA ENCLOSURES IS PROHIBITED.</small>			ARTICLE NO.:	REVISION:								
<table border="1"> <thead> <tr> <th>NAME</th> <th>DATE</th> </tr> </thead> <tbody> <tr> <td>DURSUN DAŞDEMİR</td> <td>04.03.10</td> </tr> <tr> <td>ALİ ALTINŞIK</td> <td>04.03.10</td> </tr> </tbody> </table>			NAME	DATE	DURSUN DAŞDEMİR	04.03.10	ALİ ALTINŞIK	04.03.10		CONTACT: www.altinkaya.com.tr		
NAME	DATE											
DURSUN DAŞDEMİR	04.03.10											
ALİ ALTINŞIK	04.03.10											
<table border="1"> <thead> <tr> <th>DRAWN</th> <th>NAME</th> <th>DATE</th> </tr> </thead> <tbody> <tr> <td>DURSUN DAŞDEMİR</td> <td>DURSUN DAŞDEMİR</td> <td>04.03.10</td> </tr> <tr> <td>ALİ ALTINŞIK</td> <td>ALİ ALTINŞIK</td> <td>04.03.10</td> </tr> </tbody> </table>			DRAWN	NAME	DATE	DURSUN DAŞDEMİR	DURSUN DAŞDEMİR	04.03.10	ALİ ALTINŞIK	ALİ ALTINŞIK	04.03.10	TITLE: <b>OP-310 Operatör Paneli</b>
DRAWN	NAME	DATE										
DURSUN DAŞDEMİR	DURSUN DAŞDEMİR	04.03.10										
ALİ ALTINŞIK	ALİ ALTINŞIK	04.03.10										
MATERIAL:			DWG NO. <b>OP-310-0-0-G-0-11432</b>	A3								
WEIGHT:			SCALE:1:2	SHEET 1 OF 1								




PROPRIETARY AND CONFIDENTIAL. THE INFORMATION CONTAINED IN THIS DRAWING IS THE SOLE PROPERTY OF ALTINKAYA ENCLOSURES. ANY REPRODUCTION IN PART OR AS A WHOLE WITHOUT THE WRITTEN PERMISSION OF ALTINKAYA ENCLOSURES IS PROHIBITED.			ARTICLE NO:	REVISION:
DRAWN Dursun Daşdemir 04.03.10			 ENCLOSURES FOR ELECTRONICS	CONTACT: www.altinkaya.com.tr
CHECKED Ali Altınışık 04.03.10				TITLE: <b>OP-310 Gövde Opsiyonlu Ekran Yeri Açık-Kapalı</b>
COMMENTS:			DWG NO: <b>OP-310-P-2-G-0-11438</b>	A3
MATERIAL:			SCALE:1:2	SHEET 1 OF 1
WEIGHT:				



<small>PROPRIETARY AND CONFIDENTIAL THE INFORMATION CONTAINED IN THIS DRAWING IS THE SOLE PROPERTY OF ALTINKAYA ENCLOSURES. ANY REPRODUCTION IN PART OR AS A WHOLE WITHOUT THE WRITTEN PERMISSION OF ALTINKAYA ENCLOSURES IS PROHIBITED.</small>			ARTICLE NO:	REVISION:
<small>DRAWN</small> Dursun Daşdemir 04.03.10 <small>CHECKED</small> Ali Altınışık 04.03.10 <small>COMMENTS:</small> <small>MATERIAL:</small> <small>WEIGHT:</small>			 <small>ENCLOSURES FOR ELECTRONICS</small>	<small>CONTACT:</small> <a href="http://www.altinkaya.com.tr">www.altinkaya.com.tr</a>
			<h2>OP-310 Taban</h2>	
			<small>DWG NO.</small> <b>OP-310-P-1-G-0-11434</b>	<small>A3</small>
			<small>SCALE:1:1</small>	<small>SHEET 1 OF 1</small>



PROPRIETARY AND CONFIDENTIAL THE INFORMATION CONTAINED IN THIS DRAWING IS THE SOLE PROPERTY OF ALTINKAYA ENCLOSURES. ANY REPRODUCTION IN PART OR AS A WHOLE WITHOUT THE WRITTEN PERMISSION OF ALTINKAYA ENCLOSURES IS PROHIBITED.			ARTICLE NO:	REVISION:
			 ALTINKAYA ENCLOSURES FOR ELECTRONICS	CONTACT: www.altinkaya.com.tr
DRAWN	Dursun Daşdemir	04.03.10	TITLE: <b>OP-310 Üst Kapak</b>	
CHECKED	Ali Altınışık	04.03.10	DWG NO: <b>OP-310-0-0-G-0-11440</b>	
COMMENTS:			A3	
MATERIAL:			SCALE:1:1	
WEIGHT:			SHEET 1 OF 1	