



ENCLOSURES FOR ELECTRONICS



PRODUCT CATALOGUE

www.altinkaya.eu



 **ALTINKAYA**
ENCLOSURES FOR ELECTRONICS

Hello,

As Altinkaya, we have been working passionately to do our job better every day since 1985. We have been directing the electronics industry in Turkey and all around the world.

We have a remarkable amount of business partners world-wide and we respond to the needs of our business partners with our wide range of products and qualified service options.

This catalog, which we have prepared for you to meet our services that will help you customize our products in Altinkaya's wide product portfolio according to your projects, will give you an overview.

Please visit our website to obtain more detailed information about our products, review the drawings and to check our prices. Experience the pleasure of ordering online by making your secure payment online by credit card or bank transfer.

Our sales team is ready to assist you by phone or by email about anything related with our products and services.

As every year we do, we have added new, stylish and useful products to our 2021 catalogue as well. Please review our new products in the "new products" tab of our website day by day.

In case you couldn't find the product you need in our portfolio, please do not hesitate to make a request for the production by keeping in contact with our sales team.



Growth during Pandemic and continue manufacturing

As Altinkaya we served our customers continuously by increasing our capacity during the pandemic period. Our offices were opened for the visit of our customers during return to normal.

As the Altinkaya family, we are working to respond to the needs of our customers together under one roof. For that reason, we increase our product range day by day, and prioritize improving our quality and services.



Sincan Factory



Ankara Head Office



İstanbul Showroom

TRACKING SYSTEMS



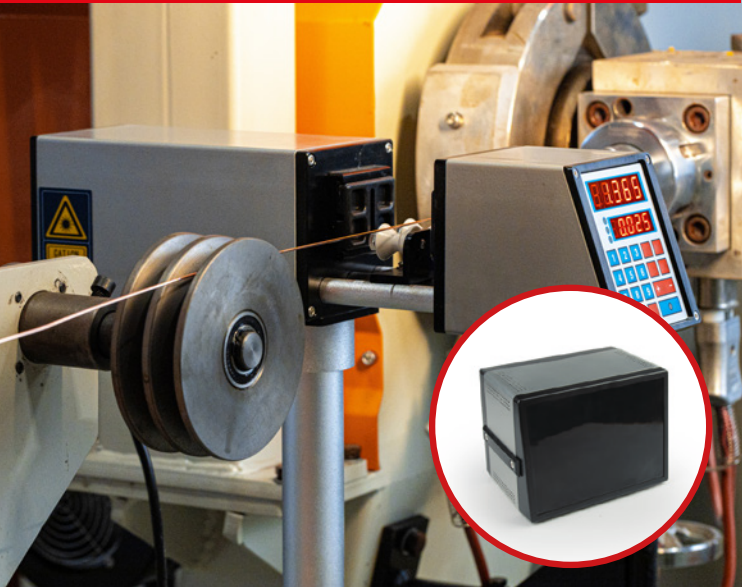
BUILDING AUTOMATION AND CONTROL SYSTEMS



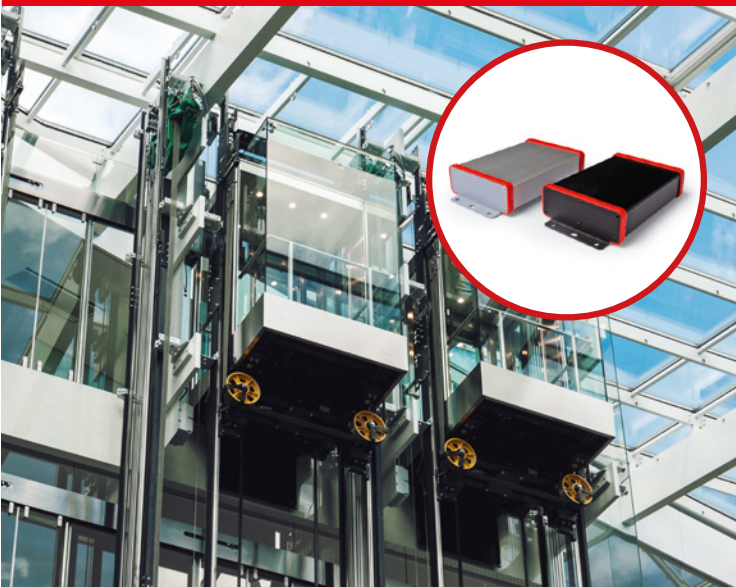
SECURITY SYSTEMS



INDUSTRIAL MACHINE PRODUCTION



ELEVATOR SYSTEMS

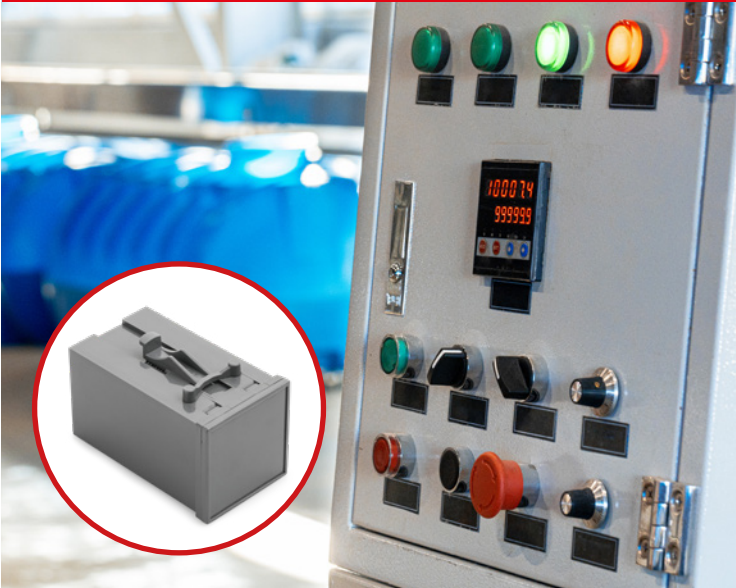


SENSOR SYSTEMS



CONTROL PANEL SYSTEMS

AGRICULTURE TECHNOLOGIES



ENERGY

IoT SERVICES



SIGNALIZATION

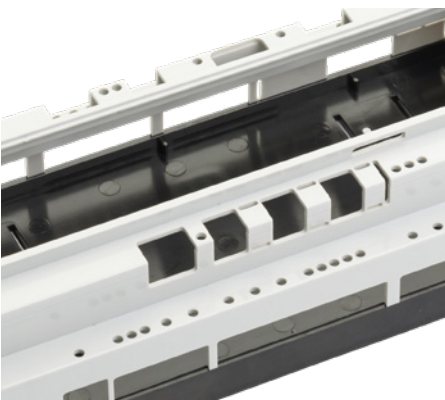
SERVER TECHNOLOGIES



CUSTOMIZATION

We do customization for your device!

We can customize our boxes under the roof of Altinkaya in accordance with the device you design. CNC department cuts LCD screen slots, button, card, terminal holes, membrane switch-label pools and vents. Printing department can apply the images you desire to mark on the device such as logo, brand, mimic diagram to all surfaces. Printing department processes both with printing and laser marking.



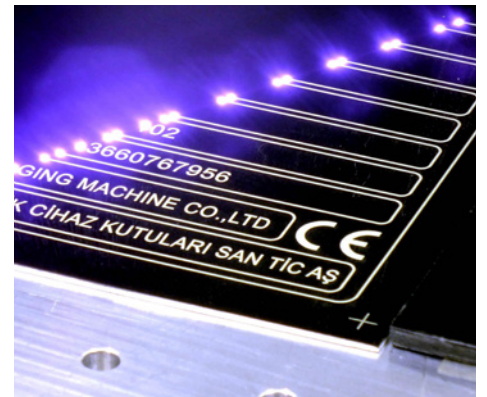
CNC MACHINING

We process all the surfaces of enclosures with our expert staff on CNC milling machines, under computer control, sensitively and quickly without any damage.



UV PRINTING

With a digital printing method containing a special ink, we process the images for you on all the surfaces of the boxes in the color and texture you desire.



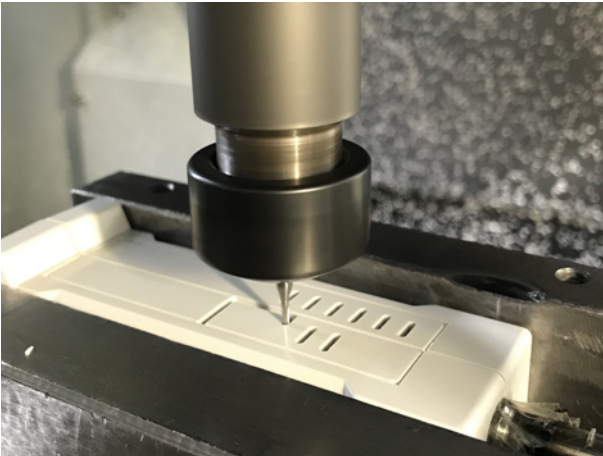
LASER MARKING

Our printing team will process the images you choose on the surfaces via laser beams and perform scraping and paint removal applications.

CNC MACHINING

CNC is the cutting process that generates desired parts by moving the cutting tool on the part at high-speed rotation in milling machines provided by a computer- controlled cutting route. For many years, we have been processing our products in CNC machines according to the wishes of our customers. We carefully, and consciously process products made of plastic, aluminum extrusion, sheet metal, and aluminum casting.

Thanks to our completely computer-controlled industrial CNC machines and many years of experience, we offer precise and clean work in which you can place components such as circuits, terminals, LCD screens, keypads, etc. in our enclosures.



Operation in Every Geometry

- Altinkaya offers the opportunity to cut in various geometric shapes and sizes.

No Minimum Order Quantity

- Even though you order 1 piece, we can get it done.

Excellent Workmanship

- We process all the surfaces of the enclosures precisely and quickly, without any damage, with our staff specialized in customization.

Precision Cutting Tolerances

- We perform precision machining up to ± 0.1 mm tolerance.

Over 30 Years of Experience

- Our experienced staff will guide you for the best results.

Technical Assistance

- Our experienced staff will give technical support for the excellence of your product.

Production without any outage

- If there is a outage in production, we cover your damages.



CNC Cutting Technical Info

Thanks to computer control, we can process all kinds of geometrical patterns.



Corner Radius

When a rotating tool is used, the corners of the machining shapes are rounded in proportion to the tool length. Sharper corners are possible using a smaller tool, but this increases our machining time and cost.



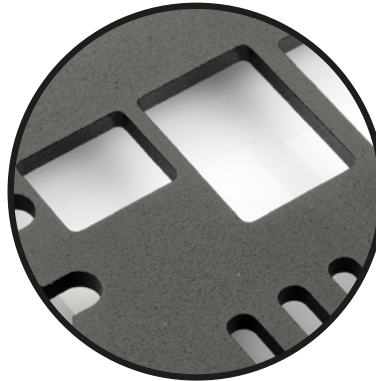
Tool sizes we use in cuttings

Material	Standard Diameter	Minimum Diameter
Plastic	1,00 mm	0,75 mm
Clear Panel	1,25 mm	1,00 mm
Aluminum	1,25 mm	1,00 mm
Sheet Metal	1,25 mm	1,00 mm

Circular Cutting



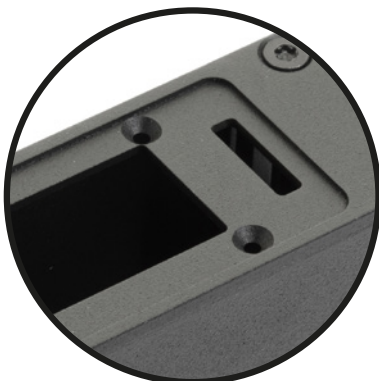
Rectangle Cutting



Curved Cutting



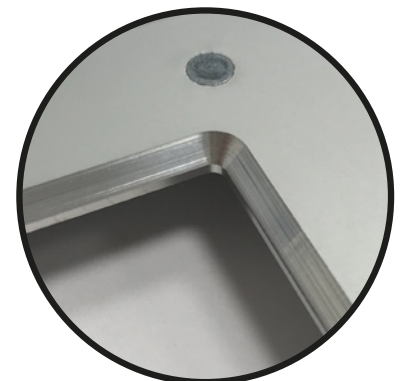
Label Pool Emptying



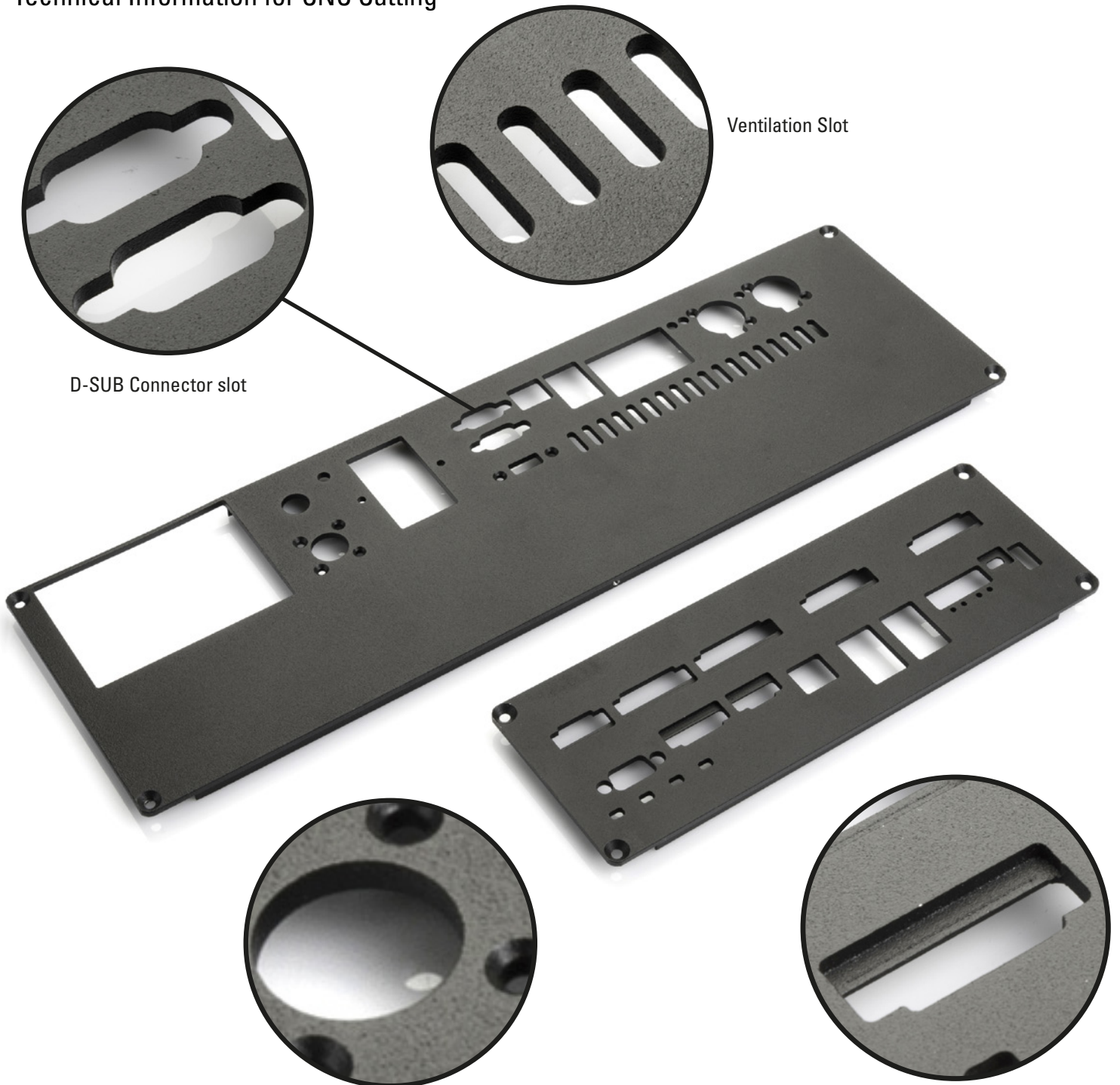
Flat / Slot Countersunk



Chamfering



Technical Information for CNC Cutting



D-SUB Connector slot

Ventilation Slot

The countersinking procedure can be done to refrain the screws exuded from the surface

All or part of the thickness can be cut for special connectors



Visual printing can be done on the added switch caps.

Countersunk

Countersinking is cutting the top of the screw hole at an angle so that the head of a screw fits on the mounting surface without protruding. If the countersink thickness of the screw is greater than the thickness of the material to be machined, the excess can be left on the upper or lower surface.

(See Figure 1-2)



Size	Countersunk Height (mm)	Minimum Thickness (mm)
M2	1,2	1,2
M2,5	1,45	1,45
M3	1,75	1,75
M3,5	2	2
M4	2,3	2,3
M4,5	2,55	2,55
M5	2,8	2,8
M6	3,3	3,3
M8	4,4	4,4

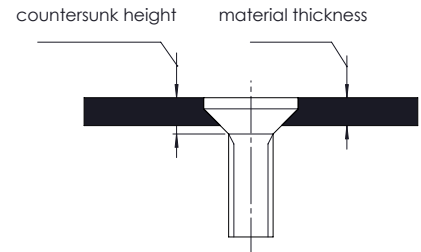


figure 1

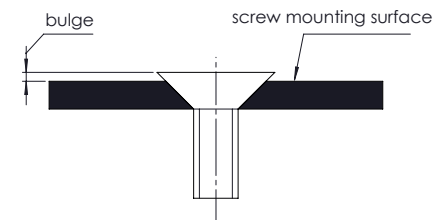


figure 2

Threading

When mounting components such as connectors and cable glands in enclosures we can also thread the enclosure surface with special tools instead of drilling straight holes and using nuts. You can find the thread lengths and pitches we cut in accordance with PG and Metric standards in the table.

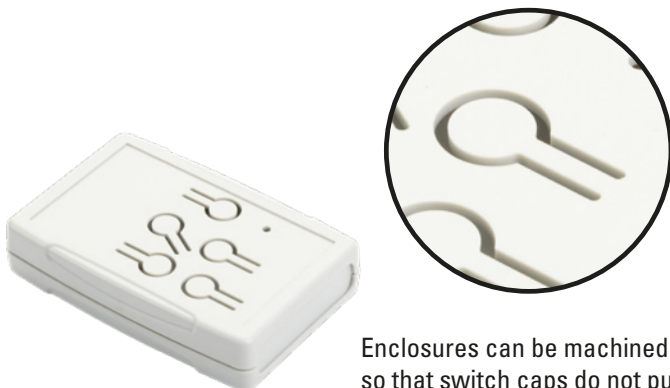


METRIC	
Size	Pitch
M2,5	0,45
M3	0,50
M4	0,70
M5	0,80
M6	1
M7	0,50
M8	0,75
M8	1,25

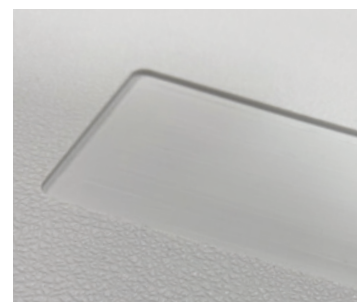
METRIC	
Size	Pitch
M10	0,75
M10	1
M25	1,50
M32	1,50
M40	1,50
M50	1,50
M63	1,50

PG PANZER-GEWINDE	
Size	Pitch
PG7	1,27
PG9	1,411
PG11	1,411
PG13,5	1,41
PG16	1,411
PG21	1,588
PG29	1,588
PG36	1,588
PG42	1,588
PG48	1,588

Recessed Area for Membrane Label



Enclosures can be machined to stretch so that switch caps do not puncture the label




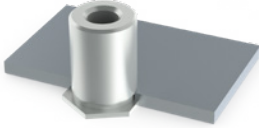

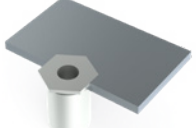

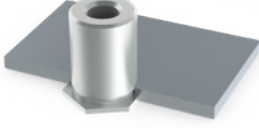
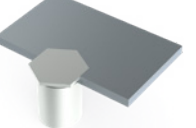

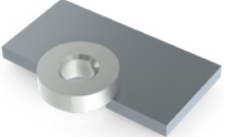
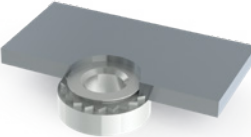


Recessed area at the desired depth

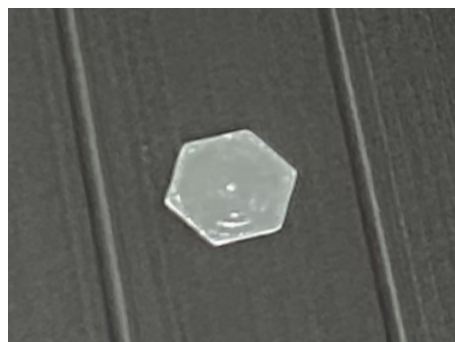
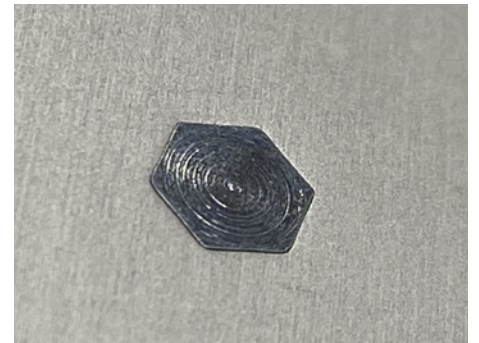
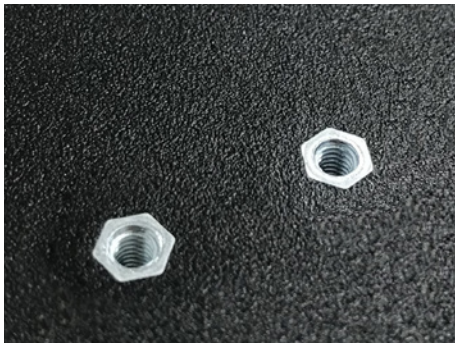
Clinching Fasteners

Fastening nuts, screws and elevation parts are components that enable all kinds of device and card assembly to be made more robust and durable.

Specially produced fastening nuts, screws and standoffs are pressed into the holes previously drilled on soft metal with a special press with high pressure.

- For aluminum and metal surfaces
- Robust and durable
- Threaded mounting feet at desired height
- Precision work with parallel compression method
- High torque resistance
- Does not require any extra holes or threads
- Reasonable cost and clean workmanship
- Screw, Nut, open and closed mounting feet
- M3, M4, M5 and M6, M8 sizes

Upgrade Steel Parts (Open) SO Models Compatibility with M3, M4, M5 sizes				
Upgrade Steel Parts (Close) BSO Models Compatibility M3, M4, M5 sizes				
Drive in nut (Steel) S Models Compatibility with M3, M4, M5, M6, M8 sizes				
Driven Screw (Steel) FH Models Compatibility with M3, M4, M5, M6, M8 sizes				



Instructions and File Formats for CNC Cutting

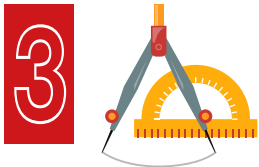
You may send us instructions about CNC cutting in different ways.



You can send processes you want by drawing manually or on the computer on technical pictures of PDF or DXF format is found on our website.



Hand-drawn or computer-drawn sketch of the process 2/3 dimensional technical drawing. You can also see 2/3 D file formats in table 2.



If you do not have any technical drawings, you are able to send sample of your product to us. Necessary drawings will be send after doing according to sample.



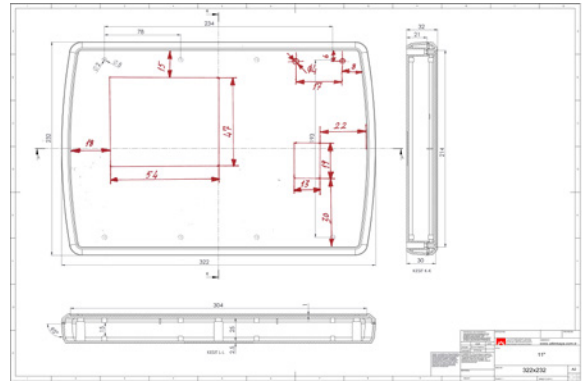
During production step, once you send your PCB, and components such as connector, terminals, lcd screen with us, the assembly of the components will be checked then, sizes and tolerances will be corrected for a better performance.

Workmanship code in CNC cutting

C-2001-001

We save the works we made previously such as CNC cutting, visual printing in our computer systems by a given code.

If our customers need the same work again, we recommend using these codes to speed up the transactions.

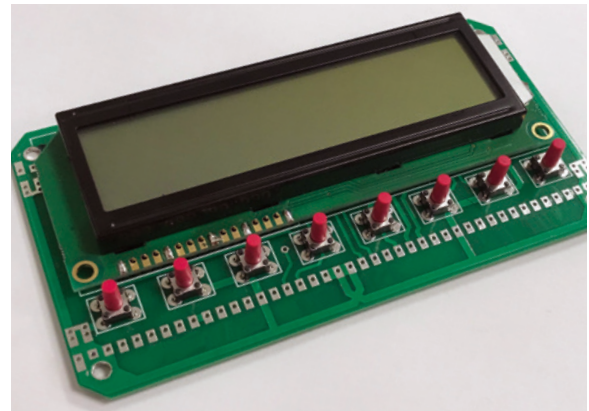


You can share hand drawn sketches on product drawing with us.

File Format	2D / 3D	File Extension
Sketch	2D	pdf, jpg, png, tif
Autocad Drawing	2D	dxf
PDF Drawing	2D	pdf
Step	3D	stp, step
Parasolid	3D	x_t
iges	3D	igs

Please make sure the scale of the file is 1/1.

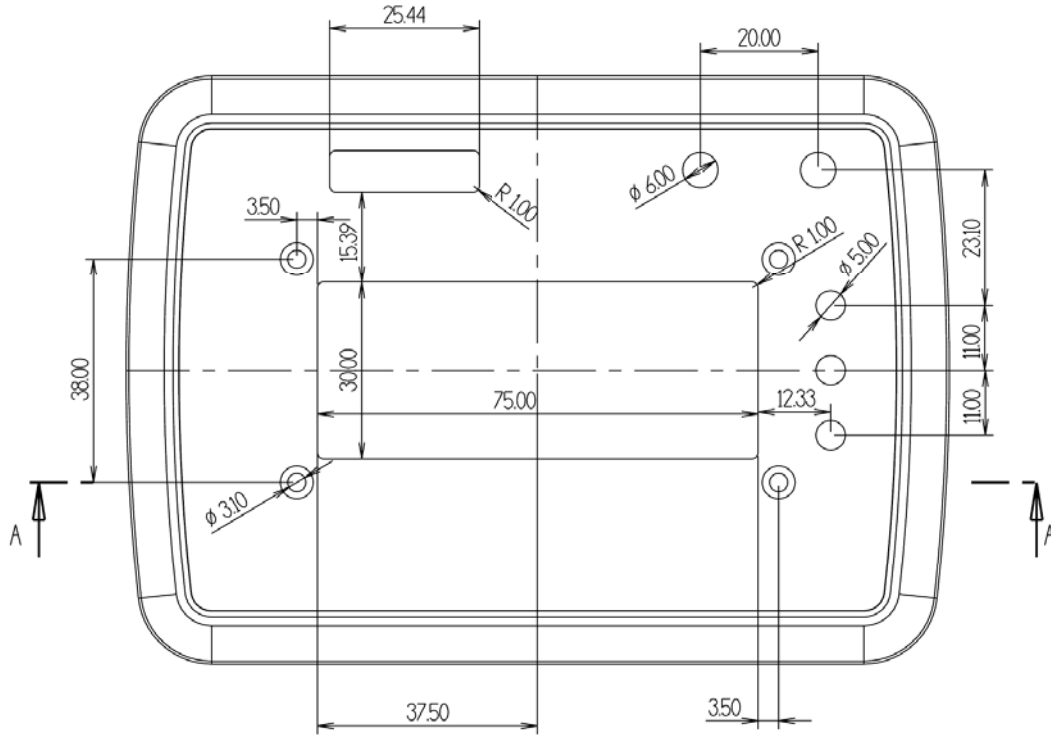
Table 2



Technical Drawing for CNC Cutting

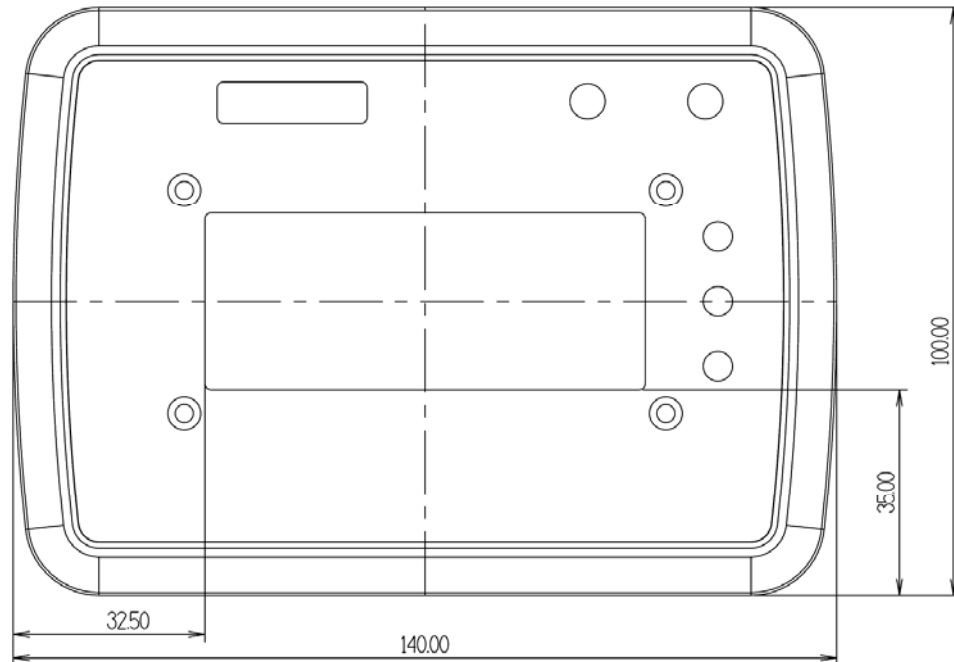
Some details to be considered about technical drawing for CNC cutting

While dimensioning the technical drawing, the center point will be determined first and then the measurement values will be given or the measurements should be made from the points that can be measured with a caliper on the box should be given. The following sample drawings can be used.



Measure is given from center

Drawing 1



Measure is given from side

Drawing 2

Tolerances

Even though there is a high sensitivity of CNC machines, please avoid giving exact tolerances for plastics as being elastic materials. Please find general tolerances using the following.

Please contact our experts for special custom tolerances or custom assembly parts required.

Tolerances DIN 7168

Nominal Sizes(mm)	0,5 - 3	3 - 6	6 - 30	30 - 120	120 - 400
Mid	± 0,1	± 0,1	± 0,2	± 0,30	± 0,5

UV PRINTING

**WE DO COLOR UV PRINTING
ON ALL SURFACES OF OUR ENCLOSURES!**

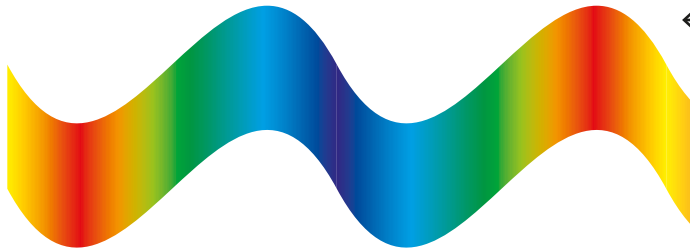
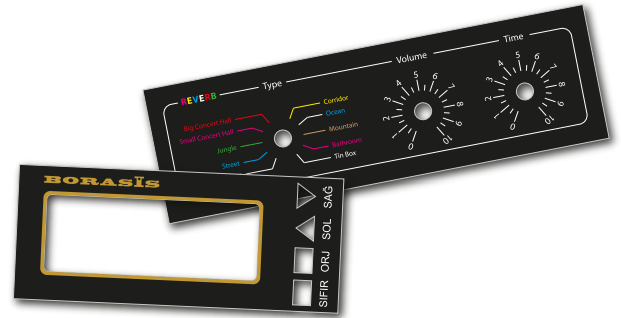
ULTRAVIOLET GRAPHIC PRINTING
Introductory and technique catalogue



Make Your Products More Attractive

All your graphic visuals →

We can print logo, brand, mimic diagram, control panel graphics, panel/screen captions, port marking, potentiometer marking, button marking and even serial numbers on enclosures now.



← Multi-color printing

You are no longer bound to basic or limited number of colors. You can choose any color in the photographic color space with the color mixing system (Trigromi) of the UV curing printing technique.

Embossing and transparent printing →

Regardless of material color; try embossing, textured printing and transparent printing. This will break a new ground for your products.



Durability

Resistant to chemicals

We had very good results in the tests we have done with various chemicals. You can do chemical tests for the special scenarios you may face.

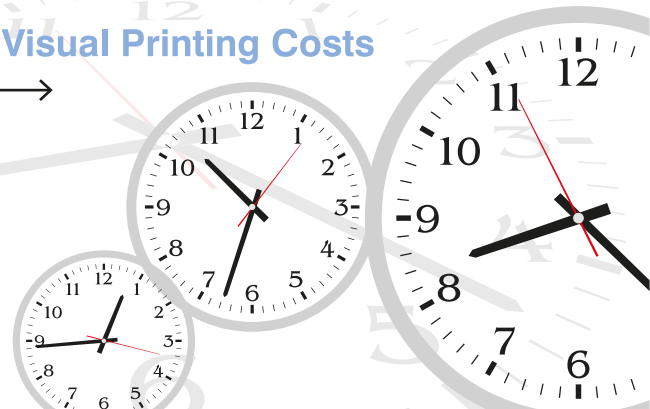
Corrosion and abrasion resistance

The visual prints we produce with the UV Curing Printing Technique is very well adsorbate on various surfaces and resistant to abrasion.

Improve Your Quality while Reducing your Visual Printing Costs

Save time →

In manufacturing, time is a very important cost. It takes serious time to disassemble the enclosures you buy, to take them to printing, to follow the process, to take back and reassemble. When you put your order with the visual printing job, you will receive the finished enclosures and save serious time.



← Reduce labor, transport and wastage costs

Ordering your enclosures with visual printing and receiving the finished products will save you money by reducing transport, labor and wastage costs.

You can work for more efficient jobs when we are preparing your prints in our workshop.

Can you print our logo or brand on your products?

Of course. We are able to produce all the visual prints you want on our products with suitable material and printing surface.



Can you also print graphics such as mimic diagrams, control panels, buttons and port markings?

Yes. We can print graphics with our UV curing system.

Is there a limitation in colors?

We can apply all colors in the photographic color spectrum.



Can you print the Pantone® or RAL color of our company logo?

In our printing system CMYK color space, we are able to achieve close to 85% proximity to Pantone® and RAL codes.

Can you print any color on all color of enclosures?

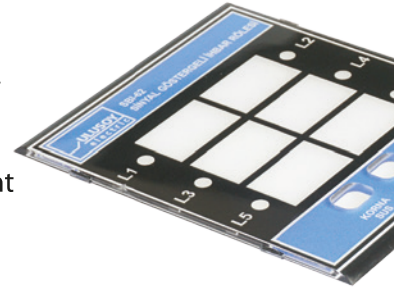
We print according to the color of the enclosure and the color to be printed. At an additional cost, using the optional primer printing applicator, we are also able to print a wider range of colors including the color white. We will recommend you color systems and you can choose the system that suits you best.

Can you print variables such as serial number?

Yes, we can make variable prints such as serial number/lot number at additional cost.

Previous prints were deleted by contact or using. Do you have such a problem?

Our UV cured printing system has passed abrasion tests. And we can say that the print lasts longer than many other methods.



Our device is in contact with some chemicals, will these chemicals remove prints?

We have placed our print method to various testing conditions and different types of chemicals and now can say that the prints do not fade or get erased when placed under different tests with different chemicals. Also, you can always test the prints with chemicals under the conditions that your device is normally exposed to.

Will sun exposure fade the prints on our products?

The printing method we use is highly resistant to sunlight.

How do you do the pricing?

We calculate the surface area of the printed product and the number of layers we print.



Will our costs increase if we switch from Serigraphic Printing to UV Printing?

No. Do not mind the apparent cost, if we look at the time and labor you will spend by choosing to print in a different place, having us do the printing for you will cost you less.



Can you print on curved and recessed surfaces?

We can print on surfaces of different heights up to 5 millimeters.

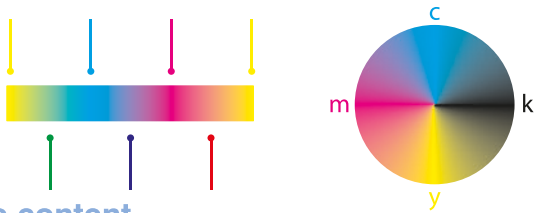
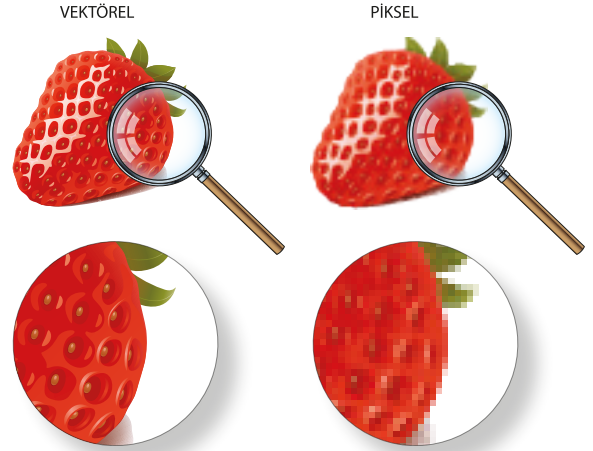
Can you also print on the products from other companies?

Yes, we can.

File types

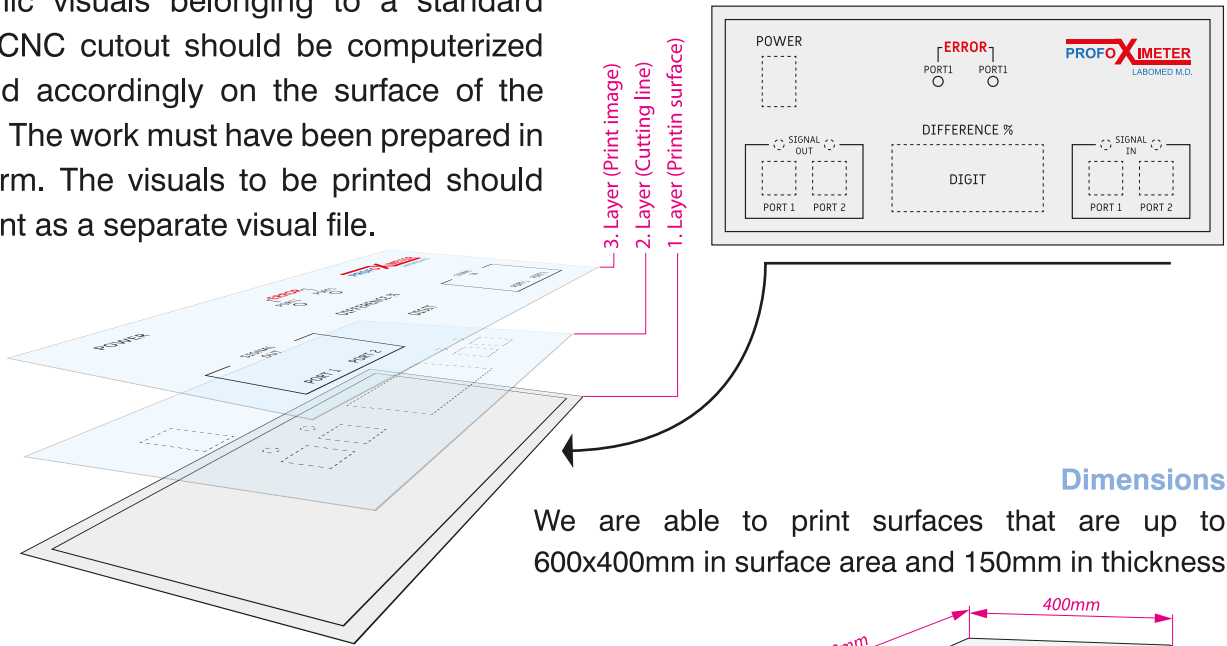
- PDF (Portable Document Format)
- SVG (Scalable Vector Graphics)
- AI (Adobe Illustrator)
- CDR (Corel Draw)
- EPS (Encapsulated PostScript)

Graphics must be vectorial. If there are pixel-based visuals that cannot be vector within the graphics work, it should not be below 300DPI in the actual print size. All text in the graphic work must be converted as a vector.



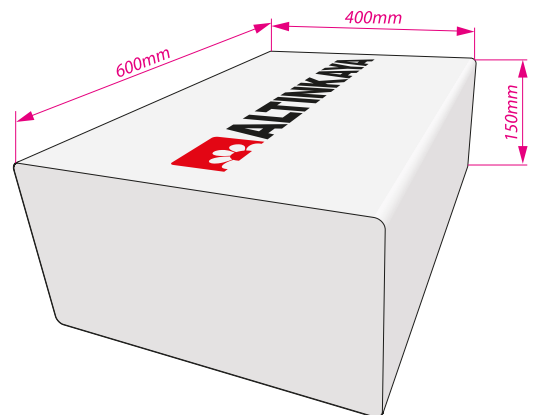
File content

The graphic visuals belonging to a standard layout or CNC cutout should be computerized and placed accordingly on the surface of the enclosure. The work must have been prepared in layered form. The visuals to be printed should also be sent as a separate visual file.



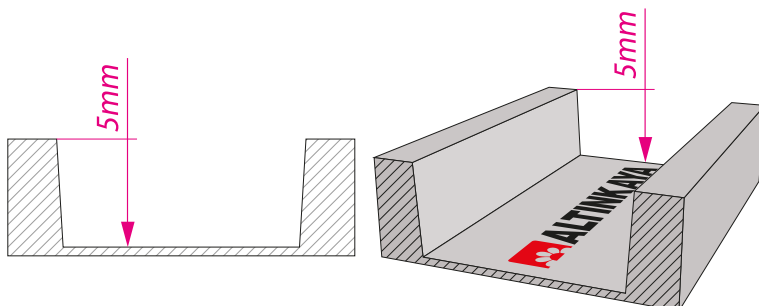
Dimensions

We are able to print surfaces that are up to 600x400mm in surface area and 150mm in thickness.



Printing in deep places (pool, channel etc.)

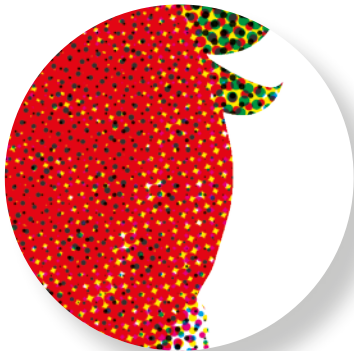
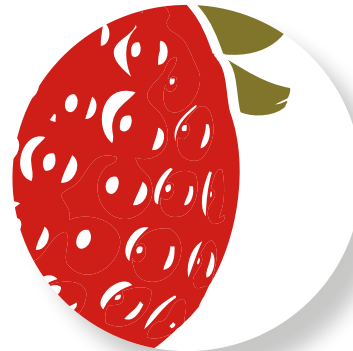
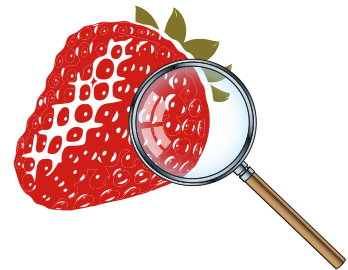
We are able to print on surfaces up to 5mm. On deep surfaces, the print resolution decreases.

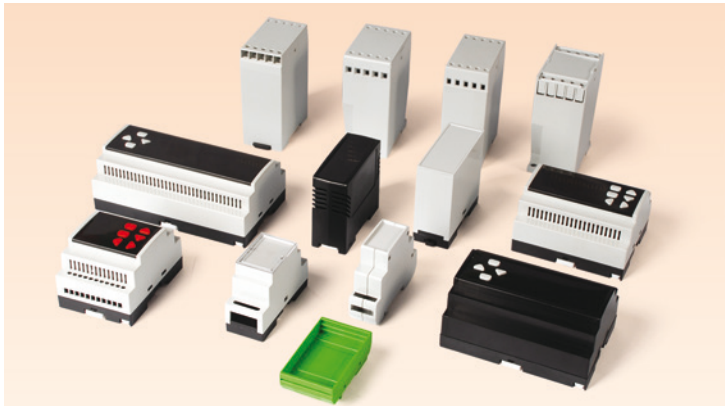


e-mail for graphic printing: baski@altinkaya.com.tr

Differences Between UV Cured CMYK Printing System and Silk-Screen/Pad Printing

- Freedom of using almost all colors; in the system called Tricomi (CMYK), 3 main colors and black color trays are overlapped with correct angles to obtain millions of colors. Colors are limited in Serigraphy / Pad Printing.
- It is possible to print all colors simultaneously in our system. in Silk-Screen/Pad Printing, each color is printed separately.
- As the UV Curing method dries the print immediately, it is possible to minimize the appearance of bad colors.
- It is possible to use special paints and Pantone® colors in Silk-Screen/Pad Printing. This is not possible in the CMYK system; we can only print the nearest CMYK equivalent.
- Since CMYK system colors are obtained by combining the color mixes together, it is possible to see these dots (as shown in Fig. 1). This is not the case when flat colors are printed in Serigraphy / Pad Printing.

1UV Curing
CMYK Print**2**Silk-Screen or
Pad Printing



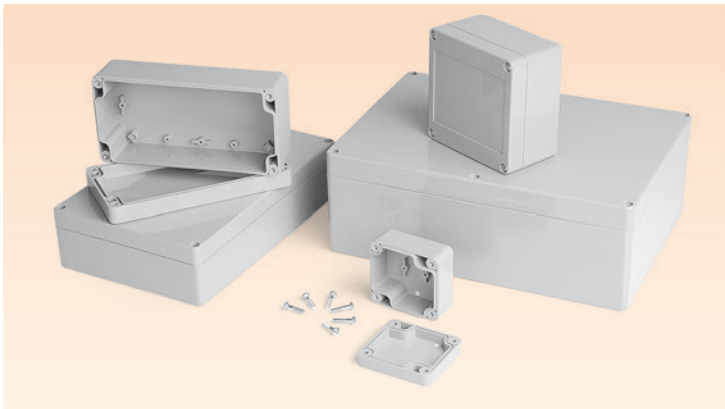
DIN RAIL ENCLOSURES

Page 26



OPERATOR PANEL ENCLOSURES

Page 34



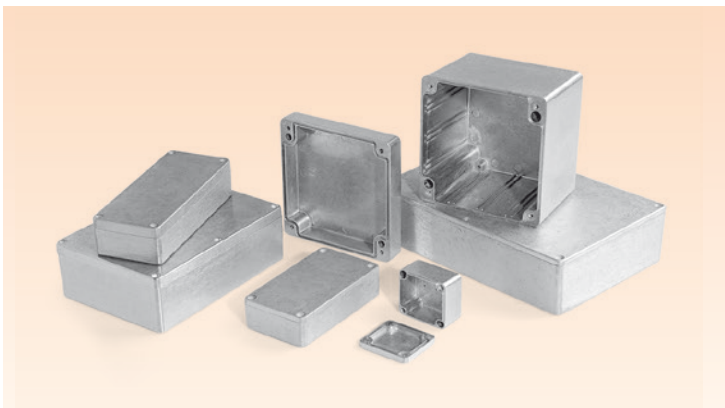
IP-67 HEAVY DUTY ENCLOSURES

Page 36



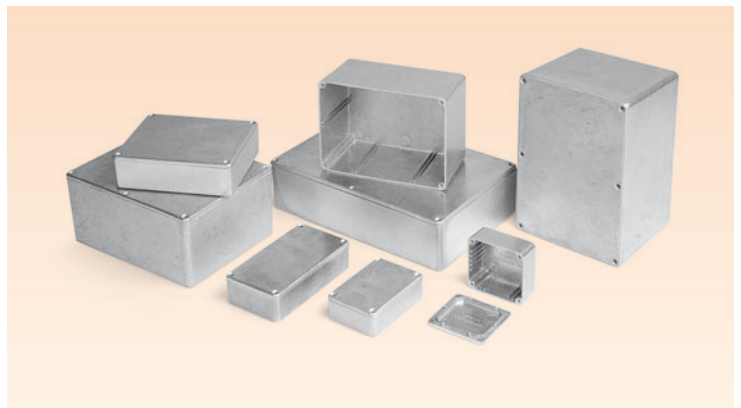
IP-67 FLANGED HEAVY DUTY ENCLOSURES

Page 37



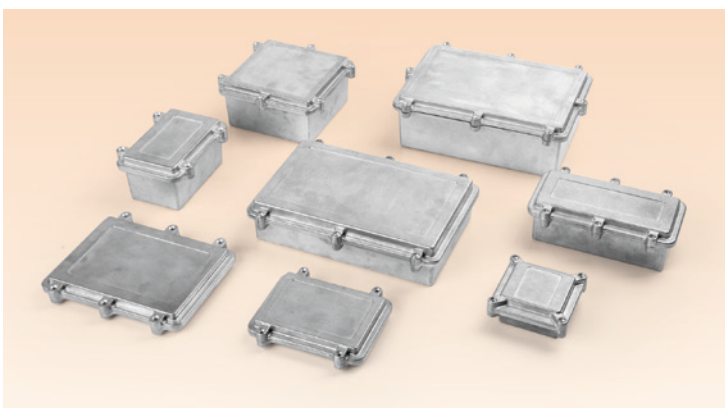
IP-65 THICK WALL DIECAST ENCLOSURES

Page 38



IP-65 THIN WALL DIE-CAST ENCLOSURES

Page 39



IP-67 EMI SHIELDED DIECAST ENCLOSURES

Page 40



IP-67 CONTROL ENCLOSURES

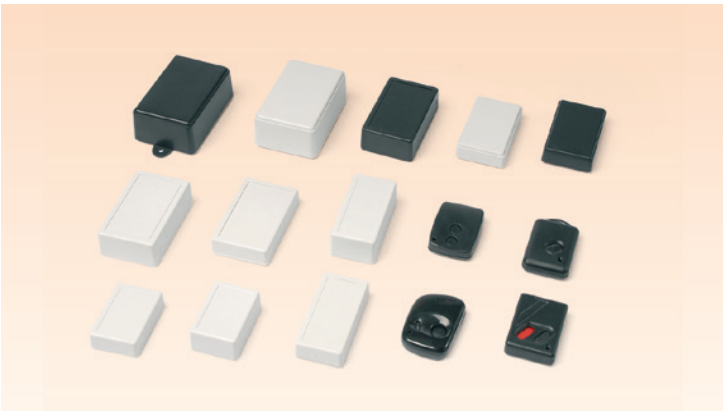
Page 41



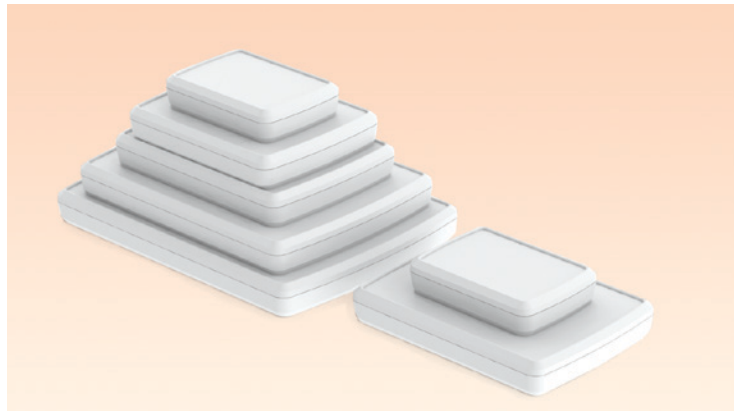
IP-67 ENCLOSURES WITH CABLE GLAND Page 42



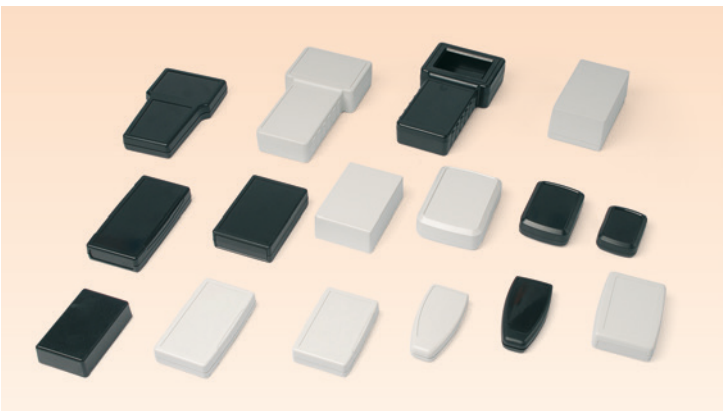
IP-67 HINGED ENCLOSURES Page 44



POCKET SIZE ENCLOSURES Page 48



TABLET ENCLOSURES Page 51



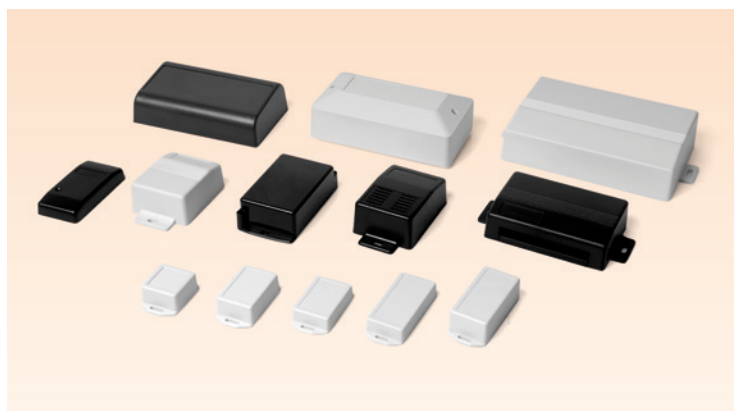
HAND HELD ENCLOSURES Page 52



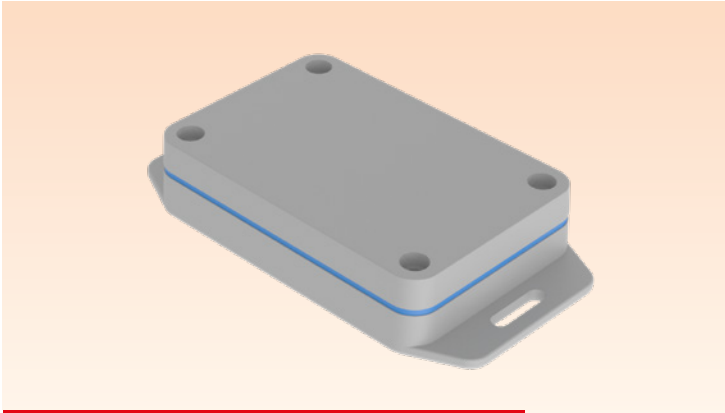
MODEM ENCLOSURES Page 58



ADAPTOR ENCLOSURES Page 59

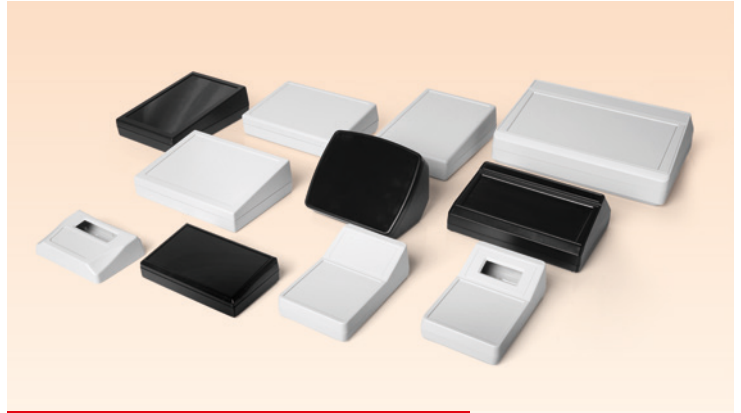


WALL-MOUNT ENCLOSURES Page 60



IP-67 IOT SENSOR ENCLOSURES

Page 67



SLOPED DESKTOP ENCLOSURES

Page 68



RASPBERRY PI ENCLOSURES

Page 71



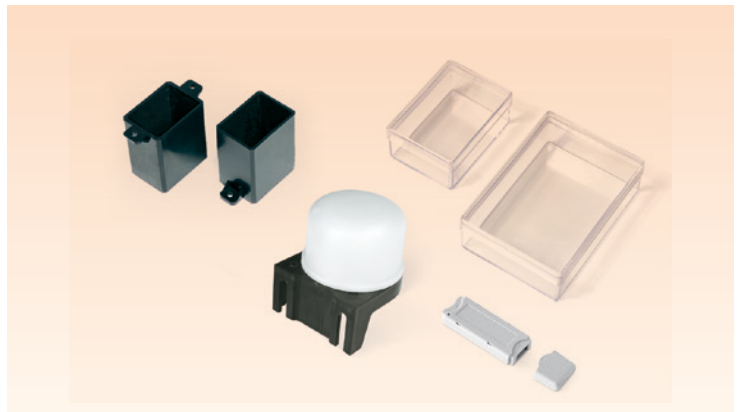
DIN PANEL ENCLOSURES

Page 72



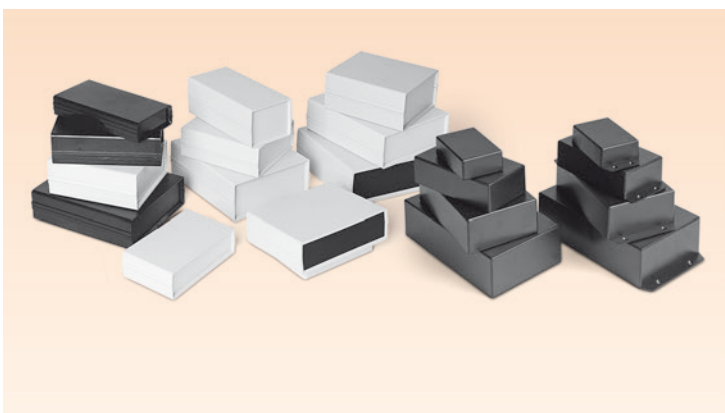
EMERGENCY CALL ENCLOSURES

Page 78



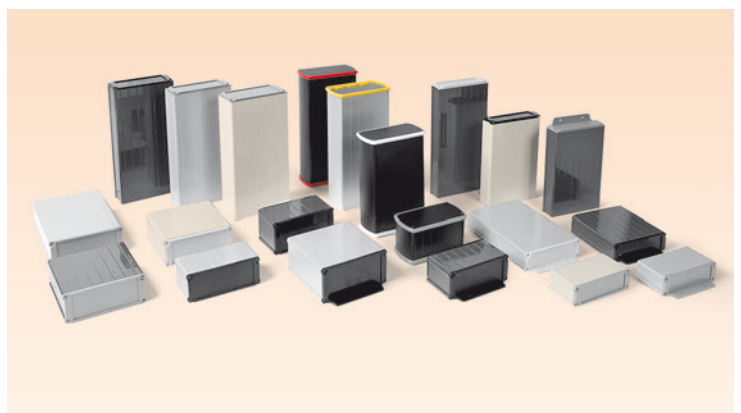
OTHER ENCLOSURES

Page 79



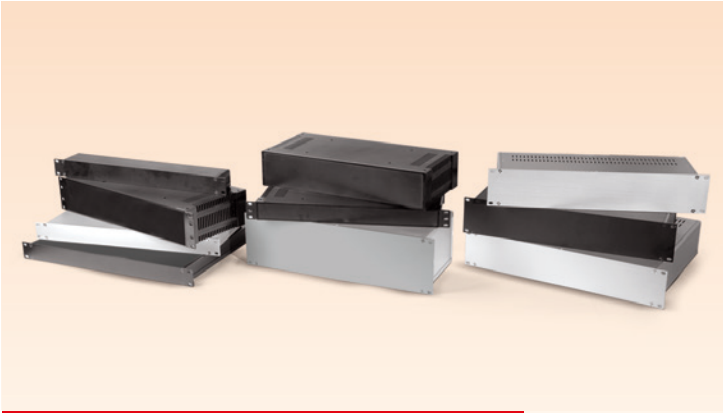
PLASTIC PROJECT ENCLOSURES

Page 80



ALUMINUM PROFILE ENCLOSURES

Page 82



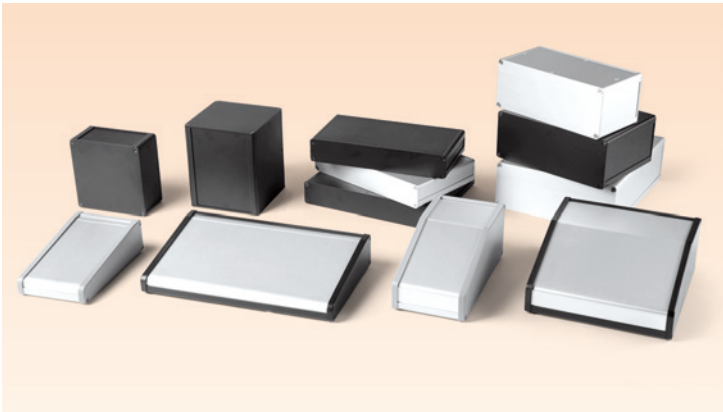
19" RACK ENCLOSURES

Page 86



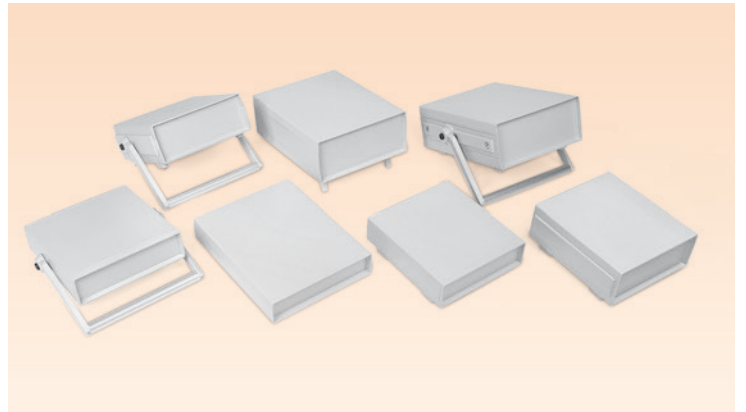
METAL PROJECT ENCLOSURES

Page 89



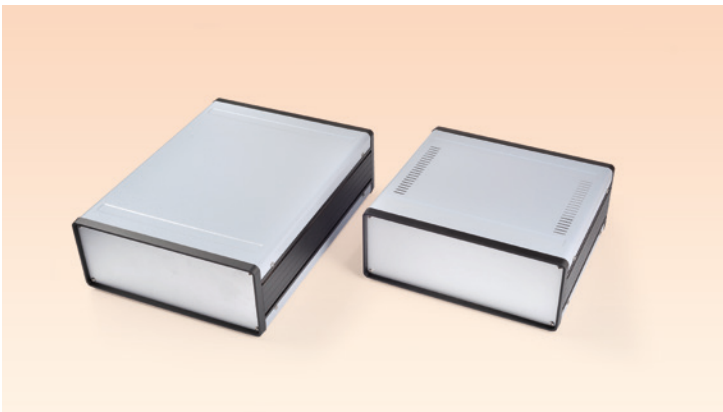
MODULAR METAL ENCLOSURES

Page 90



PLASTIC LABORATORY ENCLOSURES

Page 92



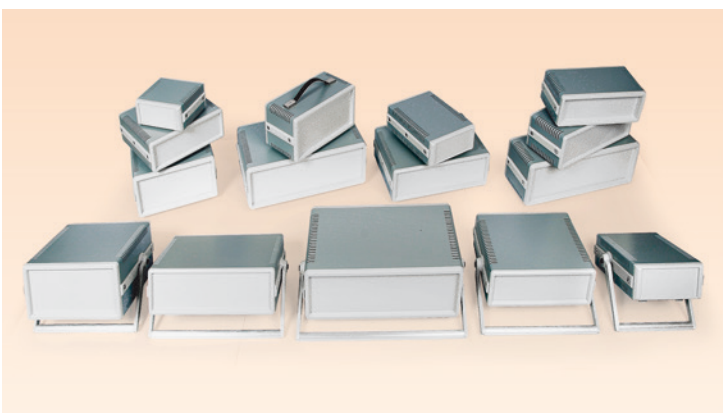
ALUMINUM LABORATORY ENCLOSURES

Page 93



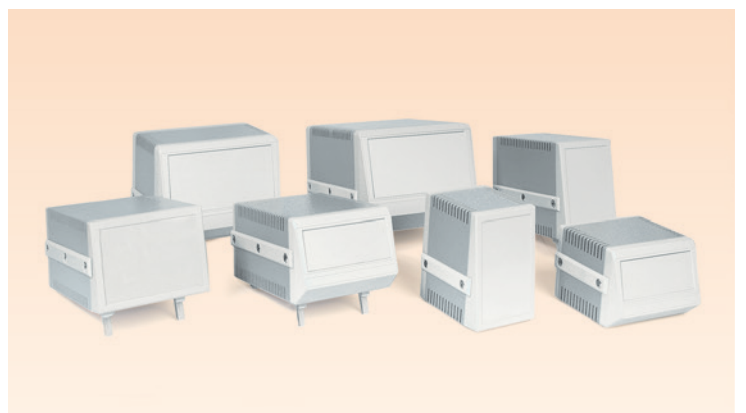
DESKTOP LABORATORY ENCLOSURES

Page 97



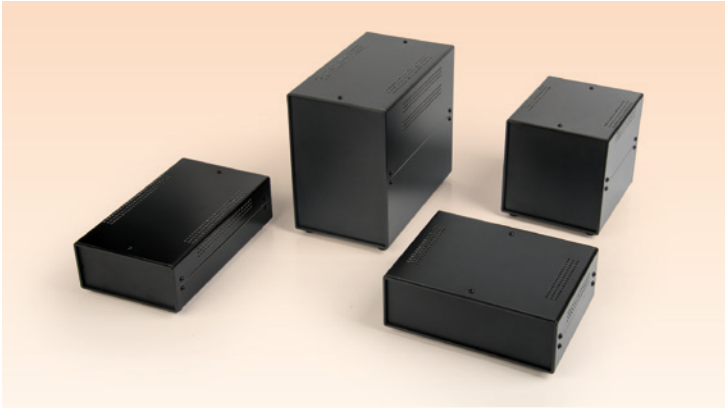
DESKTOP LABORATORY ENCLOSURES

Page 94



SLOPED LABORATORY ENCLOSURES

Page 98



ALUMINUM PROJECT ENCLOSURES

Page 102



LABORATORY POWER SOURCE ENCLOSURES

Page 104



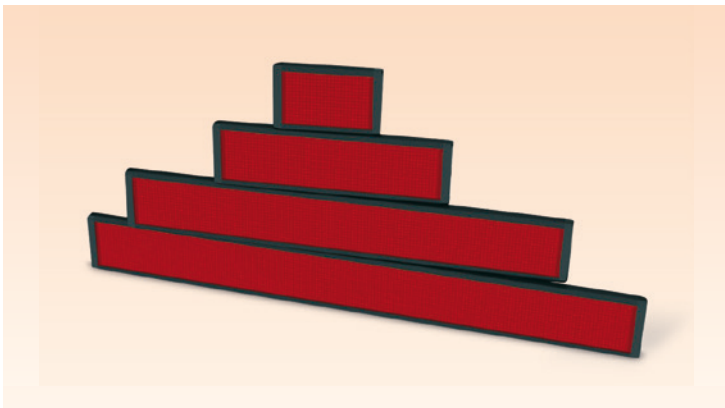
CONTROL PANEL ENCLOSURES

Page 105



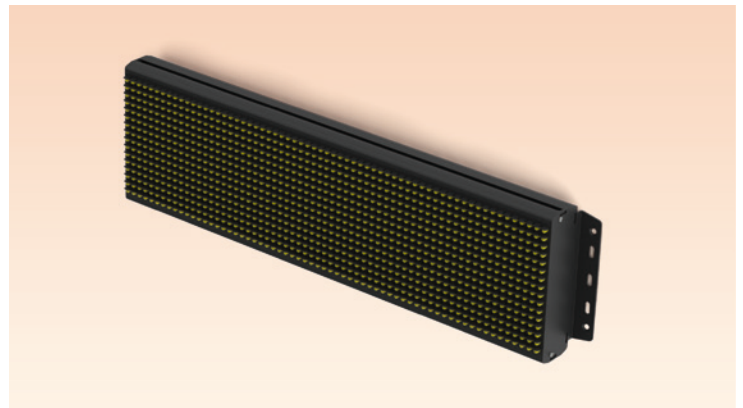
PLASTIC CASES

Page 106



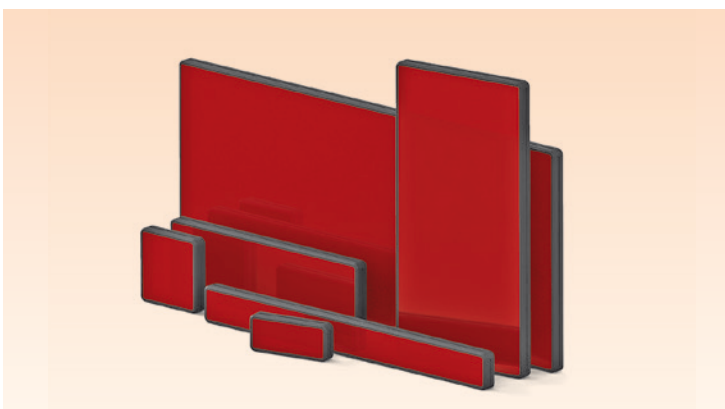
PROFIL DISPLAY ENCLOSURES

Page 108



P10 PANEL DISPLAY ENCLOSURES

Page 109



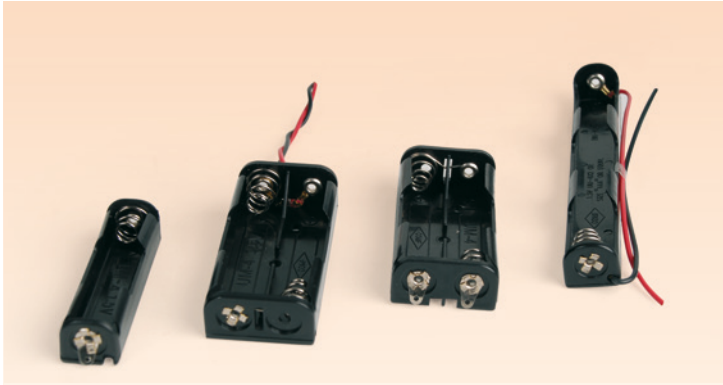
MODULAR DISPLAY ENCLOSURES

Page 110



DISPLAY ENCLOSURES

Page 111



BATTERY HOLDERS

Page 114



COIN CELL

Page 119



ACCESSORIES

Page 121



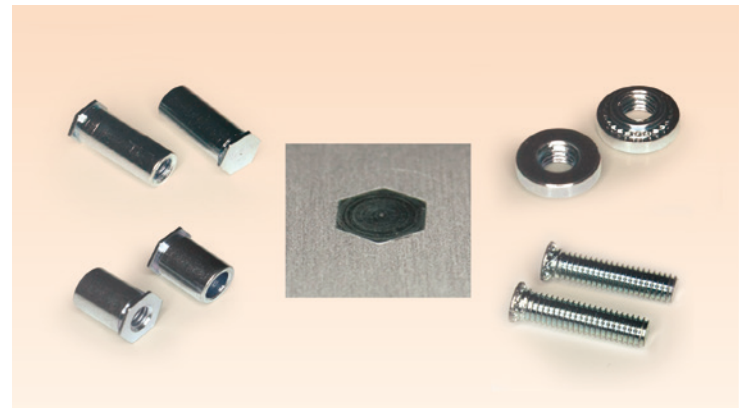
CABLE GLANDS

Page 122



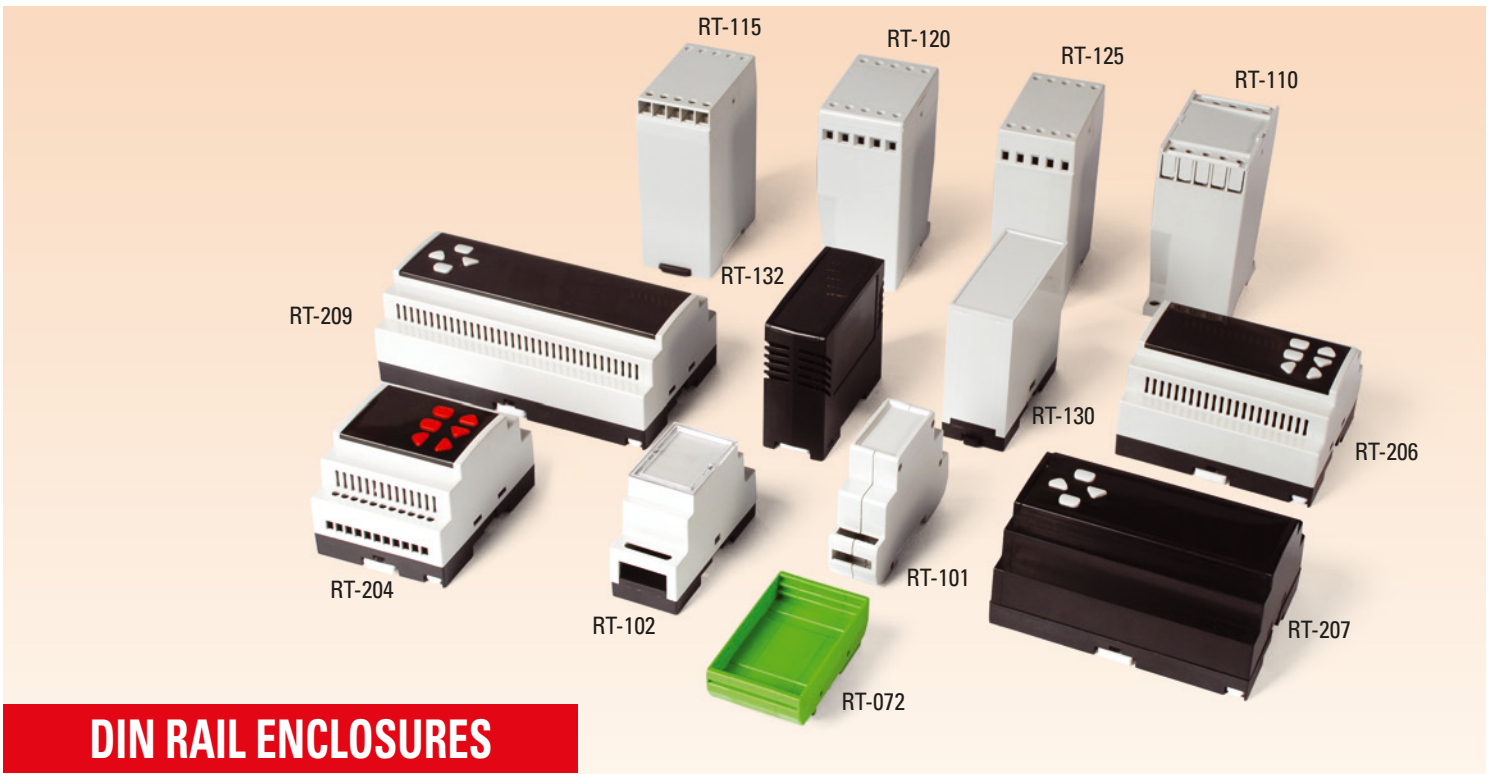
SPACERS / STANDOFFS

Page 126

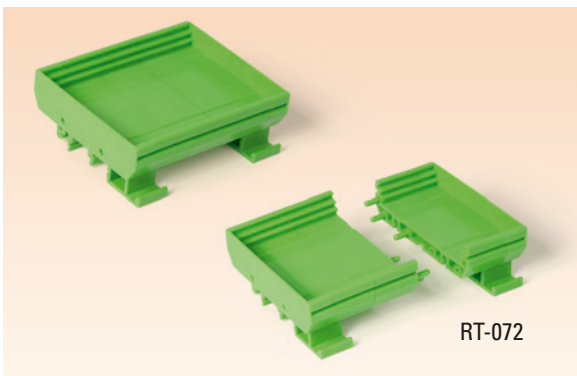


CLINCHING FASTENERS

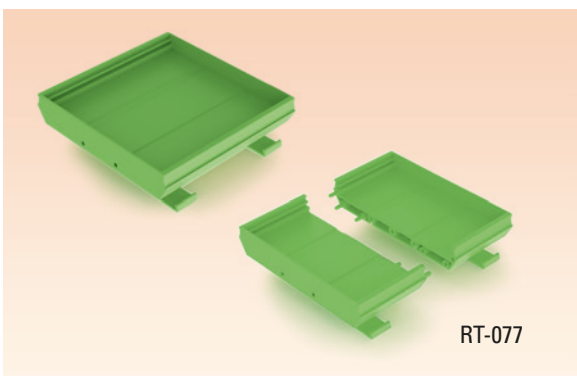
Page 144



DIN RAIL ENCLOSURES

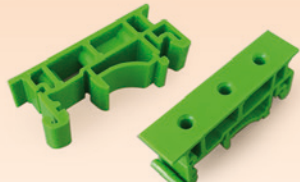


RT-072		DIN RAIL ENCLOSURES	
	CARD RAILS 72 mm WIDTH	MATERIAL	PA
		COLOR	GREEN
		PCB WIDTH	72 mm or 68 mm
		PCB LENGTH	21mm + 22,6x SPACER



RT-077		DIN RAIL ENCLOSURES	
	CARD RAILS 107 mm WIDTH	MATERIAL	PA
		COLOR	GREEN
		PCB WIDTH	107mm

RT-025 DIN MOUNTING CARD RAIL (RAIL DISTANCE)




RT-025	MATERIAL	PA
	COLOR	GREEN

RT-075 WALL MOUNTING KIT (SHORT)

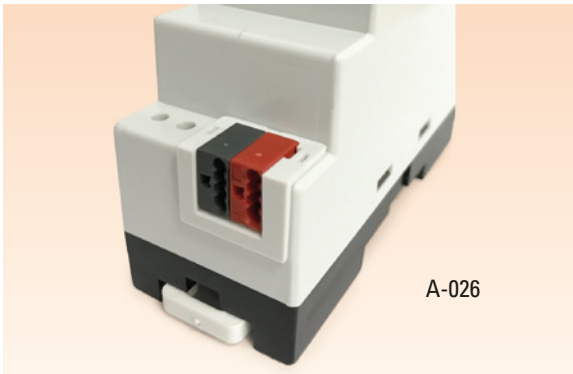


RT-075	MATERIAL	PA
	COLOR	GREEN

RT-076 WALL MOUNTING KIT (LONG)



RT-076	MATERIAL	PA
	COLOR	GREEN



A-026

KNX CONNECTOR

MATERIAL	ABS
COLOR	LIGHT GRAY / BLACK
PACKAGING	50 PCS/BOX

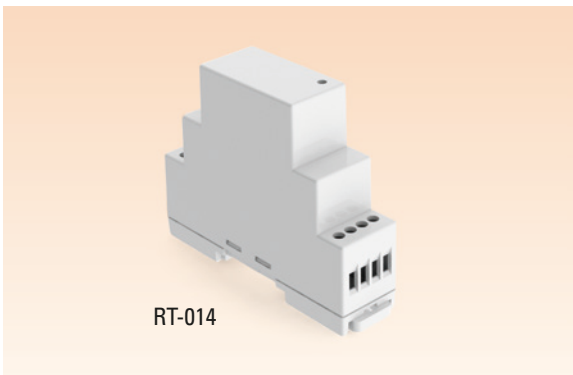


RT-101

25 x 90 x 67 mm

DIN RAIL ENCLOSURES

MATERIAL	ABS
COLOR	LIGHT GRAY
PACKAGING	50 PCS/BOX



RT-014

90 x 25 x 73 mm

DIN RAIL ENCLOSURES

MATERIAL	ABS
COLOR	LIGHT GRAY
PACKAGING	20 PCS/BOX



RT-130

STANDARD
36 x 86 x 77 mm

DIN RAIL ENCLOSURES

RT-130-08

8 PINS SOCKET TYPE

RT-130-11

11 PINS SOCKET TYPE

MATERIAL	ABS
COLOR	LIGHT GRAY
PACKAGING	20 PCS/BOX

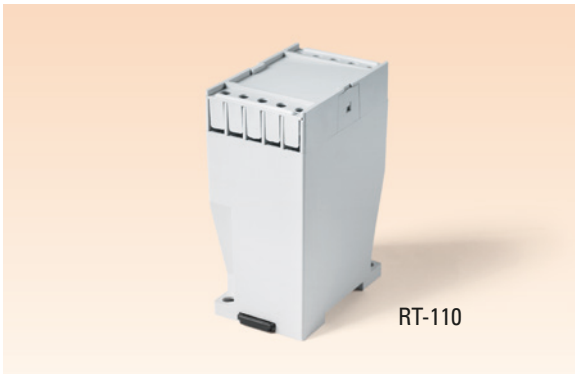


RT-132

36 x 86 x 77 mm

DIN RAIL ENCLOSURES

MATERIAL	ABS
COLOR	BLACK
PANEL	SMOKED / BLACK
PACKAGING	20 PCS/BOX



RT-110

50 x 75 x 110 mm

DIN RAIL ENCLOSURES

MATERIAL	ABS
COLOR	LIGHT GRAY
PACKAGING	50 PCS/BOX

RELATED ACCESSORIES

A-140 TERMINAL



RT-115

78 x 45 x 119 mm

DIN RAIL ENCLOSURES

MATERIAL	ABS
COLOR	LIGHT GRAY
PACKAGING	50 PCS/BOX

RELATED ACCESSORIES

A-144 TERMINAL



RT-120

50 x 75 x 110 mm

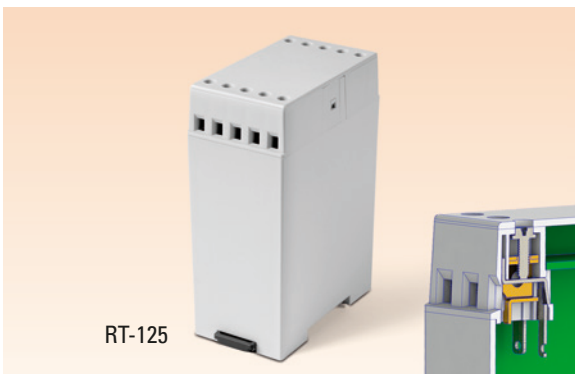
DIN RAIL ENCLOSURES

MATERIAL	ABS
COLOR	LIGHT GRAY
PACKAGING	50 PCS/BOX

RELATED ACCESSORIES

A-142 TERMINAL

A-143 TERMINAL CAP



RT-125

78 x 45 x 110 mm

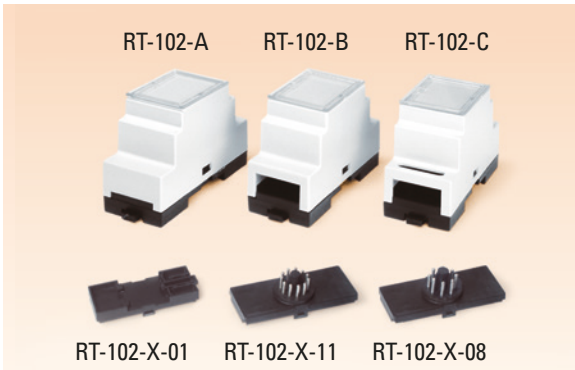
DIN RAIL ENCLOSURES

MATERIAL	ABS
COLOR	LIGHT GRAY
PACKAGING	50 PCS/BOX

RELATED ACCESSORIES

A-146 TERMINAL

A-147 TERMINAL CAP

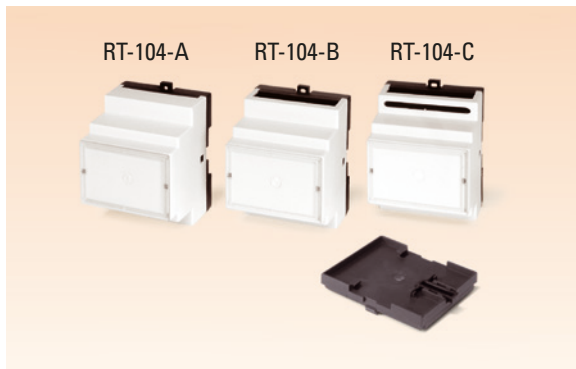


RT-102

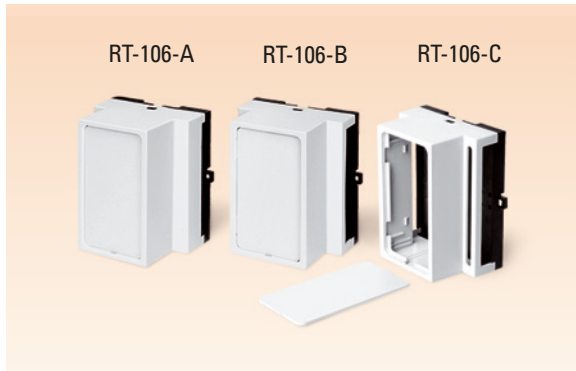
35 x 86 x 59 mm

DIN RAIL ENCLOSURES

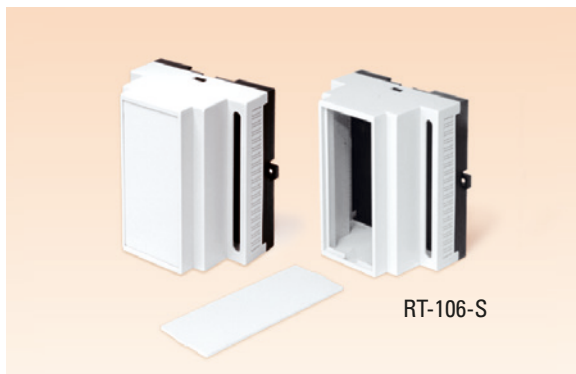
RT-102-A	TERMINAL HOLES CLOSED	MATERIAL	ABS
RT-102-B	FOR SOCKET TERMINAL	COLOR	LIGHT GRAY / BLACK
RT-102-C	FOR SCREW TERMINAL	PANEL	CLEAR
		PACKAGING	20 PCS/BOX
		BASE OPTIONS	
		RT-102-X-01	DIN RAIL MOUNT
		RT-102-X-08	8 PINS SOCKET TYPE
		RT-102-X-11	11 PINS SOCKET TYPE



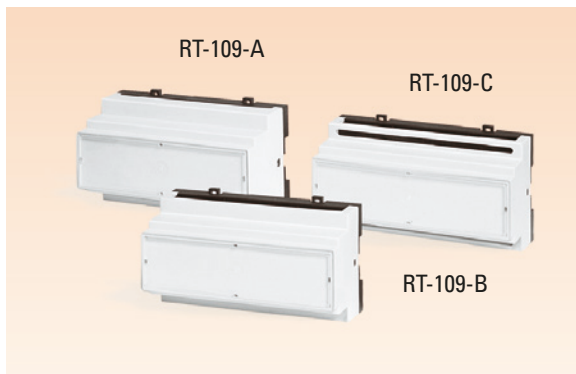
RT-104	69 x 86 x 59 mm	DIN RAIL ENCLOSURES	
RT-104-A	TERMINAL HOLES CLOSED	MATERIAL	ABS
RT-104-B	FOR SOCKET TERMINAL	COLOR	LIGHT GRAY / BLACK
RT-104-C	FOR SCREW TERMINAL	PANEL	CLEAR
		PACKAGING	20 PCS/BOX



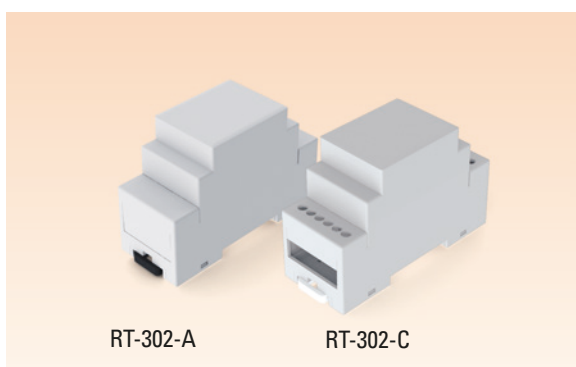
RT-106	105 x 86 x 58 mm	DIN RAIL ENCLOSURES	
RT-106-A	TERMINAL HOLES CLOSED	MATERIAL	ABS
RT-106-B	FOR SOCKET TERMINAL	COLOR	LIGHT GRAY
RT-106-C	FOR SCREW TERMINAL	PACKAGING	20 PCS/BOX



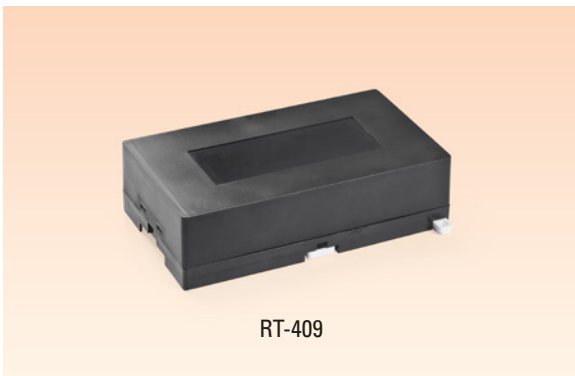
RT-106-S	105 x 86 x 58 mm	DIN RAIL ENCLOSURES	
		MATERIAL	ABS
		COLOR	LIGHT GRAY
		PACKAGING	20 PCS/BOX



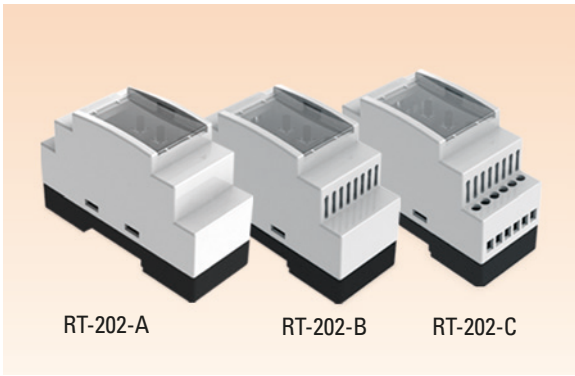
RT-109	159 x 87 x 60 mm	DIN RAIL ENCLOSURES	
RT-109-A	TERMINAL HOLES CLOSED	MATERIAL	ABS
RT-109-B	FOR SOCKET TERMINAL	COLOR	LIGHT GRAY
RT-109-C	FOR SCREW TERMINAL	PACKAGING	20 PCS/BOX



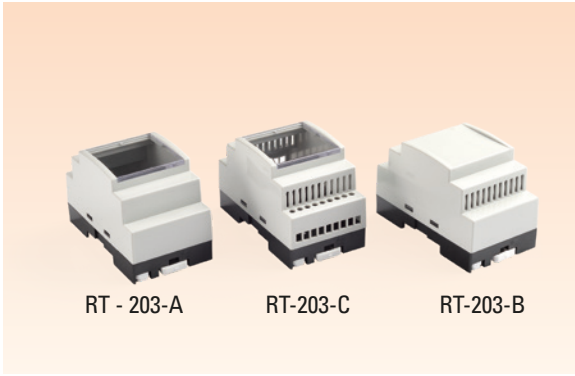
RT-302	36,7 x 90,3 x 60 mm	DIN RAIL ENCLOSURES	
RT-302-A	CLOSED	MATERIAL	ABS
RT-302-C	FOR SCREW TERMINAL	COLOR	LIGHT GRAY
RT-302-E	FOR SOCKET TERMINAL	PANEL	LIGHT GRAY
		PACKAGING	20 PCS/BOX



RT-409	157,5 x 90 x 43 mm	DIN RAIL ENCLOSURES	
		MATERIAL	ABS
		COLOR	BLACK / LIGHT GRAY
		PACKAGING	20 PCS/BOX



RT-202	35 x 86 x 59 mm	DIN RAIL ENCLOSURES	
RT-202-A	FULLY CLOSED	MATERIAL	ABS
		COLOR	LIGHT GRAY
RT-202-B	VENTILATION	PANEL	CLEAR / SMOKED / LIGHT GRAY
		PACKAGING	20 PCS/BOX
RT-202-C	FOR SCREW TERMINAL		
RT-202-D	BREAKABLE FOR SOCKET TERMINAL		




RT-203	52,5 x 90 x 59 mm	DIN RAIL ENCLOSURES	
RT-203-A	FULLY CLOSED	MATERIAL	ABS
		COLOR	LIGHT GRAY / BLACK
RT-203-B	VENTILATION	PANEL	CLEAR / SMOKED / LIGHT GRAY
		PACKAGING	20 PCS/BOX
RT-203-C	FOR SCREW TERMINAL		
RT-203-D	BREAKABLE FOR SOCKET TERMINAL		



RT-204	70 x 91 x 58,4 mm	DIN RAIL ENCLOSURES	
RT-204-A	FULLY CLOSED	MATERIAL	ABS
		COLOR	LIGHT GRAY
RT-204-B	VENTILATION	PANEL	CLEAR / SMOKED / LIGHT GRAY
		PACKAGING	20 PCS/BOX
RT-204-C	FOR SCREW TERMINAL		
RT-204-D	BREAKABLE FOR SOCKET TERMINAL		

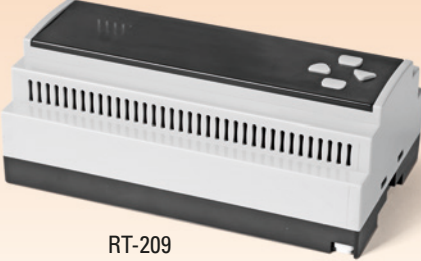


RT-206	105 x 91 x 58,4 mm	DIN RAIL ENCLOSURES	
RT-206-A	FULLY CLOSED	MATERIAL	ABS
		COLOR	LIGHT GRAY
RT-206-B	VENTILATION	PANEL	CLEAR / SMOKED / LIGHT GRAY
		PACKAGING	20 PCS/BOX
RT-206-C	FOR SCREW TERMINAL		
RT-206-D	BREAKABLE FOR SOCKET TERMINAL		



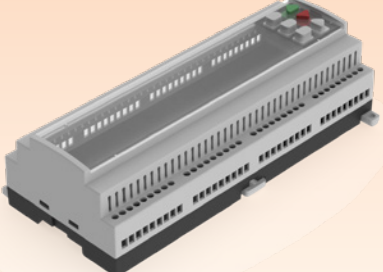
RT-207

RT-207	122,5 x 91 x 58,4 mm	DIN RAIL ENCLOSURES	
RT-207-A	FULLY CLOSED	MATERIAL	ABS
RT-207-B	VENTILATION	PANEL	CLEAR / SMOKED / LIGHT GRAY
RT-207-C	FOR SCREW TERMINAL	COLOR	LIGHT GRAY / BLACK / DARK GRAY
RT-207-D	BREAKABLE FOR SOCKET TERMINAL	PACKAGING	20 PCS/BOX
		OLD CODE	RT-107




RT-209

RT-209	157,5 x 91 x 58,4 mm	DIN RAIL ENCLOSURES	
RT-209-A	FULLY CLOSED	MATERIAL	ABS
RT-209-B	VENTILATION	PANEL	CLEAR / SMOKED / LIGHT GRAY
RT-209-C	FOR SCREW TERMINAL	COLOR	LIGHT GRAY / BLACK
RT-209-D	BREAKABLE FOR SOCKET TERMINAL	PACKAGING	20 PCS/BOX




RT-212

RT-212	212 x 90 x 59 mm	DIN RAIL ENCLOSURES	
RT-212-A	FULLY CLOSED	MATERIAL	ABS
RT-212-B	VENTILATION	COLOR	LIGHT GRAY / BLACK
RT-212-C	FOR SCREW TERMINAL	PANEL	CLEAR / SMOKED / LIGHT GRAY
RT-212-D	BREAKABLE FOR SOCKET TERMINAL	PACKAGING	20 PCS/BOX



RT-504

RT-504	70 x 90 x 45 mm	DIN RAIL ENCLOSURES	
	MATERIAL	ABS	
	COLOR	LIGHT GRAY / BLACK	
	PANEL	CLEAR / SMOKED / LIGHT GRAY	
	PACKAGING	20 PCS/BOX	



RT-506

RT-506	105 x 90 x 45 mm	DIN RAIL ENCLOSURES	
	MATERIAL	ABS	
	COLOR	LIGHT GRAY / BLACK	
	PANEL	CLEAR / SMOKED / LIGHT GRAY	
	PACKAGING	20 PCS/BOX	

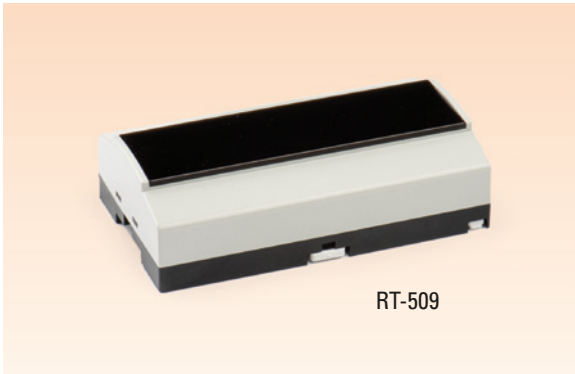


RT-507

126 x 91 x 44,7 mm

DIN RAIL ENCLOSURES

MATERIAL	ABS
COLOR	LIGHT GRAY / BLACK
PANEL	CLEAR / SMOKED / LIGHT GRAY
PACKAGING	20 PCS/BOX



RT-509

157,4 x 90 x 45 mm

DIN RAIL ENCLOSURES

MATERIAL	ABS
COLOR	LIGHT GRAY / BLACK
PANEL	CLEAR / SMOKED / LIGHT GRAY
PACKAGING	20 PCS/BOX



RT-152

35 x 102 x 117 mm

DIN RAIL ENCLOSURES

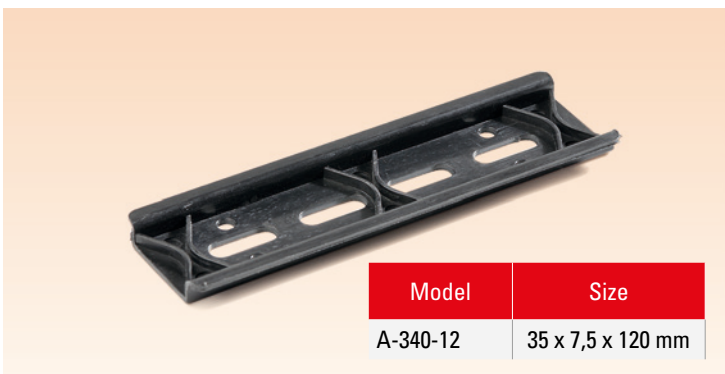
RT-152-A

WITH
TERMINAL HOLE

MATERIAL	ABS
COLOR	LIGHT GRAY / BLACK
PACKAGING	20 PCS/BOX

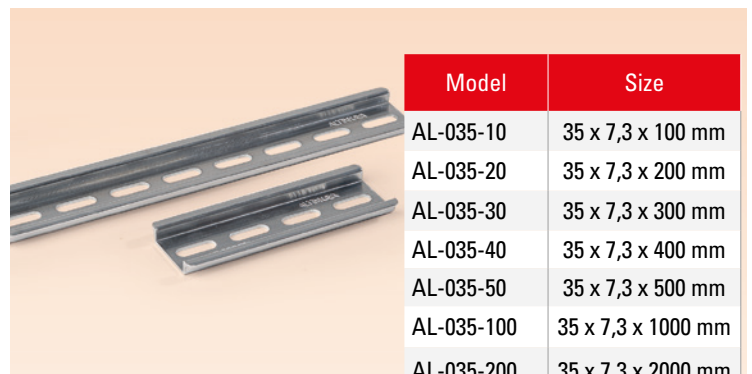
RT-152-K

WITHOUT
TERMINAL HOLE



A-340

PLASTIC DIN RAIL



AL-035

ALUMINUM DIN RAIL

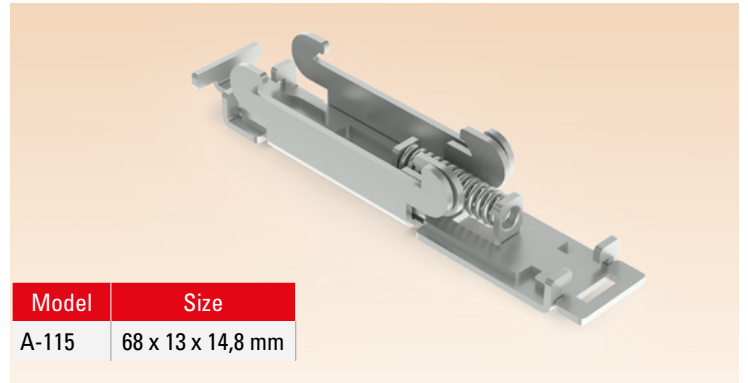
RAIL MOUNTING KITS



Model	Size
A-114	50 x 7,5 x 45 mm

A-114

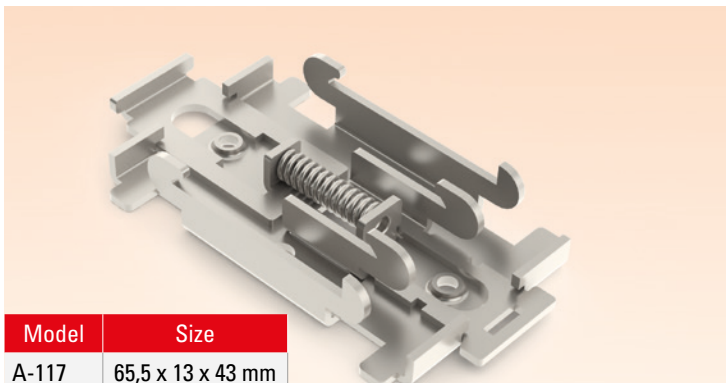
DIN RAIL MOUNTING KIT



Model	Size
A-115	68 x 13 x 14,8 mm

A-115

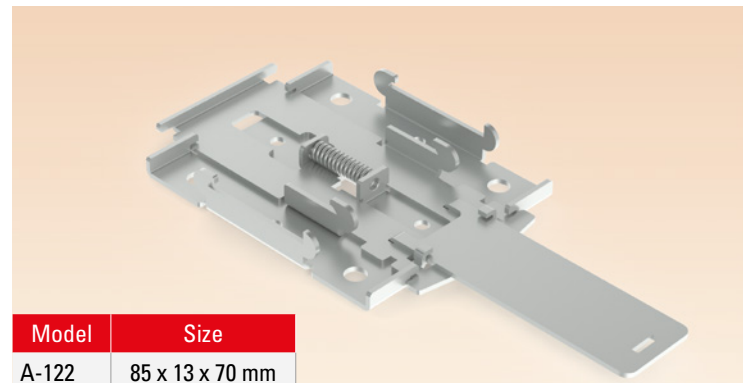
DIN RAIL MOUNTING KIT



Model	Size
A-117	65,5 x 13 x 43 mm

A-117

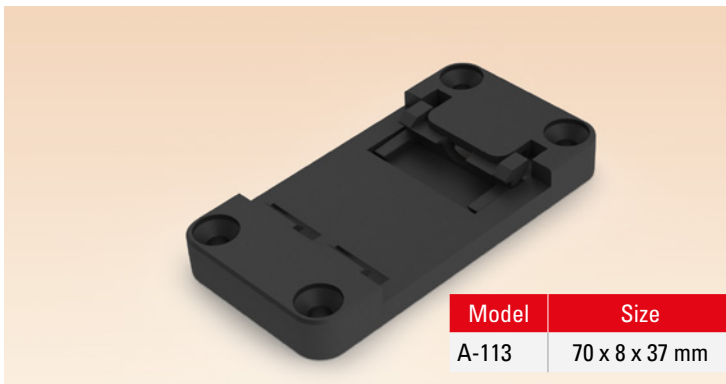
DIN RAIL MOUNTING KIT



Model	Size
A-122	85 x 13 x 70 mm

A-122

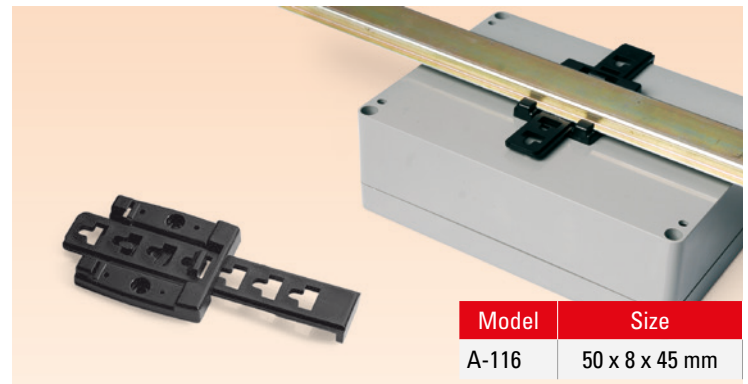
DIN RAIL MOUNTING KIT



Model	Size
A-113	70 x 8 x 37 mm

A-113

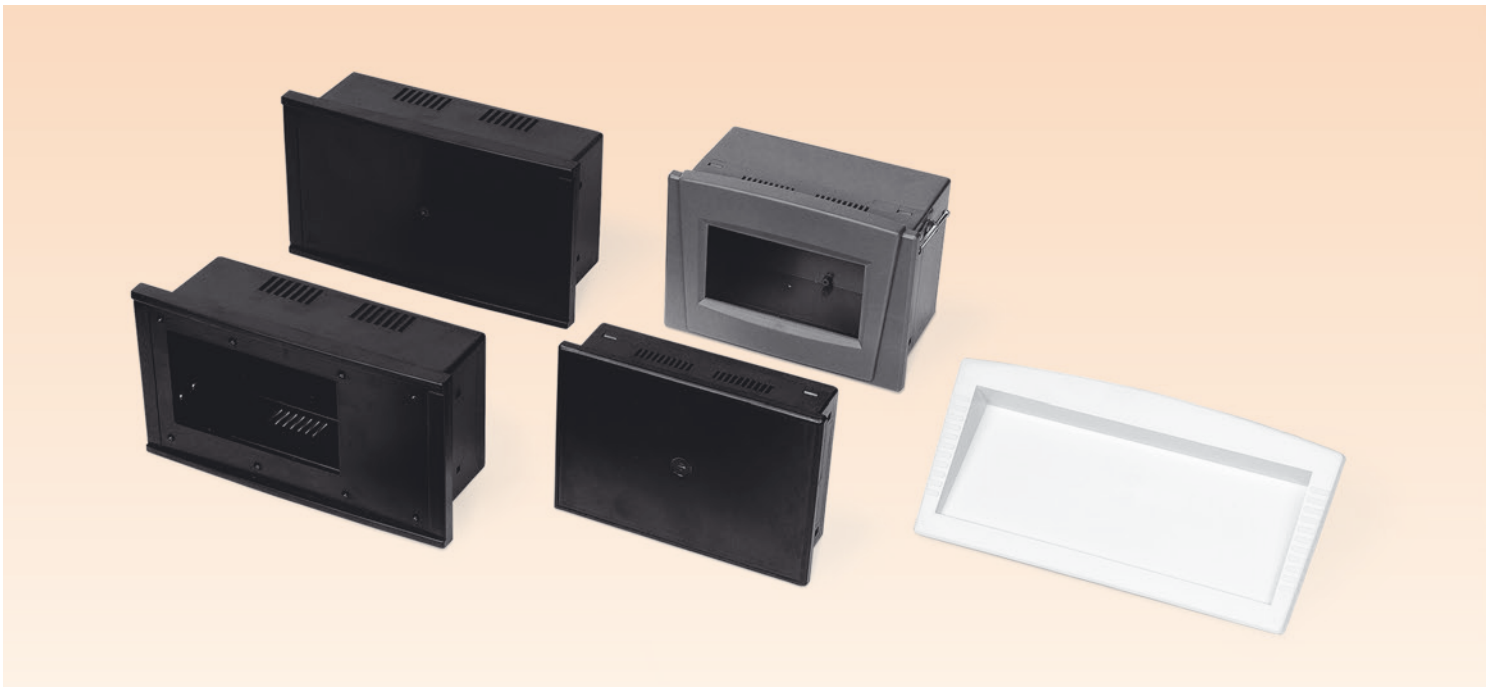
DIN RAIL MOUNTING KIT



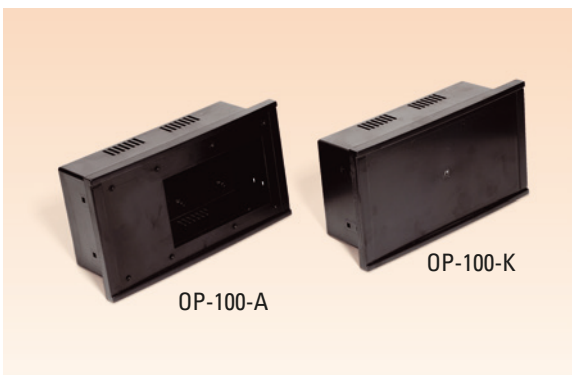
Model	Size
A-116	50 x 8 x 45 mm

A-116

DIN RAIL MOUNTING KIT



OPERATOR PANEL ENCLOSURES



OP-100-A

OPEN FRONT PANEL
233 x 130 x 83 mm

OP-100-K

CLOSED FRONT
PANEL

MATERIAL	ABS-FR
COLOR	BLACK
PACKAGING	5 PCS/BOX

OPERATOR PANEL ENCLOSURES



OP-300

CLOSED FRONT PANEL
180 x 130 x 50 mm

OP-300-A

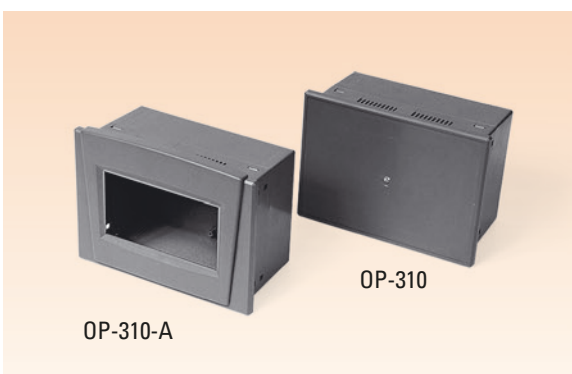
CURVED LCD PANEL

OP-300-B

FLAT LCD PANEL

MATERIAL	ABS
COLOR	DARK GRAY / BLACK / LIGHT GRAY
PACKAGING	10 PCS/BOX

OPERATOR PANEL ENCLOSURES



OP-310

CLOSED FRONT PANEL
180 x 130 x 89 mm

OP-310-A

CURVED LCD PANEL

OP-310-B

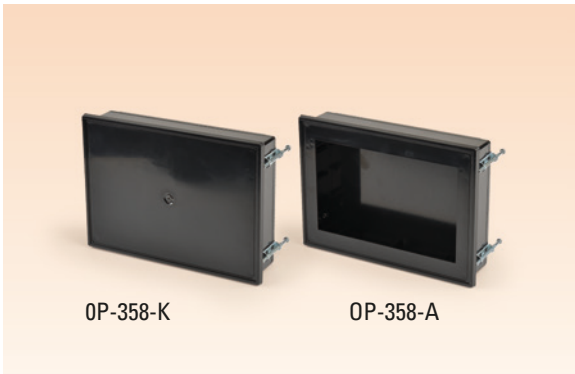
FLAT LCD PANEL

MATERIAL	ABS
COLOR	DARK GRAY / BLACK / LIGHT GRAY
PACKAGING	10 PCS/BOX

OPERATOR PANEL ENCLOSURES



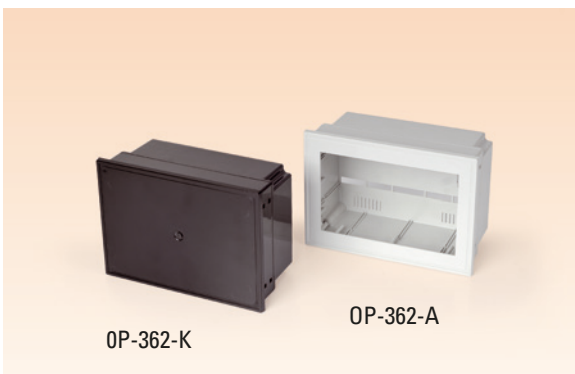
PT-340	PANEL	255 x 118 x 23 mm	OPERATOR PANEL ENCLOSURES
	MATERIAL	ABS	
	COLOR	LIGHT GRAY / DARK GRAY	
	PACKAGING	10 PCS/BOX	



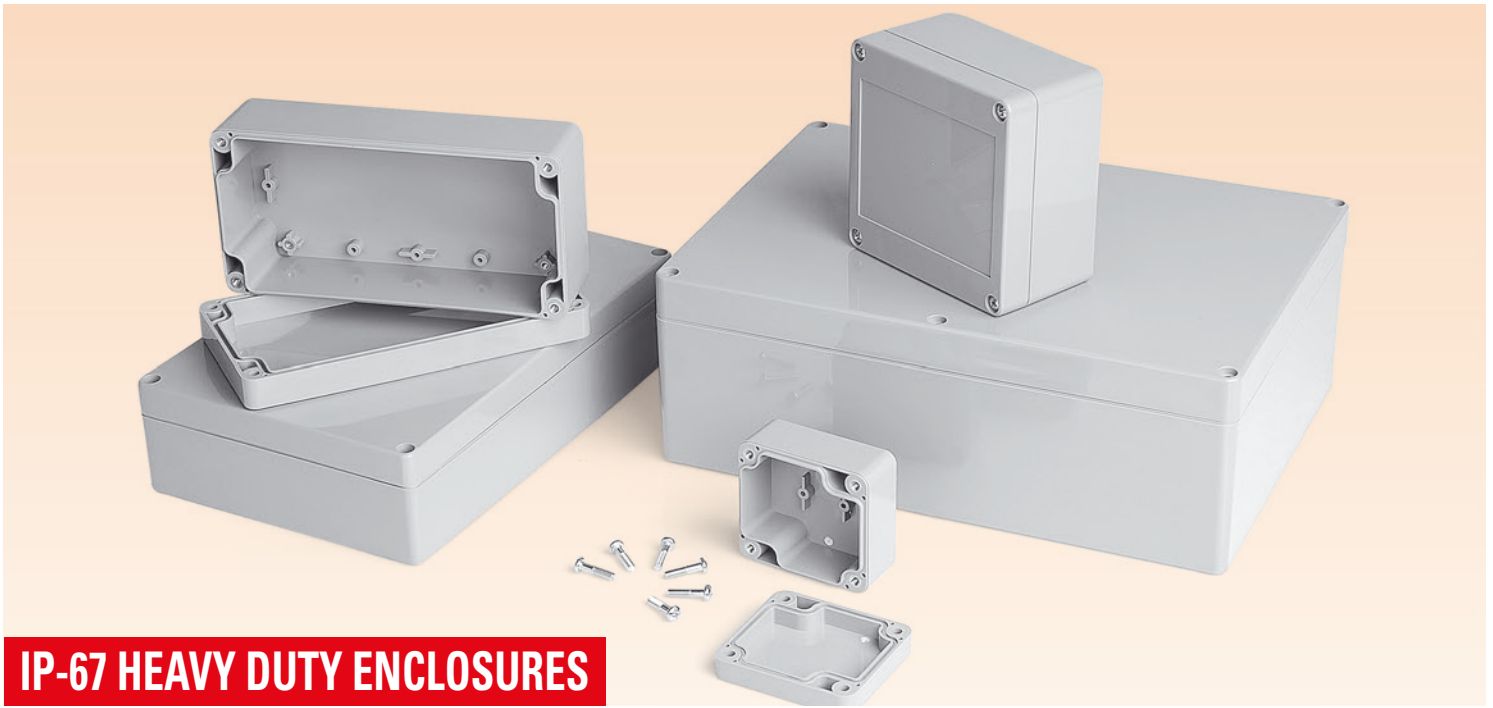
OP-358	209.6 x 146.5 x 46,5 mm	OPERATOR PANEL ENCLOSURES	
OP-358-A	7" OPEN FRONT PANEL		
OP-358-K	CLOSED FRONT PANEL		
	MATERIAL	ABS	
	COLOR	DARK GRAY / BLACK / LIGHT GRAY	
	PACKAGING	10 PCS/BOX	



OP-360	209.6 x 146.5 x 65.7 mm	OPERATOR PANEL ENCLOSURES	
OP-360-A	7" OPEN FRONT PANEL		
OP-360-K	CLOSED FRONT PANEL		
	MATERIAL	ABS	
	COLOR	DARK GRAY / BLACK / LIGHT GRAY	
	PACKAGING	10 PCS/BOX	



OP-362	209.6 x 146.5 x 92.7 mm	OPERATOR PANEL ENCLOSURES	
OP-362-A	7" OPEN FRONT PANEL		
OP-362-K	CLOSED FRONT PANEL		
	MATERIAL	ABS	
	COLOR	DARK GRAY / BLACK / LIGHT GRAY	
	PACKAGING	1 PCS/BOX	

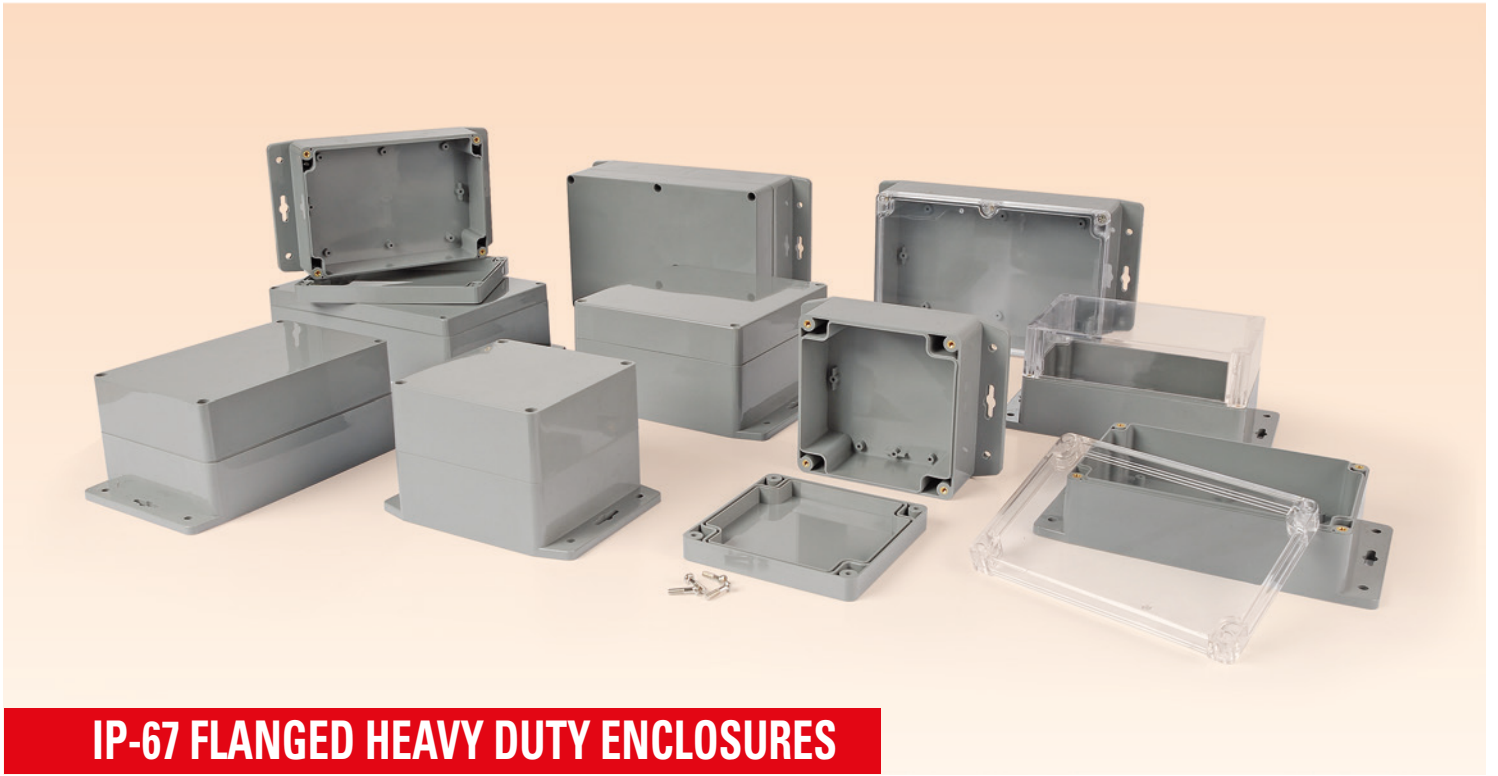


IP-67 HEAVY DUTY ENCLOSURES

- IP-67 Protection Class, waterproof enclosure
- ABS material
- TPE continuous seal
- Design excluding the wall mounting and enclosure screws for protecting waterproofness
- Brass inserts ease the opening and closing of the lid without harm
- M4 stainless screws
- Compatible with ROHS directive

	CODE	W	L	H	PROTECTION CLASS	DESCRIPTION
	SE-202	52	50	35	IP-67	Dark Gray ABS
Hinged	SH-203	48	57	41	IP-67	Dark Gray ABS
	SE-204	64	58	35	IP-67	Dark Gray ABS
	SE-205	64	68	35	IP-67	Dark Gray ABS
	SE-206	82	80	55	IP-67	Dark Gray ABS
	SE-208	184	36	35	IP-67	Dark Gray ABS
	SE-210	115	65	40	IP-67	Dark Gray ABS
	SE-035	115	65	55	IP-67	Dark Gray ABS
	SE-212	115	65	55	IP-67	Dark Gray ABS
	SE-214	120	80	55	IP-67	Dark Gray ABS
	SE-215	120	80	65	IP-67	Dark Gray ABS
	SE-216	120	80	85	IP-67	Dark Gray ABS
	SE-217	120	80	95	IP-67	Dark Gray ABS
	SE-218	100	100	55	IP-67	Dark Gray ABS
	SE-220	100	100	90	IP-67	Dark Gray ABS
	SE-222	115	90	55	IP-67	Dark Gray ABS
	SE-224	115	90	80	IP-67	Dark Gray ABS
	SE-225	160	80	40	IP-67	Dark Gray ABS
	SE-226	160	80	55	IP-67	Dark Gray ABS
	SE-228	160	80	85	IP-67	Dark Gray ABS
	SE-230	120	120	60	IP-67	Dark Gray ABS
	SE-232	120	120	90	IP-67	Dark Gray ABS
	SE-234	195	80	55	IP-67	Dark Gray ABS
	SE-236	171	121	55	IP-67	Dark Gray ABS
	SE-050	171	121	55	IP-67	Dark Gray ABS

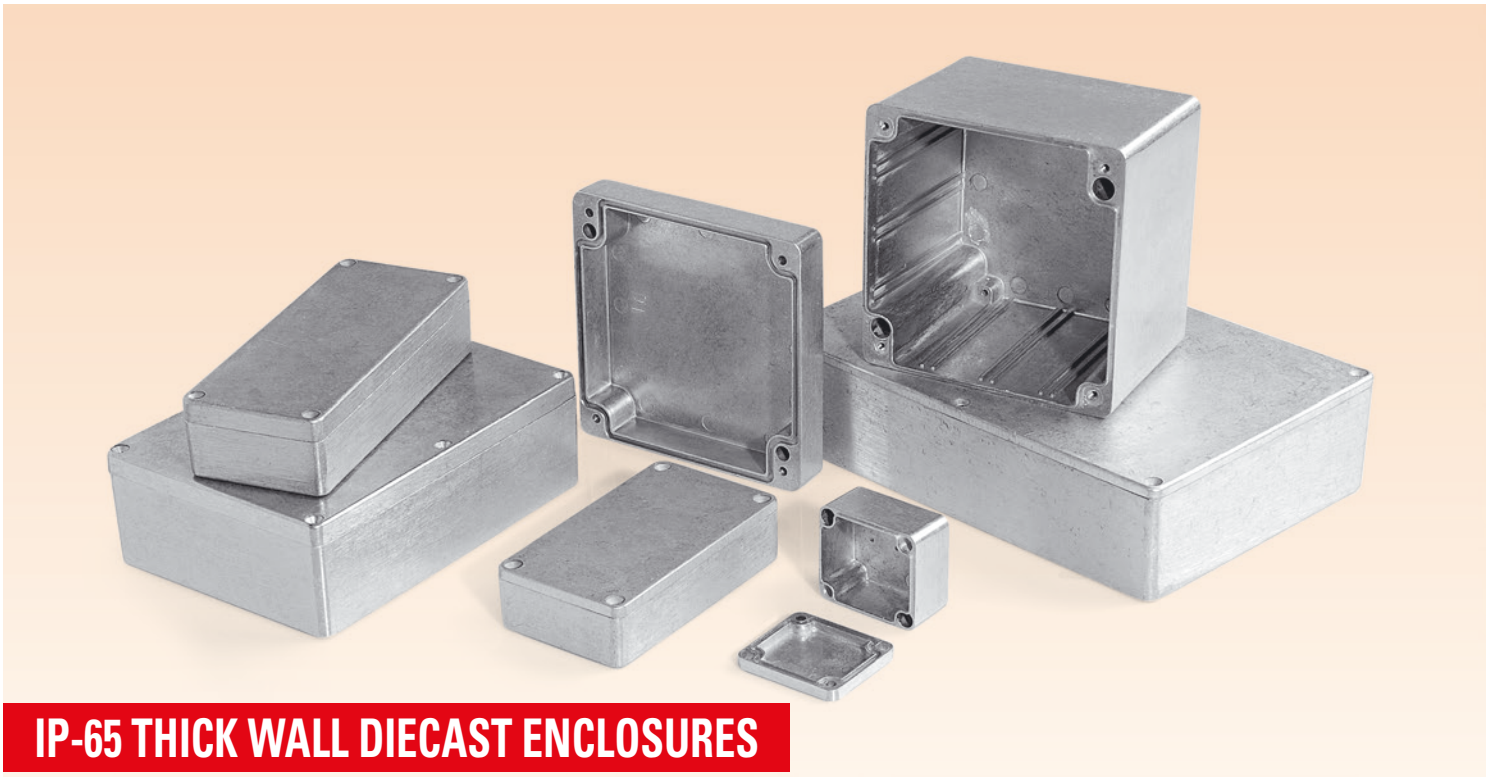
	CODE	W	L	H	PROTECTION CLASS	DESCRIPTION
	SE-056	175	90	100	IP-67	Dark Gray ABS
	SE-238	171	121	80	IP-67	Dark Gray ABS
	SE-240	200	120	75	IP-67	Dark Gray ABS
	SE-242	200	120	90	IP-67	Dark Gray ABS
	SE-244	160	160	60	IP-67	Dark Gray ABS
	SE-246	160	160	90	IP-67	Dark Gray ABS
	SE-248	240	120	60	IP-67	Dark Gray ABS
	SE-249	190	190	55	IP-67	Dark Gray ABS
	SE-250	240	120	100	IP-67	Dark Gray ABS
	SE-252	200	150	55	IP-67	Dark Gray ABS
	SE-254	200	150	75	IP-67	Dark Gray ABS
	SE-256	222	146	55	IP-67	Dark Gray ABS
	SE-258	222	146	75	IP-67	Dark Gray ABS
	SE-259	215	175	55	IP-67	Dark Gray ABS
	SE-260	240	160	90	IP-67	Dark Gray ABS
	SE-262	240	160	120	IP-67	Dark Gray ABS
	SE-264	265	185	95	IP-67	Dark Gray ABS
	SE-266	353	140	121,5	IP-67	Dark Gray ABS
	SE-268	300	230	86	IP-67	Dark Gray ABS
	SE-269	250	250	120	IP-67	Dark Gray ABS
	SE-270	300	230	111	IP-67	Dark Gray ABS
	SE-272	360	200	150	IP-67	Dark Gray ABS
	SE-2260	313	228	94	IP-67	Dark Gray ABS



IP-67 FLANGED HEAVY DUTY ENCLOSURES

- IP-67 Protection class, waterproof enclosure
- ABS material
- TPE continuous seal
- Design excluding the wall mounting and enclosure screws for protecting waterproofness
- Brass inserts ease the opening and closing of the lid without harm
- M4 Stainless Screws
- Compatible with ROHS directive

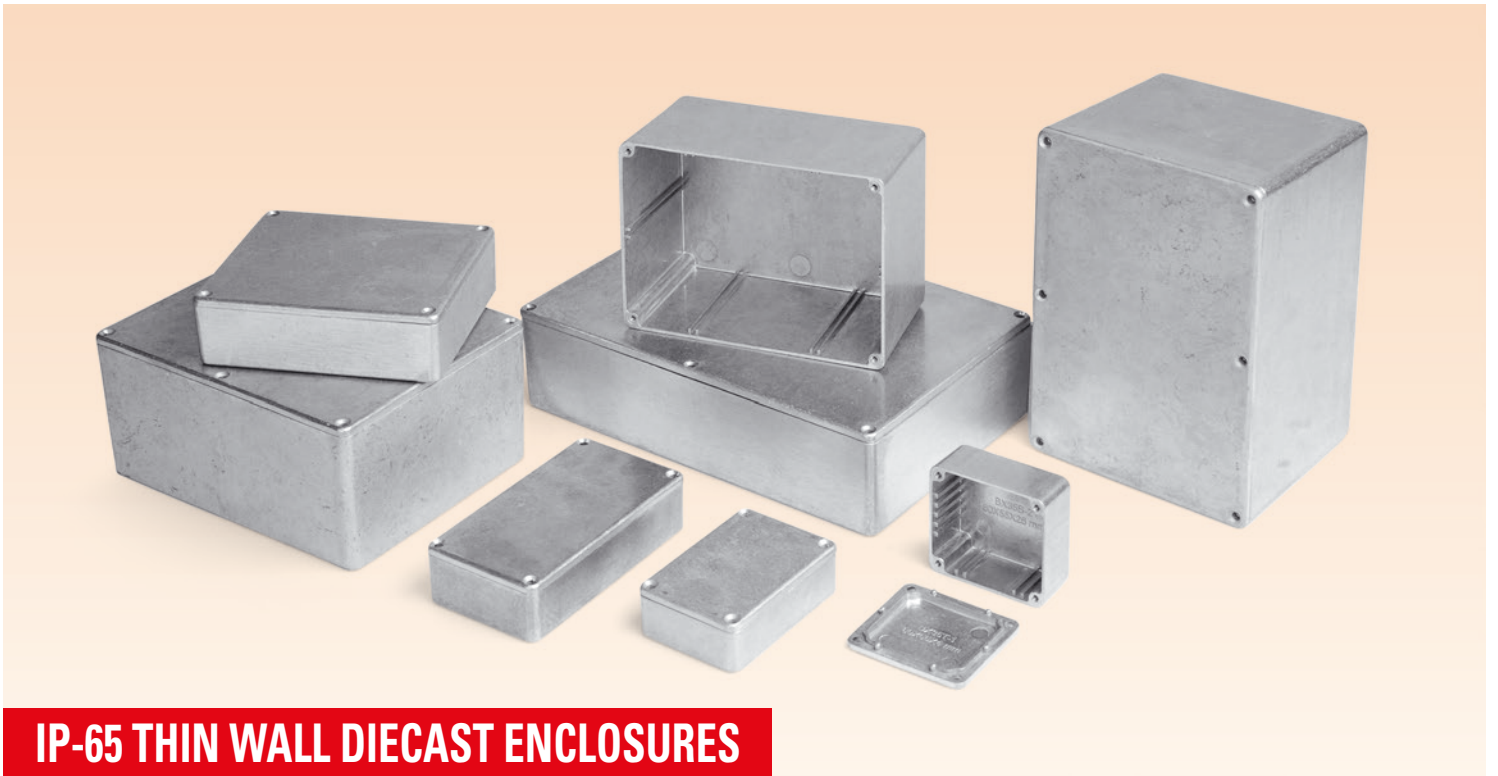
CODE	W	L	H	PROTECTION CLASS	DESCRIPTION
SF - 202	84	50	39	IP-67	Dark Gray ABS
SF - 204	100	58	38,5	IP-67	Dark Gray ABS
SF - 206	118	82	66	IP-67	Dark Gray ABS
SF - 207	118	82	55	IP-67	Dark Gray ABS
SF - 212	154	65	59	IP-67	Dark Gray ABS
SF - 214	158	80	59	IP-67	Dark Gray ABS
SF - 215	158,5	80	69	IP-67	Dark Gray ABS
SF - 220	142	100	100	IP-67	Dark Gray ABS
SF - 222	157,5	90	58,5	IP-67	Dark Gray ABS
SF - 226	202,5	80	58,5	IP-67	Dark Gray ABS
SF - 230	160	120	65	IP-67	Dark Gray ABS
SF - 235	520	80	58	IP-67	Dark Gray ABS
SF - 231	150	120	65	IP-67	Dark Gray ABS
SF - 232	160	120	95	IP-67	Dark Gray ABS
SF - 236	212	123	60	IP-67	Dark Gray ABS
SF - 238	212	123	85	IP-67	Dark Gray ABS
SF - 246	160	160	90	IP-67	Dark Gray ABS
SF - 256	262	146	66	IP-67	Dark Gray ABS
SF - 258	262	146	86	IP-67	Dark Gray ABS
SF - 269	300	250	120	IP-67	Dark Gray ABS



IP-65 THICK WALL DIECAST ENCLOSURES

- Standard sized aluminum injection enclosure
- ADC-12 aluminum alloy
- Design excluding the wall mounting and enclosure screws for protecting waterproofness
- Neoprene seals provides IP-65 protection class
- Natural aluminum color is standard, and can be painted to requested color
- Stainless steel connecting screws
- Compatible with ROHS directive
- Imported product

CODE	W	L	H	PROTECTION CLASS	DESCRIPTION
SE-301	50	45	30	IP-65	Sealed Aluminum Enclosure
SE-303	90	36	30	IP-65	Sealed Aluminum Enclosure
SE-305	64	58	35	IP-65	Sealed Aluminum Enclosure
SE-307	98	64	34	IP-65	Sealed Aluminum Enclosure
SE-309	115	65	30	IP-65	Sealed Aluminum Enclosure
SE-311	115	65	55	IP-65	Sealed Aluminum Enclosure
SE-313	150	63	36,5	IP-65	Sealed Aluminum Enclosure
SE-315	125	80	40	IP-65	Sealed Aluminum Enclosure
SE-317	125	80	57	IP-65	Sealed Aluminum Enclosure
SE-319	115	90	55	IP-65	Sealed Aluminum Enclosure
SE-321	120,5	120,5	101,5	IP-65	Sealed Aluminum Enclosure
SE-323	148	108	75	IP-65	Sealed Aluminum Enclosure
SE-325	160	100	60	IP-65	Sealed Aluminum Enclosure
SE-327	160	100	81	IP-65	Sealed Aluminum Enclosure
SE-329	171	121	55	IP-65	Sealed Aluminum Enclosure
SE-331	158,5	158,5	101,5	IP-65	Sealed Aluminum Enclosure
SE-333	222	146	55	IP-65	Sealed Aluminum Enclosure
SE-335	222	146	82	IP-65	Sealed Aluminum Enclosure



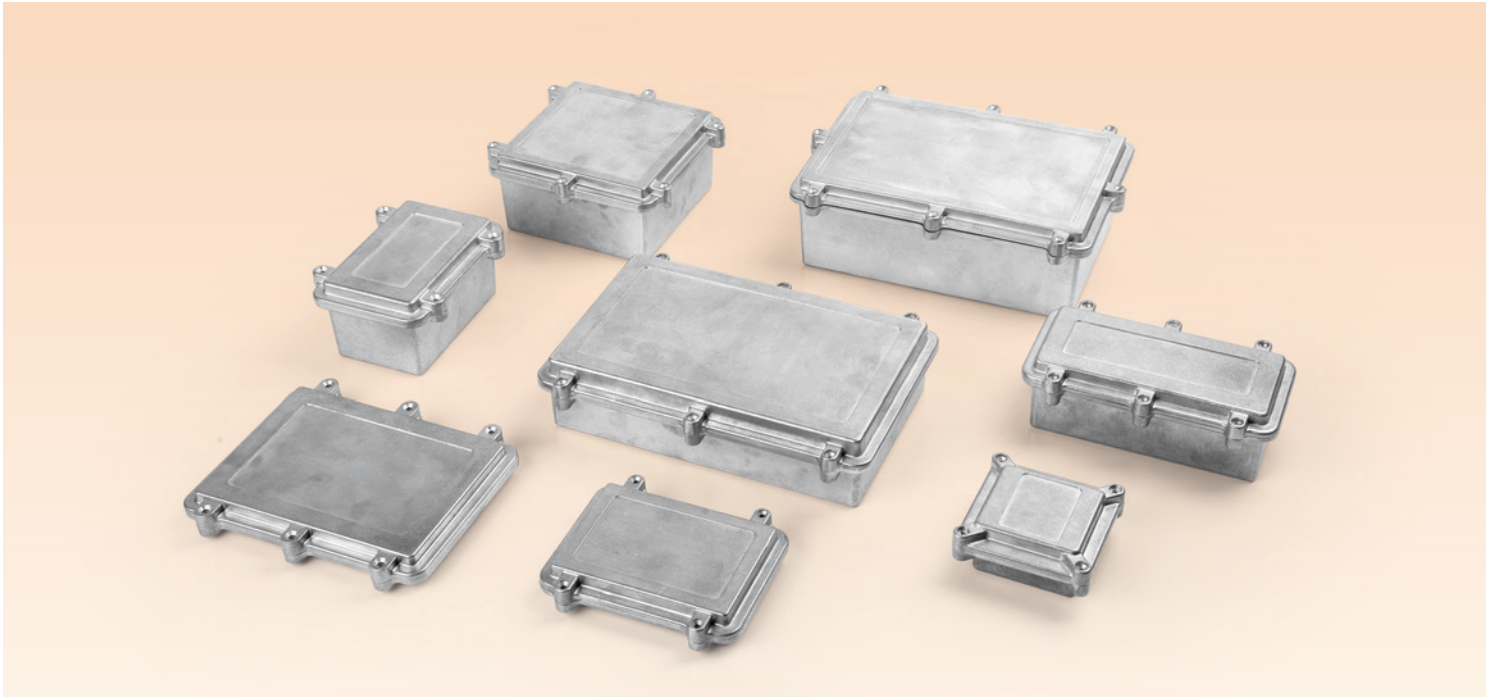
IP-65 THIN WALL DIECAST ENCLOSURES

- Aluminum injection enclosure in standard sizes
- ADC-12 Aluminum alloy material
- Optional seal provides IP-65 protection class
- Natural aluminum color, and can be painted to requested color

- 4 pcs M3.5 stainless screw is included
- Compatible with ROHS directive
- Imported product

CODE	W	L	H	PROTECTION CLASS	DESCRIPTION
SE-401	89	35	30		
SE-401-C	89	35	30	IP-65	With Seal
SE-402	60	55	30		
SE-402-C	60	55	30	IP-65	With Seal
SE-403	80	55	25		
SE-403-C	80	55	25	IP-65	With Seal
SE-404	114	64	30		
SE-404-C	114	64	30	IP-65	With Seal
SE-405	114	64	55		
SE-405-C	114	64	55	IP-65	With Seal
SE-406	114	89	55		
SE-406-C	114	89	55	IP-65	With Seal
SE-407	120	100	35		
SE-407-C	120	100	35	IP-65	With Seal
SE-408	140	100	75		
SE-408-C	140	100	75	IP-65	With Seal

CODE	W	L	H	PROTECTION CLASS	DESCRIPTION
SE-409	171	121	55		
SE-409-C	171	121	55	IP-65	With Seal
SE-410	171	121	106		
SE-410-C	171	121	106	IP-65	With Seal
SE-411	165	127	75		
SE-411-C	165	127	75	IP-65	With Seal
SE-412	222	146	55		
SE-412-C	222	146	55	IP-65	With Seal
SE-413	222	146	106		
SE-413-C	222	146	106	IP-65	With Seal
SE-414	275	175	65		
SE-414-C	275	175	65	IP-65	With Seal
SE-415	250	250	100		
SE-415-C	250	250	100	IP-65	With Seal



IP-67 EMI SHIELDED DIECAST ENCLOSURES

- Aluminum injection enclosure in standard sizes
- ADC-12 aluminum alloy material
- Design excluding the wall mounting and enclosure screws for protecting waterproofness
- Silicon seal provides IP-67 protection class
- Second cavity for EMC seal
- Optional conductive EMI/RFI knitted gasket
- Natural aluminum color, and can be painted to requested color
- Stainless lid connection screws
- Compatible with ROHS directive

CODE	W	L	H	PROTECTION CLASS	OPTION
SE-510	96	96	45	IP-67	IP-67 EMI Shielded
SE-514	152	112	30	IP-67	IP-67 EMI Shielded
SE-518	96	96	67	IP-67	IP-67 EMI Shielded
SE-522	150	100	50	IP-67	IP-67 EMI Shielded
SE-526	192	96	45	IP-67	IP-67 EMI Shielded
SE-530	200	150	28	IP-67	IP-67 EMI Shielded
SE-534	152	112	55	IP-67	IP-67 EMI Shielded
SE-538	150	100	75	IP-67	IP-67 EMI Shielded
SE-542	192	96	67	IP-67	IP-67 EMI Shielded
SE-546	162	162	55	IP-67	IP-67 EMI Shielded
SE-550	200	150	50	IP-67	IP-67 EMI Shielded
SE-554	202	142	55	IP-67	IP-67 EMI Shielded
SE-558	162	162	80	IP-67	IP-67 EMI Shielded
SE-562	200	150	75	IP-67	IP-67 EMI Shielded
SE-566	202	142	80	IP-67	IP-67 EMI Shielded
SE-570	262	182	55	IP-67	IP-67 EMI Shielded
SE-574	274	173	66	IP-67	IP-67 EMI Shielded
SE-578	262	182	90	IP-67	IP-67 EMI Shielded
SE-582	274	173	100	IP-67	IP-67 EMI Shielded



• EMI SEAL (OPTIONAL)



• EMI SEAL

• SILICON SEAL



IP-67 CONTROL ENCLOSURES



VK-200

VK-200

314 x 221 x 176 mm

CONTROL ENCLOSURE

MATERIAL	ABS
COLOR	SIGNAL YELLOW RAL 1003
PACKAGING	1 PCS/BOX

RELATED ACCESSORIES

VK-24 NECK HANGER

- Concrete pumps, cranes and remote control for work machines



A-390

A-390

BUTTON PROTECTION LID

ø 55 x 36 mm

OTHER PRODUCTS

MATERIAL	ABS
COLOR	YELLOW AND BLACK
PACKAGING	10 PCS/BOX

- Only protection lid is included, button is not included.

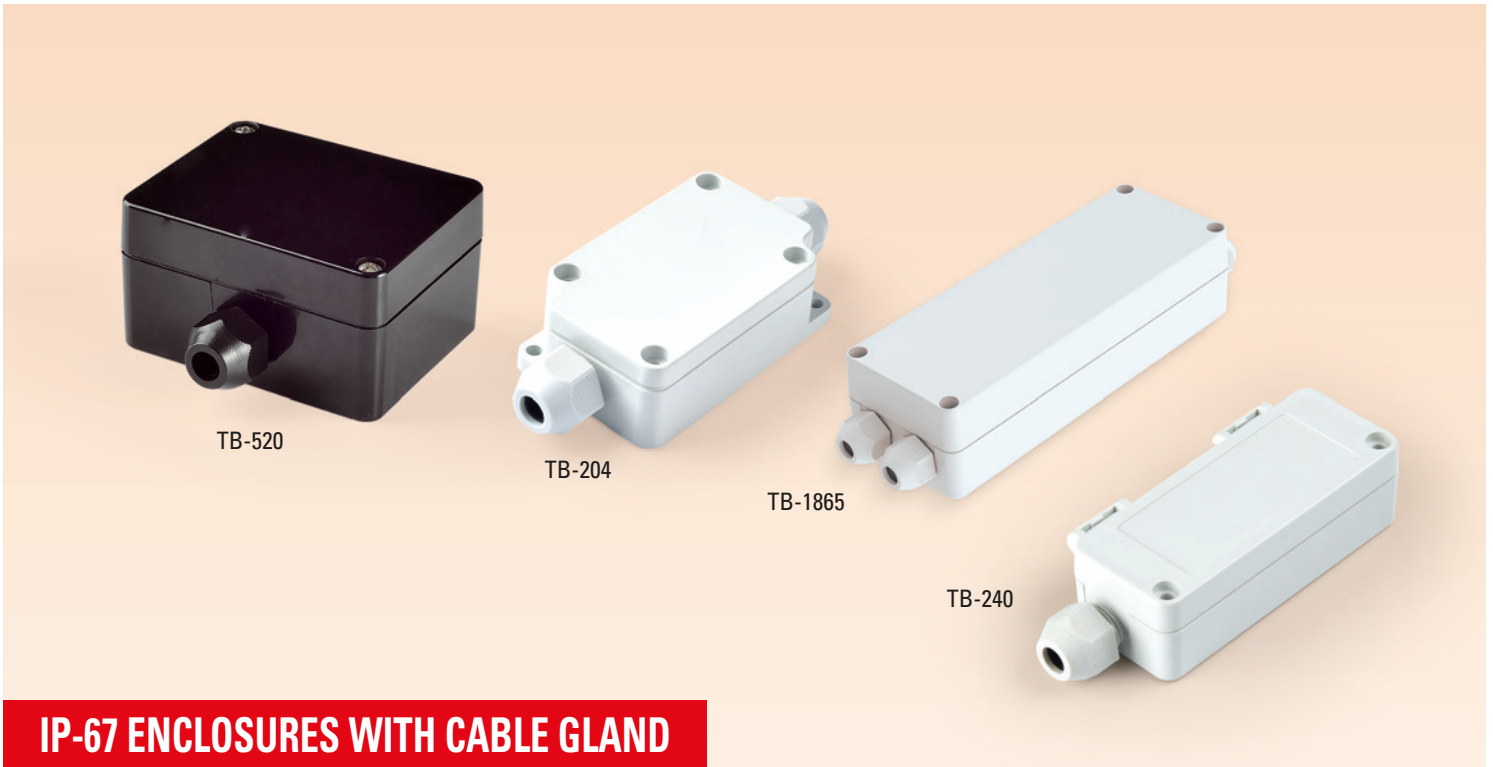


VK-24

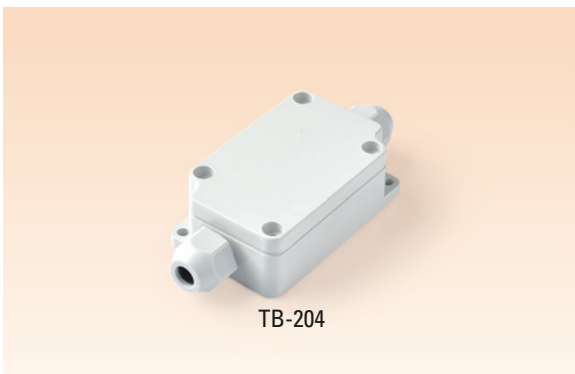
VK-24

NECK HANGER

CONTROL ENCLOSURE



IP-67 ENCLOSURES WITH CABLE GLAND



TB-204

TB-204

80 x 50 x 25 mm

IP-67 ENCLOSURES WITH CABLE GLAND

TB-204-A

DOUBLE GLAND

MATERIAL ABS V0

COLOR LIGHT GRAY

TB-204-B

SINGLE GLAND

PACKAGING 20 PCS/BOX



TB-240

TB-240

SINGLE GLAND (HINGED)
100 x 40 x 30 mm

IP-67 ENCLOSURES WITH CABLE GLAND

MATERIAL ABS V0

COLOR LIGHT GRAY

PACKAGING 20 PCS/BOX



TB-242

TB-242

SINGLE GLAND (WITH EARS)
100 x 40 x 30 mm

IP-67 ENCLOSURES WITH CABLE GLAND

MATERIAL ABS V0

COLOR LIGHT GRAY / BLACK

PACKAGING 20 PCS/BOX

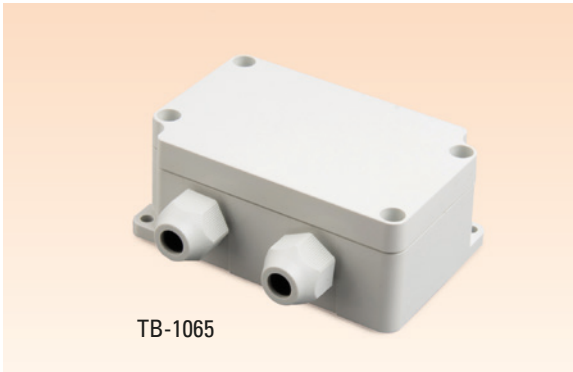


TB-520

82,5 x 65 x 45 mm

**IP-67 ENCLOSURES WITH
CABLE GLAND**

MATERIAL	ABS V0
COLOR	LIGHT GRAY
PACKAGING	20 PCS/BOX

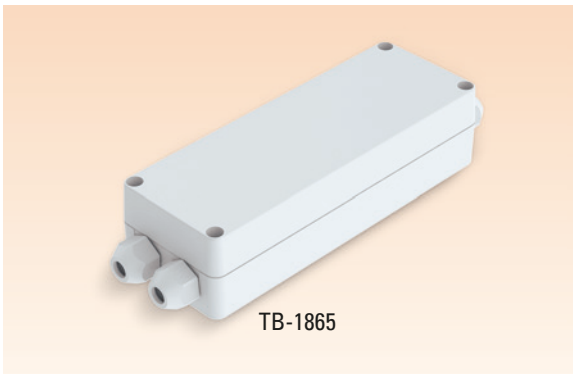


TB-1065

100 x 65 x 40 mm

**IP-67 ENCLOSURES WITH
CABLE GLAND**

MATERIAL	ABS V0
COLOR	LIGHT GRAY
PACKAGING	20 PCS/BOX

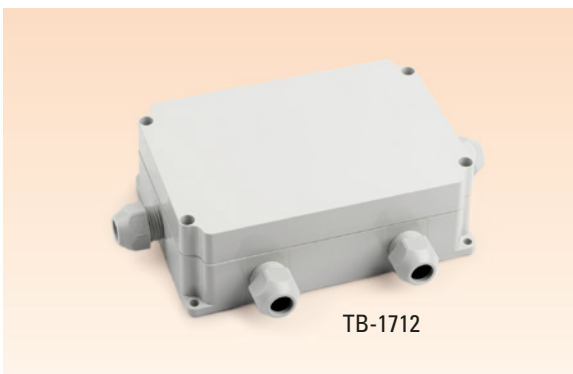


TB-1865

180 x 65 x 45 mm

**IP-67 ENCLOSURES WITH
CABLE GLAND**

MATERIAL	ABS V0
COLOR	LIGHT GRAY
PACKAGING	20 PCS/BOX



TB-1712

169 x 118,5 x 55 mm

**IP-67 ENCLOSURES WITH
CABLE GLAND**

TB-1712-M1

6 GLANDS (PG9)

TB-1712-M2

6 GLANDS (PG13,5)

TB-1712-M3

4 GLANDS
(2 x PG9 / 2 x PG13,5)

TB-1712-M4

4 GLANDS (PG9)

TB-1712-M5

4 GLANDS (PG13,5)

TB-1712-M6

2 GLANDS (PG13,5)

TB-1712-M7

2 GLANDS
(1 x PG9 / 1 x PG13,5)

MATERIAL	ABS V0
COLOR	LIGHT GRAY
PACKAGING	20 PCS/BOX



IP-67 HINGED ENCLOSURES

- IP-67 hinged waterproof enclosure
- Shockproof ABS material
- Stainless lid latch
- 1 mm galvanized sheet plate
- Changeable TPE seal
- Aluminum wall mount part
- Optional pole mount parts
- Ear for padlock
- Optional aluminum hinged anodized inside lid



Special Stainless Steel Screws



Stainless Lid Latch



Galvanized Sheet Mounting Plate



Light Gray ABS Material



IP-67 Waterproof Design



Ear for Padlock



Clear PC Lid Option



Outdoor Resistant ASA Material Option



Hinged Inner Door Option



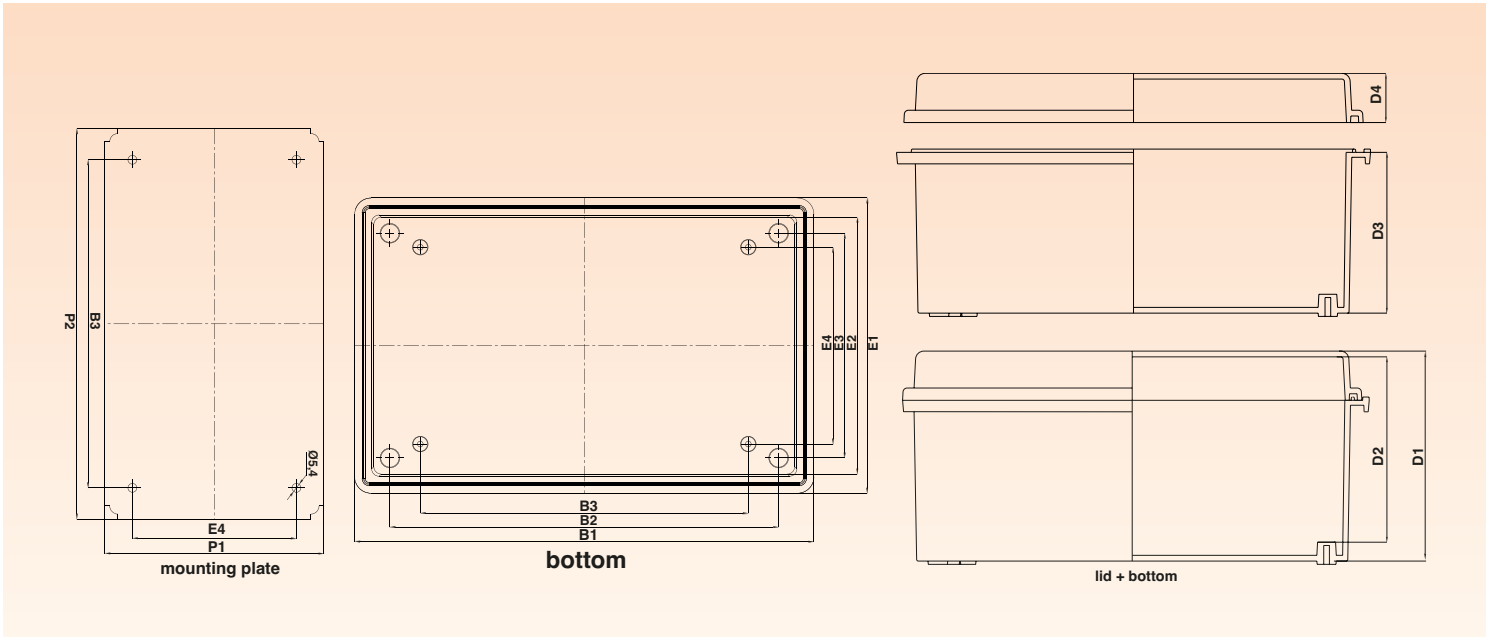
Pole Mounting Kit Option



Aluminum Mounting Ears

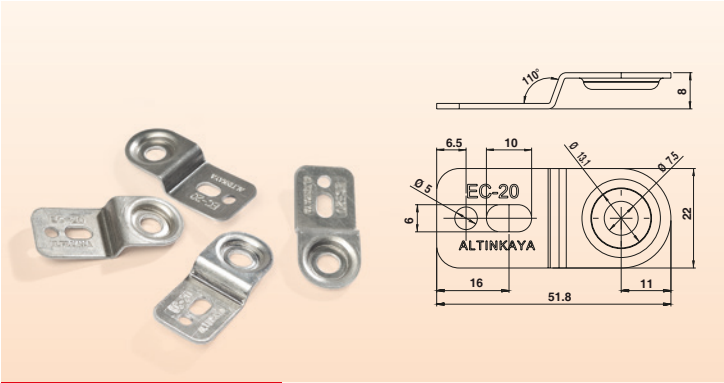


Plastic Mounting Ears



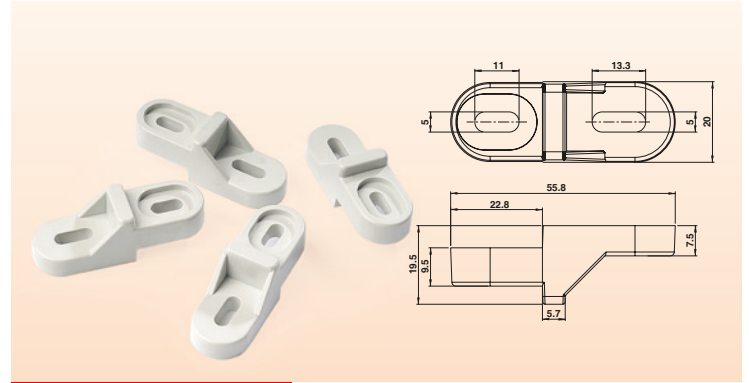
Code	Sizes	E1	E2	E3	E4	B1	B2	B3	D1	D2	D3	D4	P1	P2
EC - 912-9	90 x 120 x 90	90	68	48	50	120	78	80	90	77	70	20	68	98
EC - 1015-8	100 x 150 x 85	100	78,5	61,5	60	150	111,5	60	85	72	65	20	75	125
EC - 1515-9	150 x 150 x 89	150	128	108	108	150	108	108	89	76	69	20	124	124
EC - 1318-10	130 x 180 x 100	130	112	95	90	180	145	100	100	87	80	20	102	152
EC - 1624-5	160 x 240 x 53	160	138	117	116	240	197	160	53	39	38	15	128	208
EC - 1624-11	160 x 240 x 112	160	136	117	116	240	197	160	112	98	97	15	128	208
EC - 1722-13	170 x 220 x 127	170	146	127	110	220	177	80	127	112	97	30	134	184
EC - 2030-13	200 x 300 x 130	200	170	150	120	300	250	220	130	115,9	99,4	30	150	250
EC - 2030-18	200 x 300 x 187	200	169	150	120	300	250	220	187	173	157	30	150	250
EC - 2121-10	210 x 210 x 100	210	187	167	160	210	167	120	100	86	70	30	190	190
EC - 2121-13	210 x 210 x 130	210	186	167	160	210	167	120	130	116	100	30	190	190
EC - 2535-13	250 x 350 x 127	250	226	207	180	350	307	280	127	113	97	30	210	310
EC - 2535-15	250 x 350 x 150	250	226	207	180	350	307	280	150	137	120	30	210	310
EC - 2818-13	180 x 280 x 127	180	156	137	120	280	237	200	127	112	97	30	133	238
EC - 2828-13	280 x 280 x 127	280	256	237	200	280	237	200	127	112	97	30	238	238
EC - 3040-16	300 x 400 x 159	300	264	250	220	400	350	320	159	142	129	30	242	343
EC - 3040-20	300 x 400 x 200	300	268	250	220	400	350	320	200	183	170	30	242	343
EC - 3535-18	350 x 350 x 180	350	352	307	280	350	307	280	180	165	150	30	320	320
EC - 4050-20	400 x 500 x 200	400	368	348,5	300	500	448,5	400	200	186	170	30	350	450

AKSESUARLAR



EC-20

ALUMINUM MOUNTING EARS



EC-22

PLASTIC MOUNTING EARS



• A-691 4x9mm PZ Stainless Screw suitable for screw holes in the enclosure

A-691

STAINLESS SCREWS



• A-692 5x10mm YBS-PZ Stainless Screw suitable for screw holes outside the enclosure

A-692

STAINLESS SCREWS

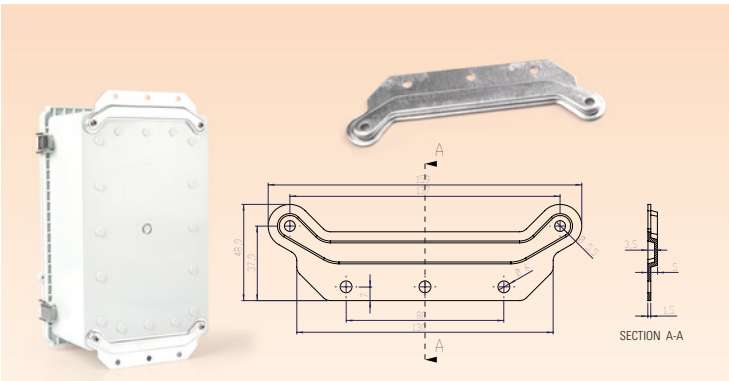


GALVANIZED SHEET MOUNTING PLATE

Code	Suitable Enclosure	P1	P2	E4	B3
EC - 912 - 9 - G	EC - 912 - 9	68	98	50	80
EC - 1015 - 8 - G	EC - 1015-8	75	125	60	60
EC - 1515 - 9 - G	EC - 1515-9	124	124	108	108
EC - 1318 - 10 - G	EC - 1318-10	102	152	90	100
EC - 1624 - 5 - G	EC - 1624-5	128	208	116	160
EC - 1624 - 11 - G	EC - 1624-11	128	208	116	160
EC - 1722 - 13 - G	EC - 1722-13	134	184	110	80
EC - 2030 - 13 - G	EC - 2030-13	150	250	120	220
EC - 2030 - 18 - G	EC - 2030-18	150	250	120	220

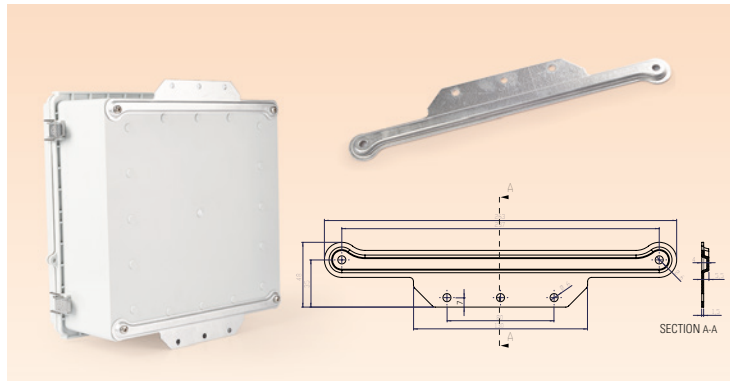
Code	Suitable Enclosure	P1	P2	E4	B3
EC - 2121- 10 - G	EC - 2121-10	190	190	160	120
EC - 2121- 13 - G	EC - 2121-13	190	190	160	120
EC - 2535 - 13 - G	EC - 2535-13	210	310	180	280
EC - 2535 - 15 - G	EC - 2535-15	210	310	180	280
EC - 2818 - 13 - G	EC - 2818-13	133	238	120	200
EC - 2828 - 13 - G	EC - 2828-13	238	238	200	200
EC - 3040 - 16 - G	EC - 3040-16	242	343	220	320
EC - 3040 - 20 - G	EC - 3040-20	242	343	220	320
EC - 3535 - 18 - G	EC - 3535-18	320	320	280	280
EC - 4050 - 20 - G	EC - 4050-20	350	450	300	400

ACCESSORIES & POLE MOUNTING PARTS



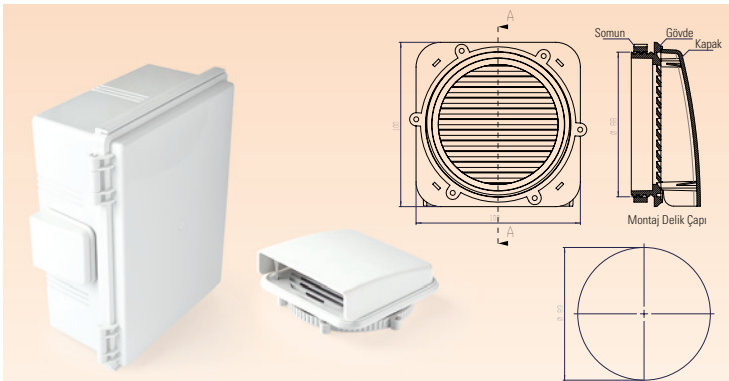
A-260

ALUMINUM MOUNTING EAR



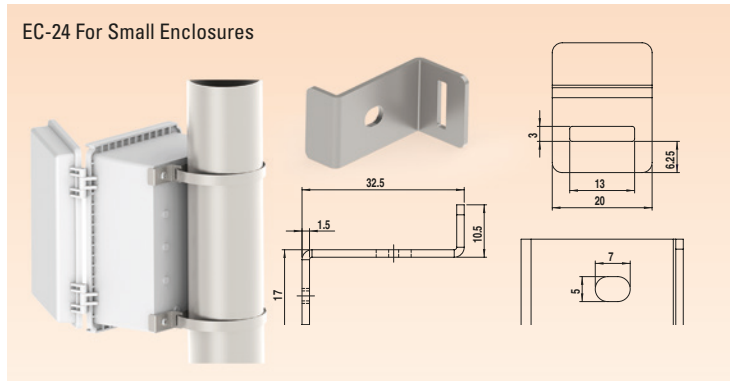
A-262

ALUMINUM MOUNTING EAR



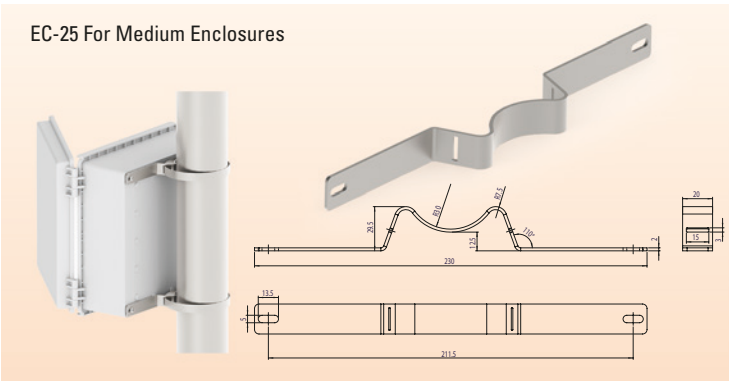
PH-100

PLASTIC VENTILATION



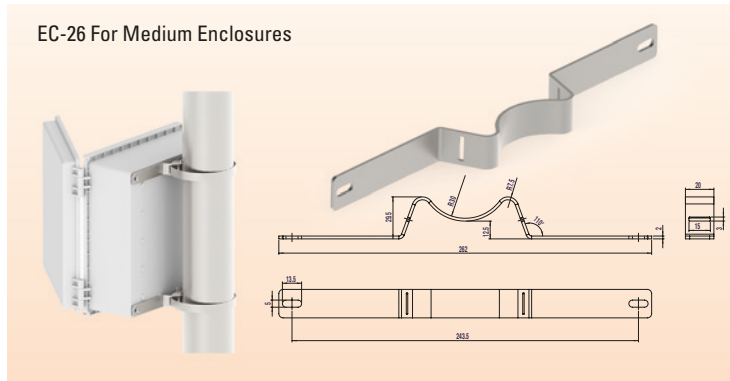
EC-24

POLE MOUNTING PARTS



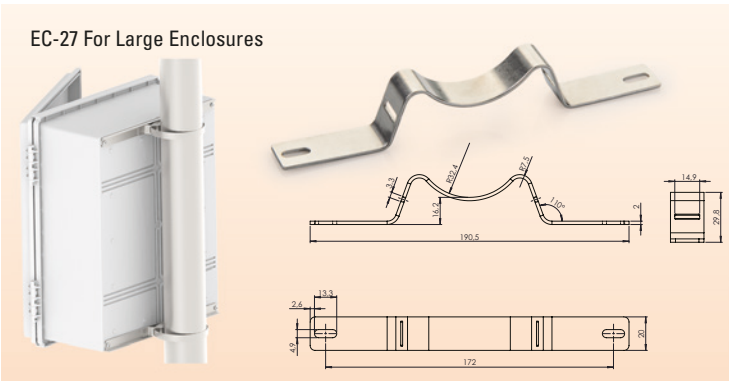
EC-25

POLE MOUNTING PARTS



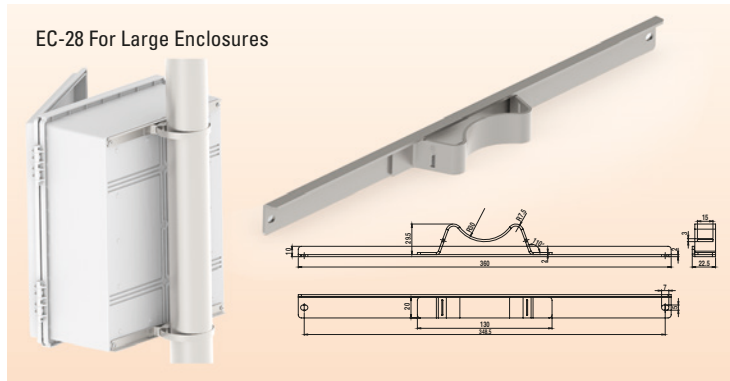
EC-26

POLE MOUNTING PARTS



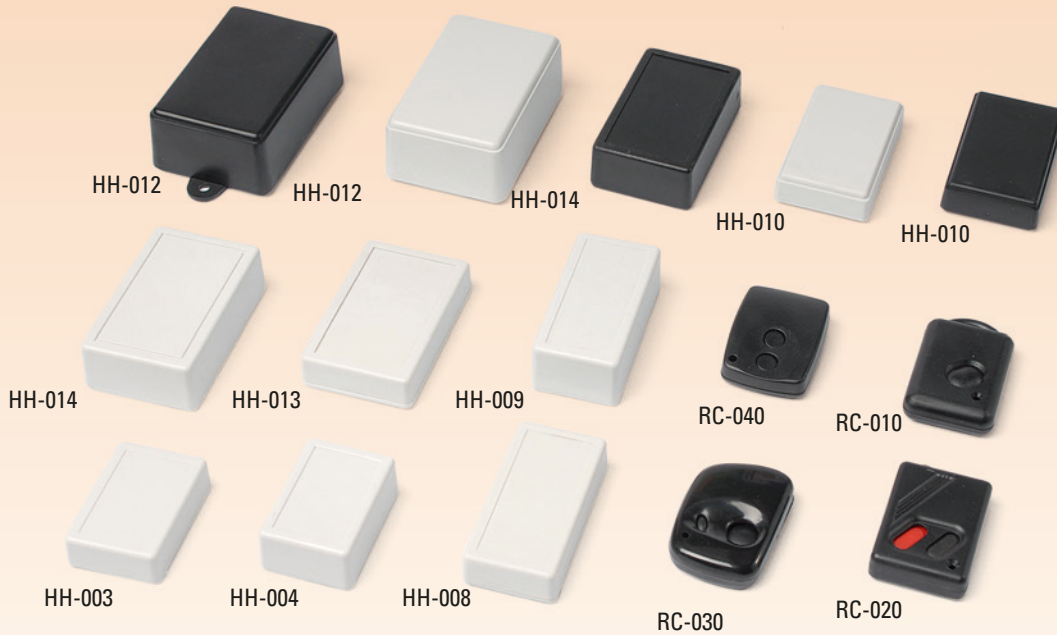
EC-27

POLE MOUNTING PARTS



EC-28

POLE MOUNTING PARTS



POCKET SIZE ENCLOSURES



RC-010

RC-020

RC-030

RC-010

SINGLE BUTTON
35 x 50 mm

REMOTE CONTROL ENCLOSURE

RC-020

TWO BUTTONS
35 x 50 mm

MATERIAL	ABS
COLOR	BLACK
PACKAGING	50 PCS/BOX

RC-030

TWO BUTTONS OVAL
37 x 52 mm

BUTTON COLOR OPTIONS
RED / BLACK

RELATED ACCESSORIES

A-934 PHOSPHOR BRONZE BATTERY CONTACT



RC-040

RC-040-A

TWO BUTTONS
50 x 36 x 14 mm

REMOTE CONTROL ENCLOSURE

RC-040-B

SINGLE (UPPER) BUTTON
50 x 36 x 14 mm

MATERIAL	ABS
COLOR	BLACK
PACKAGING	50 PCS/BOX

RC-040-C

SINGLE (LOWER) BUTTON
50 x 36 x 14 mm

RELATED ACCESSORIES

BC-2002 CR-2032 BATTERY HOLDER

RC-040-D

NO BUTTONS
50 x 36 x 14 mm



HH-002

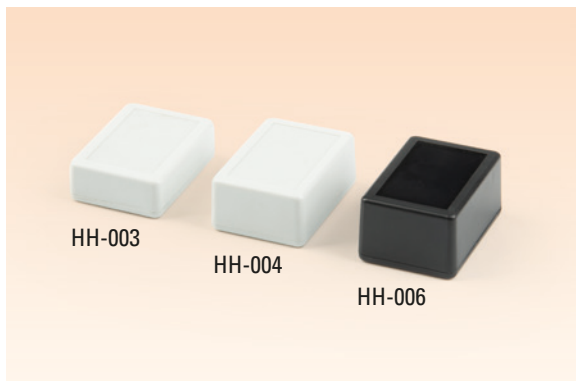
HH-002

35 x 35 x 20 mm

POCKET SIZE ENCLOSURE

MATERIAL	ABS
COLOR	BLACK / LIGHT GRAY
PACKAGING	20 PCS/BOX

• WALL MOUNTABLE MODELS Page 60-61



HH-003

35 x 50 x 15 mm

POCKET SIZE ENCLOSURE

HH-004

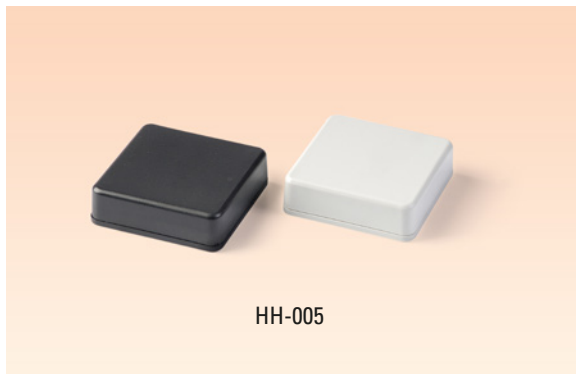
35 x 50 x 20 mm

MATERIAL	ABS
COLOR	BLACK / LIGHT GRAY
PACKAGING	20 PCS/BOX

HH-006

35 x 50 x 24 mm

• WALL MOUNTABLE MODELS Page 60-61



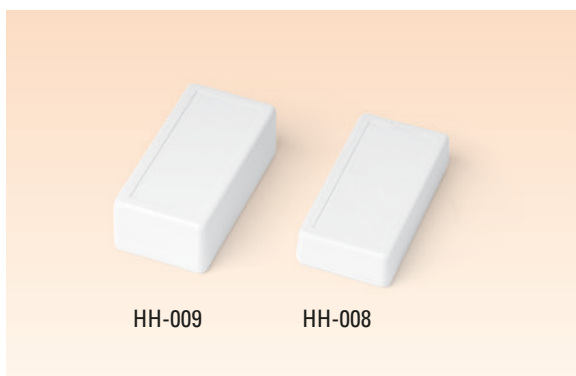
HH-005

50 x 50 x 15 mm

POCKET SIZE ENCLOSURE

MATERIAL	ABS
COLOR	BLACK / LIGHT GRAY
PACKAGING	20 PCS/BOX

• WALL MOUNTABLE MODELS Page 60-61



HH-008

35 x 70 x 15 mm

POCKET SIZE ENCLOSURE

HH-009

35 x 70 x 23 mm

MATERIAL	ABS
COLOR	BLACK / LIGHT GRAY
PACKAGING	20 PCS/BOX

• WALL MOUNTABLE MODELS Page 60-61



HH-013

45 x 72,5 x 15 mm

POCKET SIZE ENCLOSURE

MATERIAL	ABS
COLOR	BLACK / LIGHT GRAY
PACKAGING	20 PCS/BOX

• WALL MOUNTABLE MODELS Page 60-61



HH-014

45 x 72,5 x 23 mm

POCKET SIZE ENCLOSURE

MATERIAL	ABS
COLOR	BLACK / LIGHT GRAY
PACKAGING	20 PCS/BOX

• WALL MOUNTABLE MODELS Page 60-61

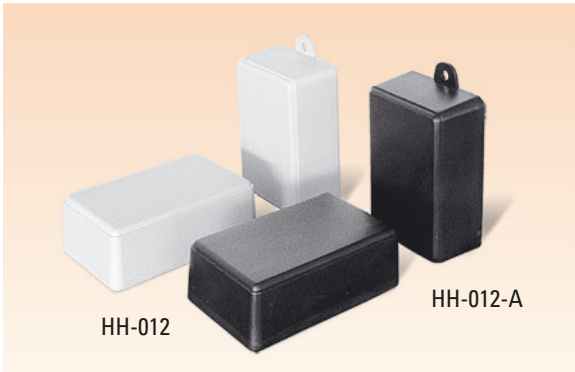


HH-010

41 x 66 x 16 mm

POCKET SIZE ENCLOSURE

MATERIAL	ABS	RELATED ACCESSORIES
COLOR	LIGHT GRAY / BLACK	A-58 WALL MOUNT WITH NAILS
PACKAGING	50 PCS/BOX	A-59 WALL MOUNT WITH SCREWS



HH-012

STANDARD
54 x 84 x 32 mm

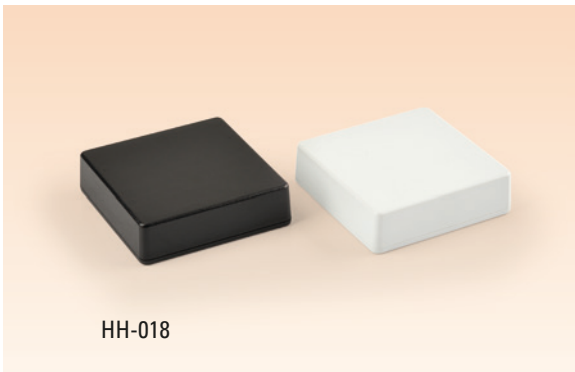
HAND HELD ENCLOSURE

HH-012 -A

WALL MOUNTABLE

RELATED ACCESSORIES

MATERIAL	ABS	A-58 WALL MOUNT WITH NAILS
COLOR	LIGHT GRAY / BLACK	A-59 WALL MOUNT WITH SCREWS
PACKAGING	50 PCS/BOX	

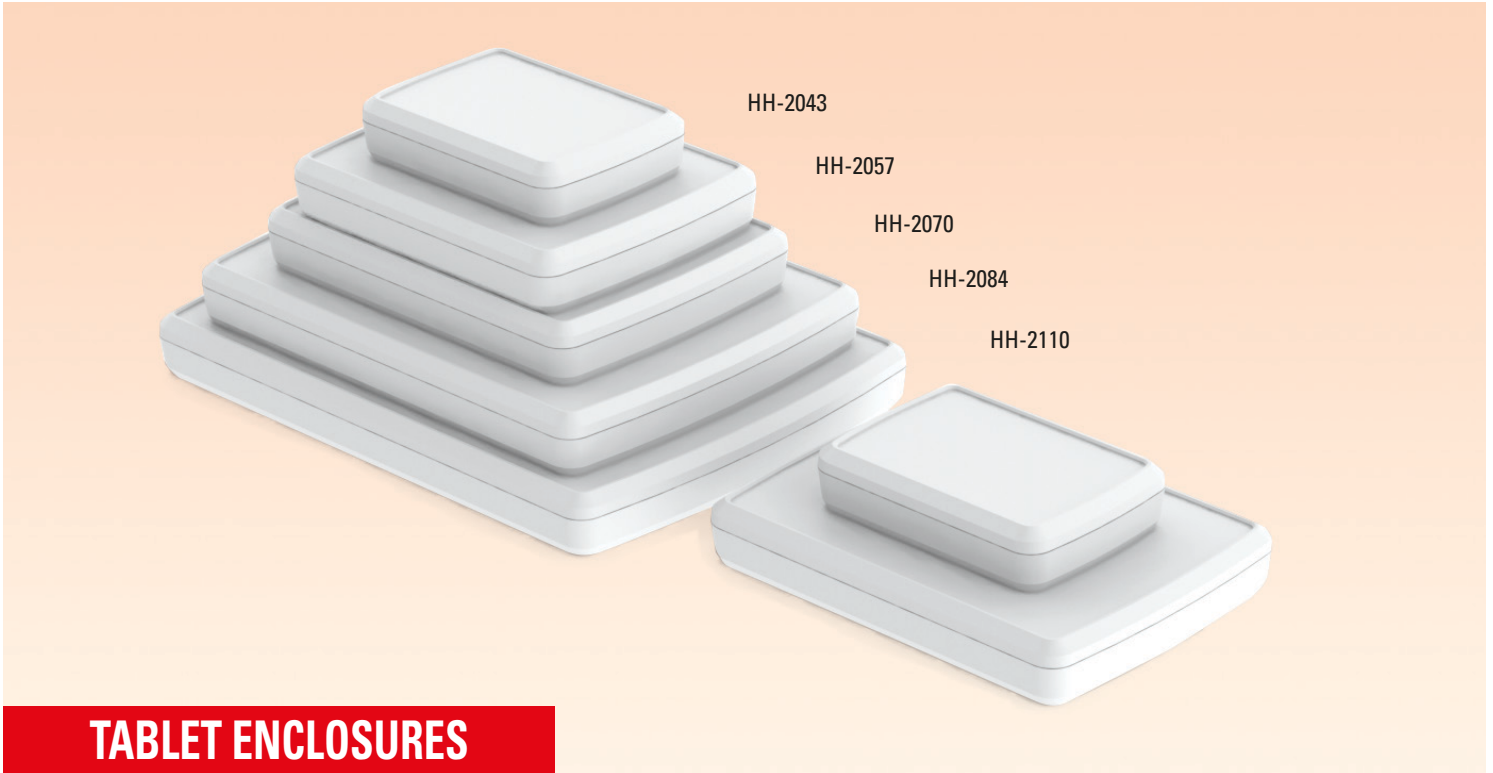


HH-018

85 x 85 x 23 mm

HAND HELD ENCLOSURE

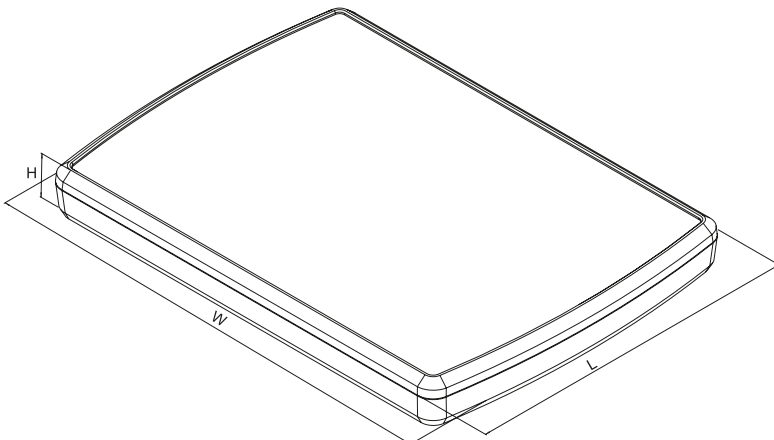
MATERIAL	ABS	RELATED ACCESSORIES
COLOR	LIGHT GRAY / BLACK	A-58 WALL MOUNT WITH NAILS
PACKAGING	20 PCS/BOX	A-59 WALL MOUNT WITH SCREWS

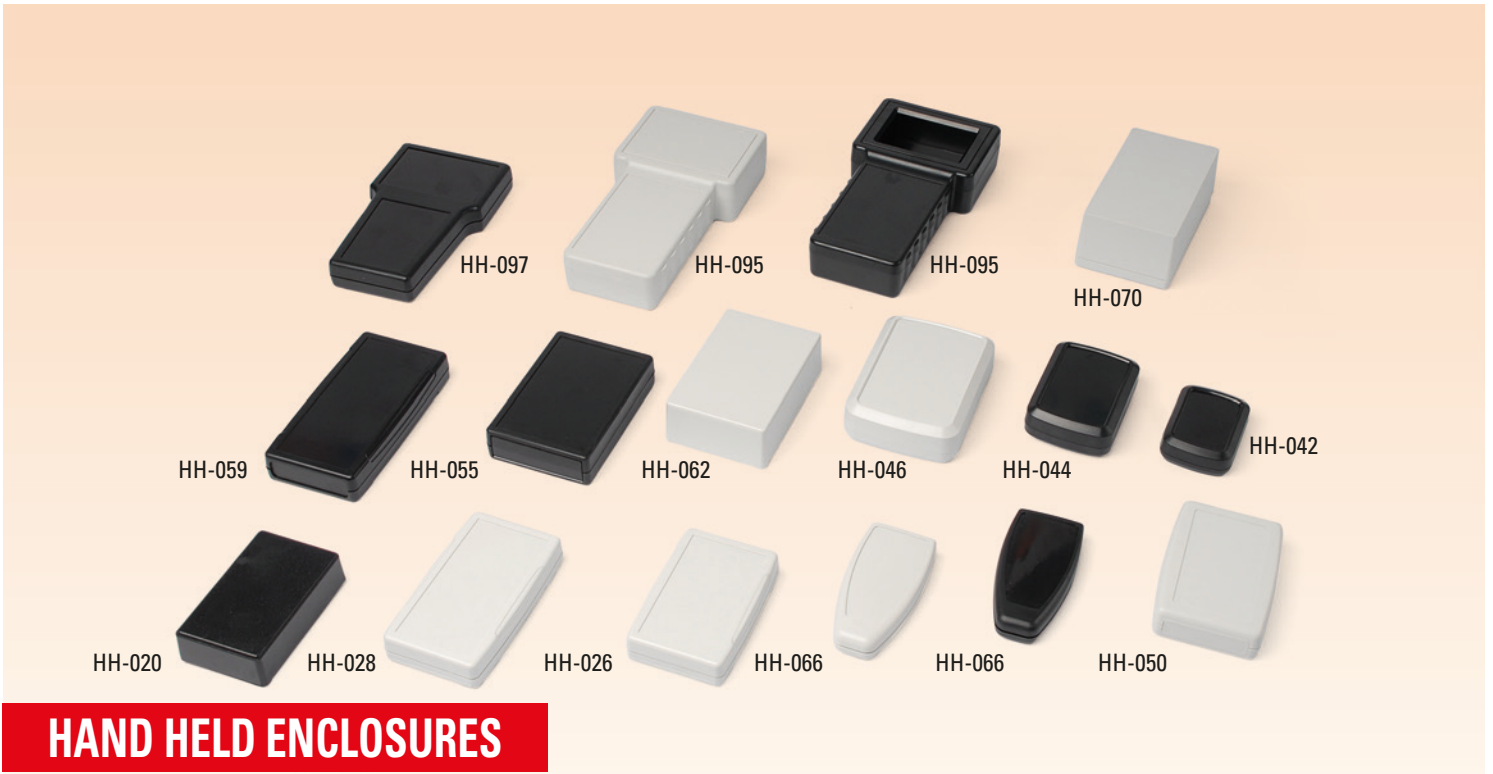


TABLET ENCLOSURES

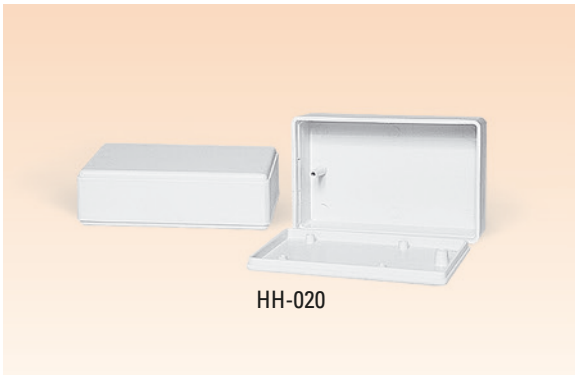
- Ergonomic design for easy holding
- Light gray and black color options
- Shockproof ABS material
- Sizes compatible with 4.3", 5.7" , 7" , 8.4" ve 11" LCD screens
- Compatible with wall mounting accessories

Code	Width (mm)	Length (mm)	Height (mm)	Compatible LCD Module Size
HH-2043	140	100	32	4.3"
HH-2057	190	150	32	5.7"
HH-2070	221	161	32	7"
HH-2084	279	206	32	8.4"
HH-2110	322	232	32	11"





HAND HELD ENCLOSURES



HH-020	58 x 92 x 27 mm	HAND HELD ENCLOSURE
MATERIAL	ABS	RELATED ACCESSORIES
COLOR	LIGHT GRAY / BLACK	A-58 WALL MOUNT WITH NAILS
PACKAGING	50 PCS/BOX	A-59 WALL MOUNT WITH SCREWS



HH-021	50,6 x 80 x 19 mm	HAND HELD ENCLOSURE
MATERIAL	ABS	
COLOR	LIGHT GRAY / DARK GRAY	
PACKAGING	10 PCS/BOX	



HH-022	58 x 95,3 x 23 mm	HAND HELD ENCLOSURE
MATERIAL	ABS	
COLOR	LIGHT GRAY / DARK GRAY	
PACKAGING	10 PCS/BOX	



HH-023 68,6 x 110 x 28 mm **HAND HELD ENCLOSURE**

MATERIAL	ABS
COLOR	LIGHT GRAY / DARK GRAY
PACKAGING	10 PCS/BOX



HH-026 100 x 68 x 22 mm **REMOTE CONTROL ENCLOSURE WITH BATTERY COMPARTMENT**

MATERIAL	ABS
COLOR	LIGHT GRAY / BLACK
BATTERY HOLDER	2xAA or 9V APPLICABLE
PACKAGING	50 PCS/BOX

RELATED ACCESSORIES

BATTERY CONTACT SET
A-58 WALL MOUNT WITH NAILS
A-190 BELT CLIPS
A-57 TILTING FOOT



HH-028 115 x 68 x 22 mm **REMOTE CONTROL ENCLOSURE WITH BATTERY COMPARTMENT**

MATERIAL	ABS
COLOR	LIGHT GRAY / BLACK
BATTERY HOLDER	3xAA APPLICABLE
PACKAGING	50 PCS/BOX

RELATED ACCESSORIES

BATTERY CONTACT SET
A-58 WALL MOUNT WITH NAILS
A-190 BELT CLIPS
A-57 TILTING FOOT



HH-042 69,5x 50,5 x 21 mm **HAND HELD ENCLOSURE**

MATERIAL	ABS
COLOR	LIGHT GRAY / BLACK
PACKAGING	50 PCS/BOX

RELATED ACCESSORIES

A-58 WALL MOUNT WITH NAILS
A-59 WALL MOUNT WITH SCREWS
A-190 BELT CLIPS



HH-043 Ø 65,8 x 22,5 mm **REMOTE CONTROL ENCLOSURE WITH BATTERY COMPARTMENT**

MATERIAL	ABS
COLOR	LIGHT GRAY / BLACK
BATTERY HOLDER	2 x AAA APPLICABLE
PACKAGING	10 PCS/BOX

RELATED ACCESSORIES

A-937 BATTERY CONTACT SET



HH-044 88,5 x 63 x 27,5 mm **HAND HELD ENCLOSURE**

MATERIAL	ABS	RELATED ACCESSORIES
COLOR	LIGHT GRAY / BLACK	A-58 WALL MOUNT WITH NAILS
PACKAGING	50 PCS/BOX	A-59 WALL MOUNT WITH SCREWS
		A-190 BELT CLIPS



HH-045 95 x 62 x 22 mm **REMOTE CONTROL ENCLOSURE WITH BATTERY COMPARTMENT**

MATERIAL	ABS	RELATED ACCESSORIES
COLOR	LIGHT GRAY / BLACK	BATTERY CONTACT SET
BATTERY HOLDER	2xAAA APPLICABLE	A-58 WALL MOUNT WITH NAILS
PACKAGING	50 PCS/BOX	A-59 WALL MOUNT WITH SCREWS
		A-190 BELT CLIPS



HH-046 115 x 83 x 32 mm **HAND HELD ENCLOSURE**

MATERIAL	ABS	RELATED ACCESSORIES
COLOR	LIGHT GRAY / BLACK	A-58 WALL MOUNT WITH NAILS
PACKAGING	50 PCS/BOX	A-59 WALL MOUNT WITH SCREWS
		A-190 BELT CLIPS
		A-57 TILTING FOOT



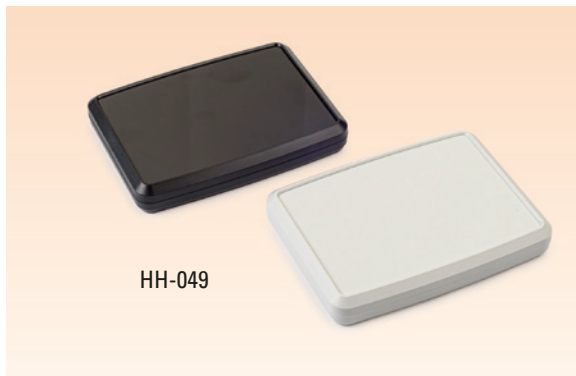
HH-047 116,5 x 104,5 x 32 mm **HAND HELD ENCLOSURE**

MATERIAL	ABS	RELATED ACCESSORIES
COLOR	LIGHT GRAY / BLACK	A-58 WALL MOUNT WITH NAILS
PACKAGING	50 PCS/BOX	A-59 WALL MOUNT WITH SCREWS
		A-190 BELT CLIPS



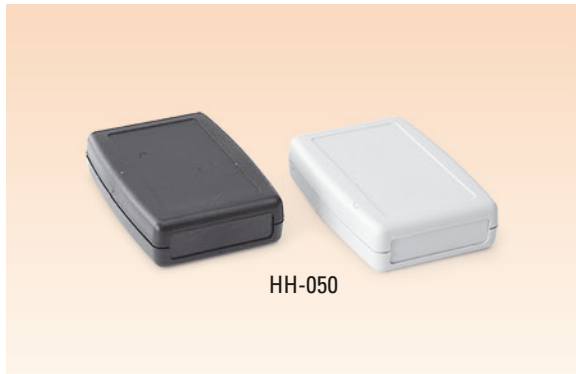
HH-048 114 x 82,5 x 37 mm **REMOTE CONTROL ENCLOSURE WITH BATTERY COMPARTMENT**

MATERIAL	ABS	RELATED ACCESSORIES
COLOR	LIGHT GRAY / BLACK	A-935 4xAA BATTERY CONTACT SET
BATTERY HOLDER	4xAAA APPLICABLE	A-368 WALL MOUNTING KIT
PACKAGING	10 PCS/BOX	



HH-049 170 x 130 x 25 mm **HAND HELD ENCLOSURE**

MATERIAL	ABS	RELATED ACCESSORIES
COLOR	LIGHT GRAY / BLACK	A-58 WALL MOUNT WITH NAILS
PACKAGING	10 PCS/BOX	A-190 BELT CLIPS



HH-050 72 x 104 x 26 mm **HAND HELD ENCLOSURE**

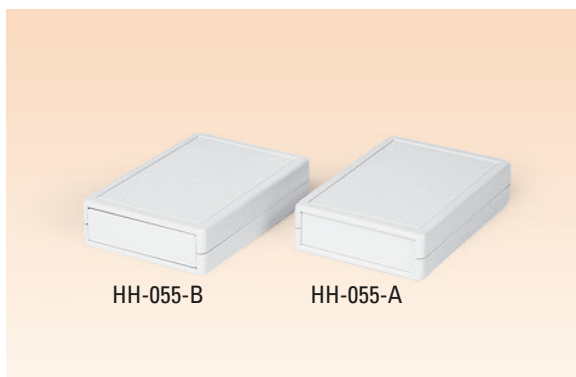
MATERIAL	ABS	RELATED ACCESSORIES
COLOR	LIGHT GRAY / BLACK	A-58 WALL MOUNT WITH NAILS
PACKAGING	10 PCS/BOX	A-190 BELT CLIPS
		A-57 TILTING FOOT



HH-052 75 x 105 x 26,4 mm **REMOTE CONTROL ENCLOSURE WITH BATTERY COMPARTMENT**

MATERIAL	ABS	RELATED ACCESSORIES
COLOR	LIGHT GRAY	A-932 BATTERY CONTACT SET
BATTERY HOLDER	2xAA or 9V APPLICABLE	A-204 BATTERY CONTACT
		A-190 BELT CLIPS
		A-57 TILTING FOOT

IMPORTED PRODUCT



HH-055-A STANDARD 76 x 112 x 26 mm **HAND HELD ENCLOSURE**

HH-055-B CURVED PANEL **PANEL OPTIONS**

		FLAT PANEL / CURVED PANEL
MATERIAL	ABS	RELATED ACCESSORIES
COLOR	LIGHT GRAY / BLACK	A-58 WALL MOUNT WITH NAILS
PACKAGING	10 PCS/BOX	A-59 WALL MOUNT WITH SCREWS
		A-190 BELT CLIPS
		A-57 TILTING FOOT



HH-058 135 x 70 x 24 mm **REMOTE CONTROL ENCLOSURE WITH BATTERY COMPARTMENT**

MATERIAL	ABS	RELATED ACCESSORIES
COLOR	LIGHT GRAY / BLACK	A-932 2xAA BATTERY CONTACT SET
BATTERY HOLDER	2xAA or 9V APPLICABLE	A-204 BATTERY CONTACT
		A-190 BELT CLIPS
		A-57 TILTING FOOT



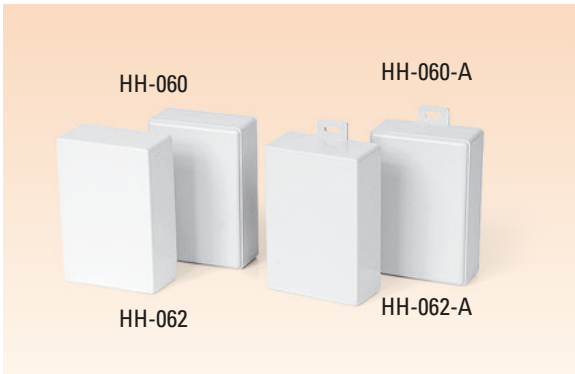
HH-059

133,5 x 70 x 24 mm

REMOTE CONTROL ENCLOSURE WITH BATTERY COMPARTMENT

MATERIAL	ABS
COLOR	LIGHT GRAY / BLACK
BATTERY HOLDER	2XAA or 9V APPLICABLE
PACKAGING	50 PCS/BOX

RELATED ACCESSORIES	
BATTERY CONTACT SET	
A-58 WALL MOUNT WITH NAILS	
A-190 BELT CLIPS	
A-57 TILTING FOOT	



HH-060

75 x 110 x 36 mm
(2 SCREWS)

HAND HELD ENCLOSURE

HH-062

75 x 110 x 36 mm
(4 SCREWS)

MATERIAL	ABS
COLOR	LIGHT GRAY / BLACK
PACKAGING	50 PCS/BOX

HH-060-A

WITH EAR
(2 SCREWS)

HH-062-A

WITH EAR
(4 SCREWS)

• HH-062 IS RECOMMENDED FOR NEW DESIGNS



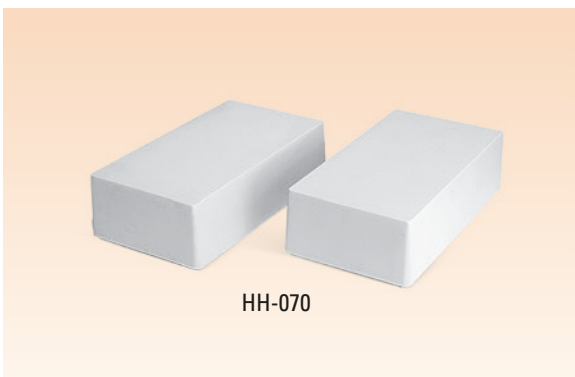
HH-066

STANDARD
100 x 50 x 18 mm

HAND HELD ENCLOSURE

MATERIAL	ABS
COLOR	LIGHT GRAY / BLACK
PACKAGING	50 PCS/BOX

RELATED ACCESSORIES	
A-190 BELT CLIPS	
A-366 WALL MOUNTING KIT	



HH-070

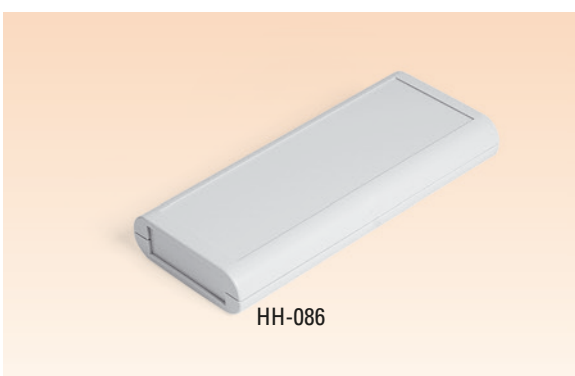
76 x 136 x 50 mm

HAND HELD ENCLOSURE

MATERIAL	ABS
COLOR	LIGHT GRAY / BLACK
PACKAGING	20 PCS/BOX

RELATED ACCESSORIES	
A-58 WALL MOUNT WITH NAILS	
A-59 WALL MOUNT WITH SCREWS	

IMPORTED PRODUCT



HH-086

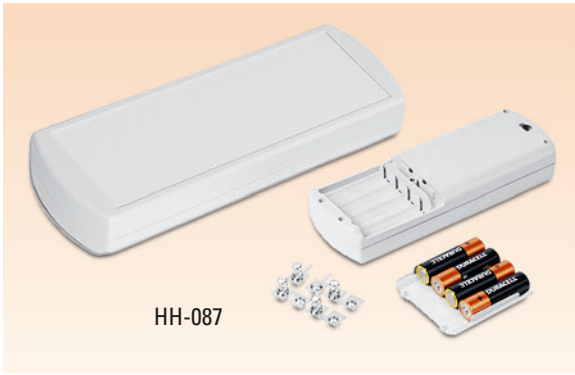
177 x 77 x 25 mm

HAND HELD ENCLOSURE

MATERIAL	ABS
COLOR	LIGHT GRAY / BLACK
PACKAGING	1 PCS/BOX

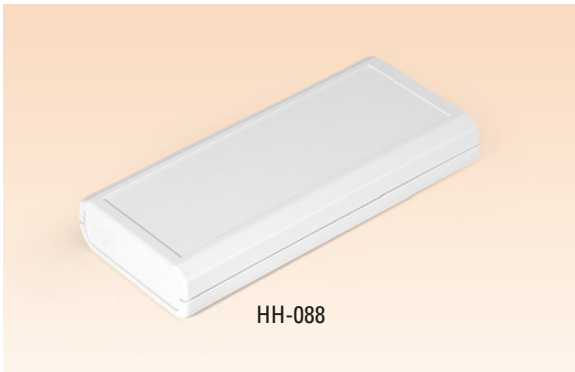
RELATED ACCESSORIES	
A-58 WALL MOUNT WITH NAILS	
A-190 BELT CLIPS	

IMPORTED PRODUCT

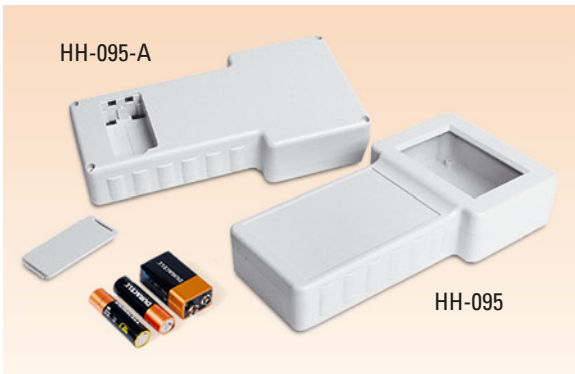


HH-087	65 x 182 x 28 mm	REMOTE CONTROL ENCLOSURE WITH BATTERY COMPARTMENT
MATERIAL	ABS	RELATED ACCESSORIES
COLOR	LIGHT GRAY	A-935 4xAA BATTERY CONTACT SET
BATTERY HOLDER	4xAA APPLICABLE	A-190 BELT CLIPS

IMPORTED PRODUCT



HH-088	172 x 77 x 28 mm	HAND HELD ENCLOSURE
MATERIAL	ABS	RELATED ACCESSORIES
COLOR	LIGHT GRAY / BLACK	A-58 WALL MOUNT WITH NAILS
PACKAGING	10 PCS/BOX	A-59 WALL MOUNT WITH SCREWS



HH-095	STANDARD 105 x 201 x 41 mm	REMOTE CONTROL ENCLOSURE WITH BATTERY COMPARTMENT
HH-095-A	W/ BATTERY HOLDER 105 x 201 x 41 mm	MATERIAL
		ABS
		COLOR
		LIGHT GRAY / BLACK
		PANEL
		GRAY / CLEAR / BLACK
		BATTERY HOLDER
		2xAA or 9V APPLICABLE
		PACKAGING
		10 PCS/BOX
		RELATED ACCESSORIES
		A-932 2xAA BATTERY CONTACT SET
		A-204 9V BATTERY CONTACT
		A-190 BELT CLIPS



HH-097	160 x 94 x 25 mm	HAND HELD ENCLOSURE
MATERIAL	ABS	RELATED ACCESSORIES
COLOR	LIGHT GRAY / BLACK	A-58 WALL MOUNT WITH NAILS
PACKAGING	10 PCS/BOX	A-190 BELT CLIPS
		A-57 TILTING FOOT



HH-098	160 x 94 x 25 mm	REMOTE CONTROL ENCLOSURE WITH BATTERY COMPARTMENT
MATERIAL	ABS	RELATED ACCESSORIES
COLOR	LIGHT GRAY / BLACK	A-932 BATTERY CONTACT SET
BATTERY HOLDER	2 x AA or 9V APPLICABLE	A-58 WALL MOUNT WITH NAILS
PACKAGING	10 PCS/BOX	A-190 BELT CLIPS
		A-57 TILTING FOOT



HH-1515

150 x 150 x 31 mm

MODEM ENCLOSURE

MATERIAL	ABS-UL94 V0
COLOR	LIGHT GRAY / BLACK
PACKAGING	10 PCS/BOX

RELATED ACCESSORIES
A-58 WALL MOUNT WITH NAILS



ADAPTOR ENCLOSURES



AD-120

AD-120

152 x 59 x 29 mm

ADAPTOR ENCLOSURES

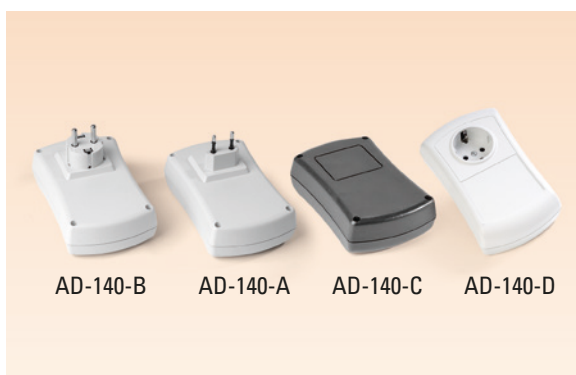
AD-120-A

PLUG: FRENCH/GERMAN VERSION (DIN 49441 R2)
SOCKET: FRENCH/GERMAN VERSION (DIN 49440)

AD-120-B

PLUG: FRENCH/GERMAN VERSION (DIN 49441 R2)
SOCKET: NONE

MATERIAL	ABS - UL94 - V0
COLOR	LIGHT GRAY / BLACK
PACKAGING	10 PCS/BOX



AD-140-B

AD-140-A

AD-140-C

AD-140-D

AD-140

150 x 95 x 41 mm

ADAPTOR ENCLOSURES

AD-140-A

PLUG: EURO PLUG (DIN VDE 0620 PART 11)
SOCKET: NONE

AD-140-B

PLUG: FRENCH/GERMAN VERSION (DIN 49441 R2)
SOCKET: NONE

AD-140-C

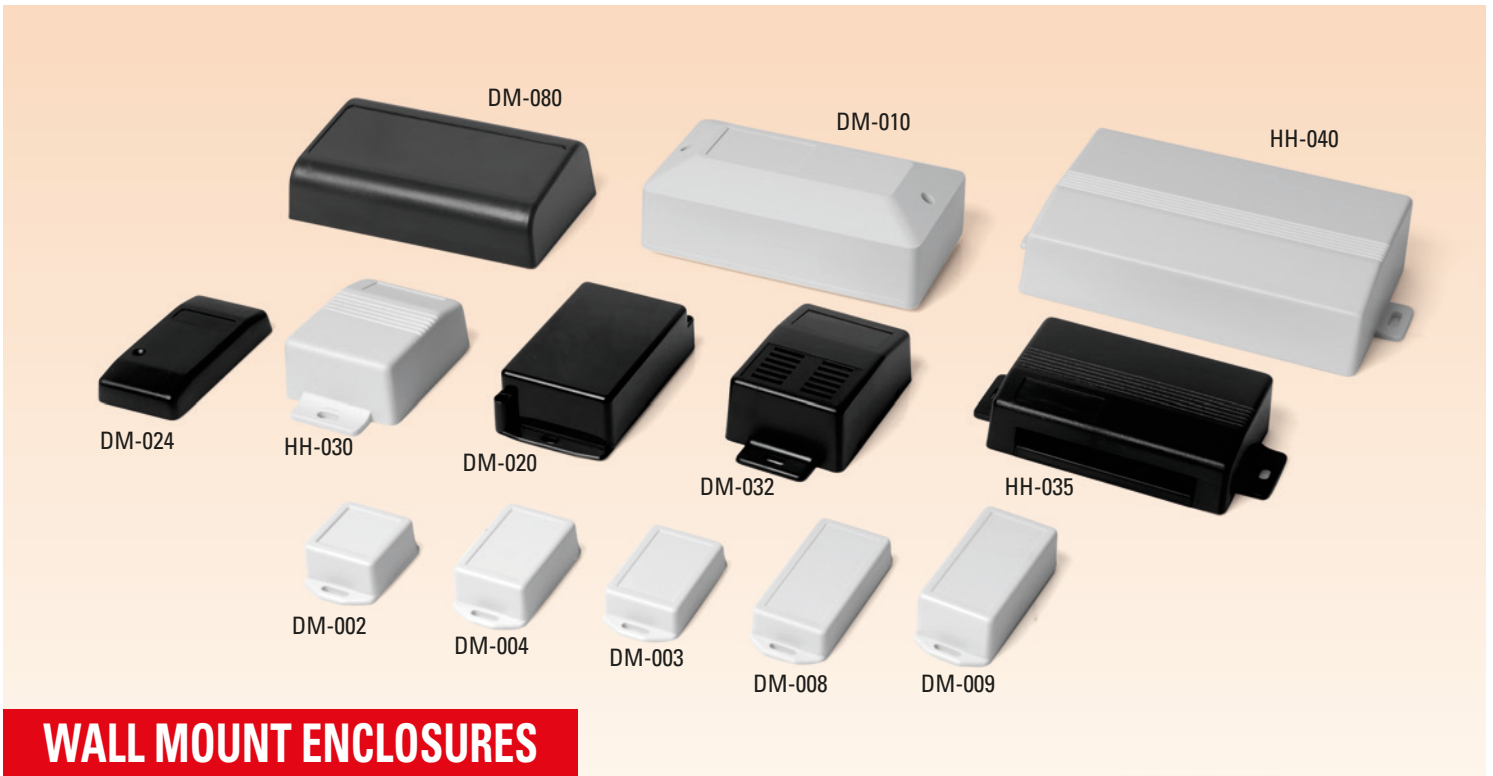
PLUG: NONE
SOCKET: NONE

AD-140-D

PLUG: FRENCH/GERMAN VERSION (DIN 49441 R2)
SOCKET: FRENCH/GERMAN VERSION (DIN 49440)

MATERIAL	ABS - UL94 - V0
COLOR	LIGHT GRAY / BLACK
PACKAGING	10 PCS/BOX





WALL MOUNT ENCLOSURES



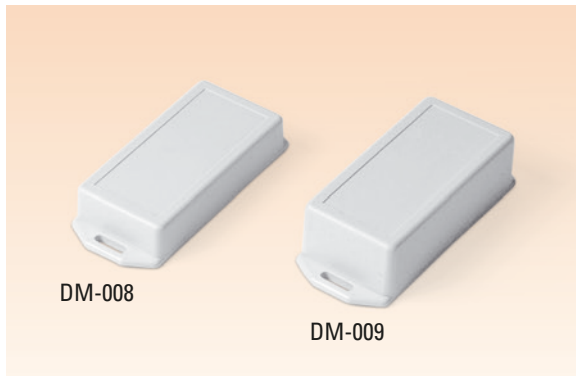
DM-002	35 x 50 x 20 mm	WALL MOUNT ENCLOSURE
MATERIAL	ABS	
COLOR	LIGHT GRAY / BLACK	
PACKAGING	20 PCS/BOX	



DM-003	35 x 65 x 15,3 mm	WALL MOUNT ENCLOSURE
DM-004	35 x 65 x 20,3 mm	
DM-006	35 x 65 x 24 mm	
MATERIAL	ABS	
COLOR	LIGHT GRAY / BLACK	
PACKAGING	20 PCS/BOX	



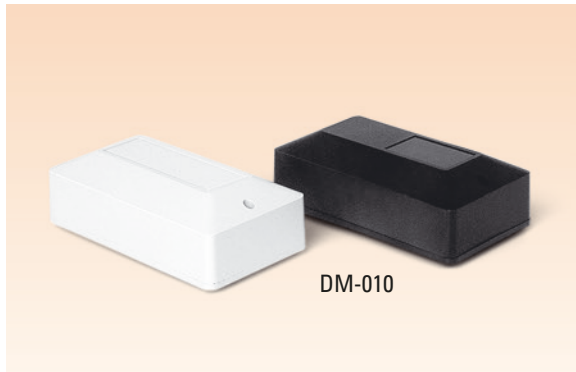
DM-005	50 x 67,5 x 15 mm	WALL MOUNT ENCLOSURE
MATERIAL	ABS	
COLOR	LIGHT GRAY / BLACK	
PACKAGING	20 PCS/BOX	



DM-008 35 x 85 x 15,3 mm **WALL MOUNT ENCLOSURE**

DM-009 35 x 85 x 23,3 mm

MATERIAL	ABS
COLOR	LIGHT GRAY / BLACK
PACKAGING	20 PCS/BOX



DM-010 86 x 155 x 49 mm **WALL MOUNT ENCLOSURE**

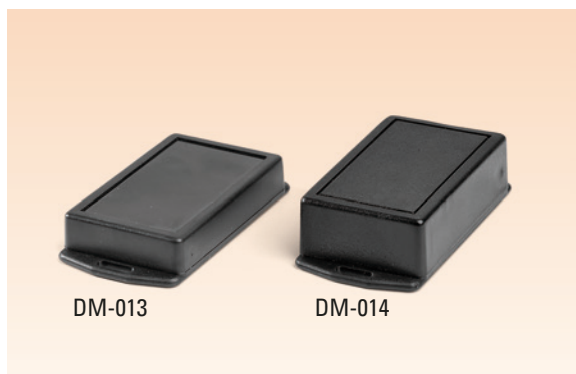
MATERIAL	ABS
COLOR	LIGHT GRAY / BLACK
PACKAGING	10 PCS/BOX



DM-011 35 x 70 x 33,3 mm **WALL MOUNT ENCLOSURE**

MATERIAL	ABS
COLOR	LIGHT GRAY / BLACK
BATTERY HOLDER	1xAA APPLICABLE
PACKAGING	10 PCS/BOX

RELATED ACCESSORIES
A-932-A / A-932-C BATTERY CONTACT



DM-013 87,5 x 45 x 15.3 mm **WALL MOUNT ENCLOSURE**

DM-014 87,5 x 45 x 23,3 mm

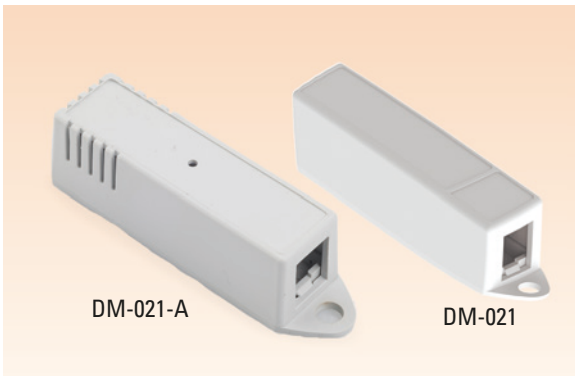
MATERIAL	ABS
COLOR	LIGHT GRAY / BLACK
PACKAGING	20 PCS/BOX



DM-020 2 SCREWS 58 x 106 x 32 mm **WALL MOUNT ENCLOSURE**

DM-020-A 4 SCREWS

MATERIAL	ABS
COLOR	LIGHT GRAY / BLACK
PACKAGING	20 PCS/BOX



DM-021

72 x 19 x 20 mm

WALL MOUNT ENCLOSURE

DM-021-A

72 x 19 x 20 mm

SENSOR ENCLOSURE

MATERIAL	ABS
COLOR	BLACK / LIGHT GRAY
PACKAGING	20 PCS/BOX



DM-022

120 x 60 x 34 mm

WALL MOUNT ENCLOSURE

MATERIAL	ABS
COLOR	LIGHT GRAY / BLACK
PACKAGING	20 PCS/BOX



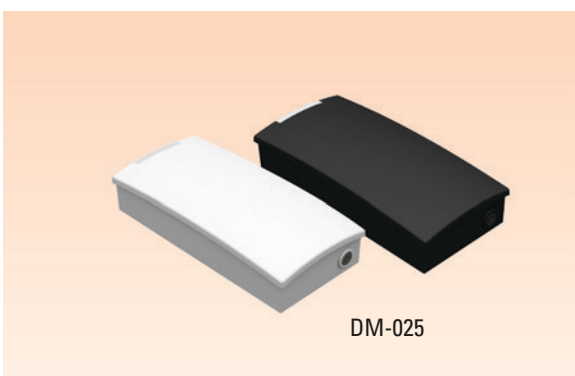
DM-024

44 x 84 x 15 mm

WALL MOUNT ENCLOSURE

PROXIMITY CARD READER ENCLOSURE

MATERIAL	ABS
COLOR	BLACK / LIGHT GRAY
PACKAGING	20 PCS/BOX



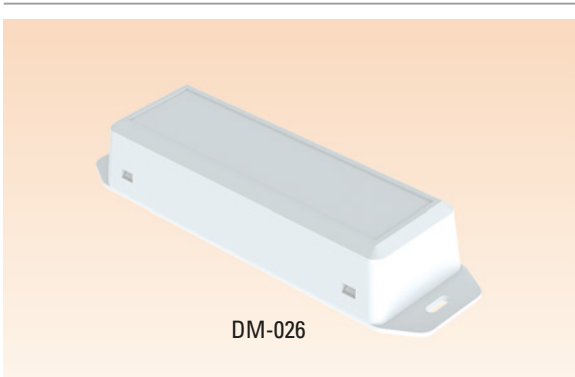
DM-025

102,7 x 48,2 x 22 mm

WALL MOUNT ENCLOSURE

PROXIMITY CARD READER ENCLOSURE

MATERIAL	ABS
COLOR	BLACK / WHITE / DARK GRAY
PACKAGING	20 PCS/BOX



DM-026

150 x 43 x 28 mm

WALL MOUNT ENCLOSURE

MATERIAL	ABS
COLOR	LIGHT GRAY / BLACK
PACKAGING	20 PCS/BOX



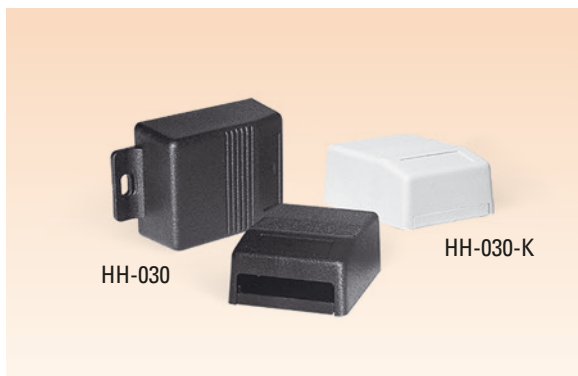
DM-027 102.8 x 82.7 x 23 mm **PROXIMITY CARD READER ENCLOSURE**

PROXIMITY CARD READER ENCLOSURE	
MATERIAL	ABS
COLOR	LIGHT GRAY / BLACK
PACKAGING	20 PCS/BOX



DM-028 121 x 46 x 22 mm **PROXIMITY CARD READER ENCLOSURE**

PROXIMITY CARD READER ENCLOSURE	
MATERIAL	ABS
COLOR	LIGHT GRAY / BLACK
PACKAGING	20 PCS/BOX



HH-030 61 x 75 x 33 mm **WALL MOUNT ENCLOSURE**

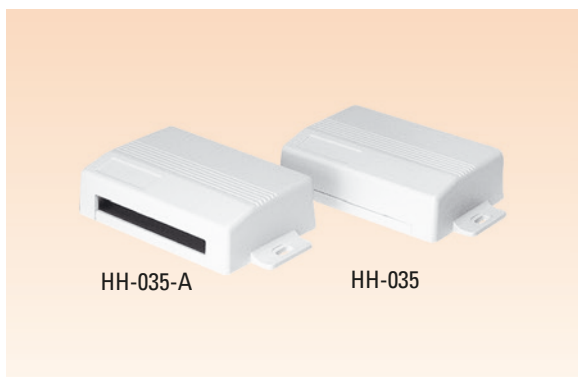
HH-030-K	W/O TERMINAL WINDOW
HH-030-A	W/ TERMINAL WINDOW
MATERIAL	ABS
COLOR	LIGHT GRAY / BLACK
PACKAGING	50 PCS/BOX



DM-032 61 x 86 x 32 mm **WALL MOUNT ENCLOSURE**

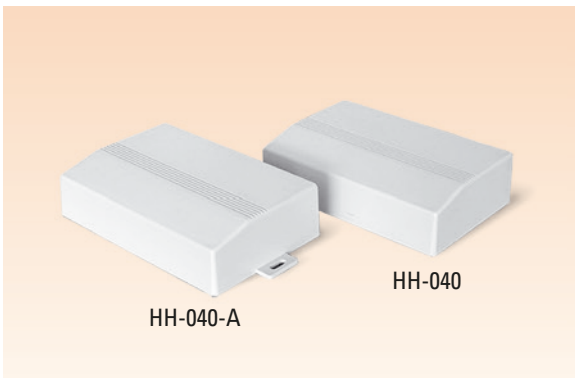
DM-032-K	W/O TERMINAL WINDOW
DM-032-A	W/ TERMINAL WINDOW
MATERIAL	ABS
COLOR	LIGHT GRAY / BLACK
PACKAGING	20 PCS/BOX

• OPTIONAL VENTILATION HOLES ON TOP



HH-035 143 x 76 x 32 mm **WALL MOUNT ENCLOSURE**

HH-035-K	W/O TERMINAL WINDOW
HH-035-A	W/ TERMINAL WINDOW
MATERIAL	ABS
COLOR	LIGHT GRAY / BLACK
PACKAGING	50 PCS/BOX



HH-040

STANDARD
175 x 115 x 44 mm

WALL MOUNT ENCLOSURE

HH-040-A

WALL MOUNT

MATERIAL	ABS
COLOR	LIGHT GRAY / BLACK
PACKAGING	10 PCS/BOX



DM-040

116 x 60 x 19 mm

WALL MOUNT ENCLOSURE

MATERIAL	ABS
COLOR	DARK GRAY
PACKAGING	20 PCS/BOX



DM-042

90 x 74 x 22,7 mm

WALL MOUNT ENCLOSURE

MATERIAL	ABS
COLOR	LIGHT GRAY / BLACK
PACKAGING	10 PCS/BOX



DM-044

138 x 63,5 x 31 mm

WALL MOUNT ENCLOSURE

MATERIAL	ABS
COLOR	LIGHT GRAY / BLACK
PACKAGING	10 PCS/BOX



DM-045

109 x 76 x 36 mm

WALL MOUNT ENCLOSURE

MATERIAL	ABS
COLOR	LIGHT GRAY / BLACK
PACKAGING	20 PCS/BOX



DM-046 125,5 x 116 x 33 mm **WALL MOUNT ENCLOSURE**

MATERIAL	ABS
COLOR	LIGHT GRAY / BLACK
PACKAGING	10 PCS/BOX



DM-047 104,4 x 101,7 x 33,5 mm **WALL MOUNT ENCLOSURE**

MATERIAL	ABS
COLOR	LIGHT GRAY / BLACK
PACKAGING	20 PCS/BOX

• SNAP FIT CLICK ASSEMBLY



DM-048 110 x 76 x 27 mm **WALL MOUNT ENCLOSURE**

MATERIAL	ABS
COLOR	WHITE / BLACK
PACKAGING	20 PCS/BOX

• SNAP FIT CLICK ASSEMBLY



DM-049 150 x 130 x 27 mm **WALL MOUNT ENCLOSURE**

MATERIAL	ABS
COLOR	WHITE / BLACK
PACKAGING	20 PCS/BOX



DM-050 116 x 96 x 65 mm **WALL MOUNT ENCLOSURE**

DM-050-A W/ TERMINAL WINDOW

DM-050-K W/O TERMINAL WINDOW

MATERIAL	ABS
COLOR	LIGHT GRAY / BLACK
PACKAGING	20 PCS/BOX



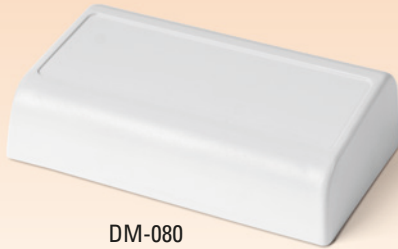
DM-060

DM-060

170 x 120 x 30 mm

WALL MOUNT ENCLOSURE

MATERIAL	ABS
COLOR	LIGHT GRAY / BLACK
PACKAGING	20 PCS/BOX



DM-080

DM-080

145 x 85 x 39 mm

WALL MOUNT ENCLOSURE

MATERIAL	ABS
COLOR	LIGHT GRAY / BLACK
PACKAGING	10 PCS/BOX



DM-090

DM-090

185 x 89 x 58 mm

WALL MOUNT ENCLOSURE

DM-090-A

W/ TERMINAL WINDOW

DM-090-K

W/O TERMINAL WINDOW

MATERIAL	ABS
COLOR	LIGHT GRAY / BLACK
PACKAGING	10 PCS/BOX



DM-100

DM-100

191 x 120 x 65 mm

WALL MOUNT ENCLOSURE

DM-100-A

W/ TERMINAL WINDOW

DM-100-K

W/O TERMINAL WINDOW

MATERIAL	ABS
COLOR	LIGHT GRAY / BLACK
PACKAGING	20 PCS/BOX



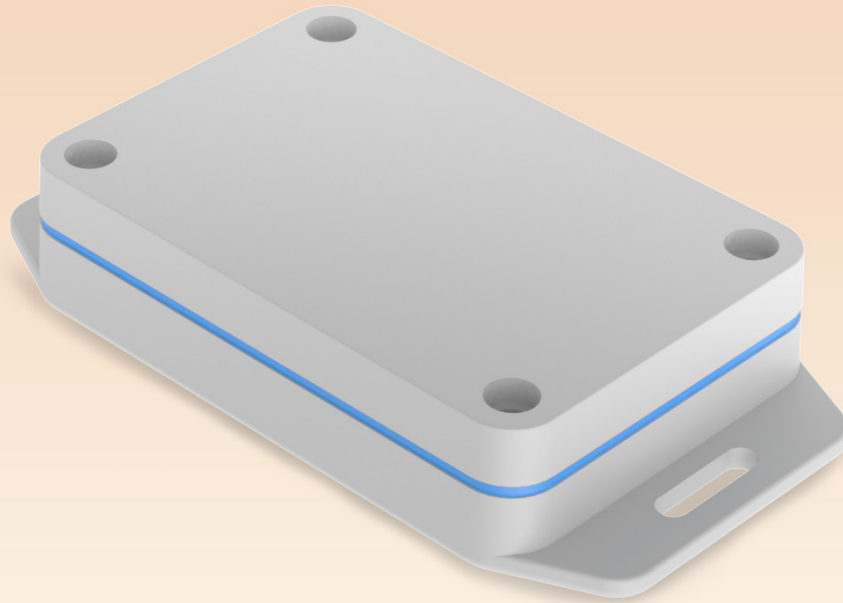
A-662

A-662

FLAT/STAR HEAD PCB SCREW
2,5 x 5 mm

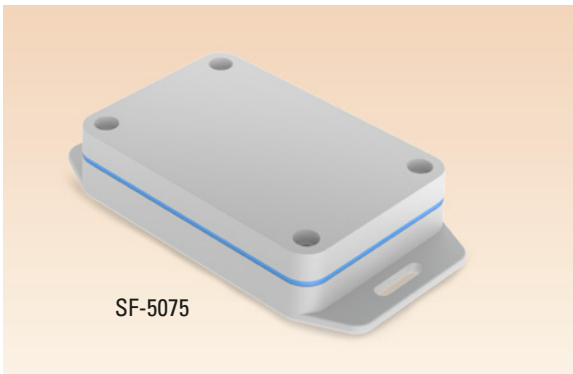
PCB MOUNTING SCREW

PLATING	NICKEL PLATING	SUGGESTED PCB HOLE DIA	3mm
SCREW HEAD	COMBI (FLAT/STAR HEAD)	SUGGESTED PCB PAD DIA	5mm
THREAD	PLASTIC	PLASTIC BOSS HOLE DIA	1.8 - 2.1 mm
PACKAGING	500 PCS/BOX		



IP-67 IOT SENSOR ENCLOSURE

- Ideal for IOT sensor applications
- IP-67 Protection class with TPE Seal
- Various Color Seal Alternatives
- ABS Material
- Optional Stainless Steel
- New sizes in our range soon!

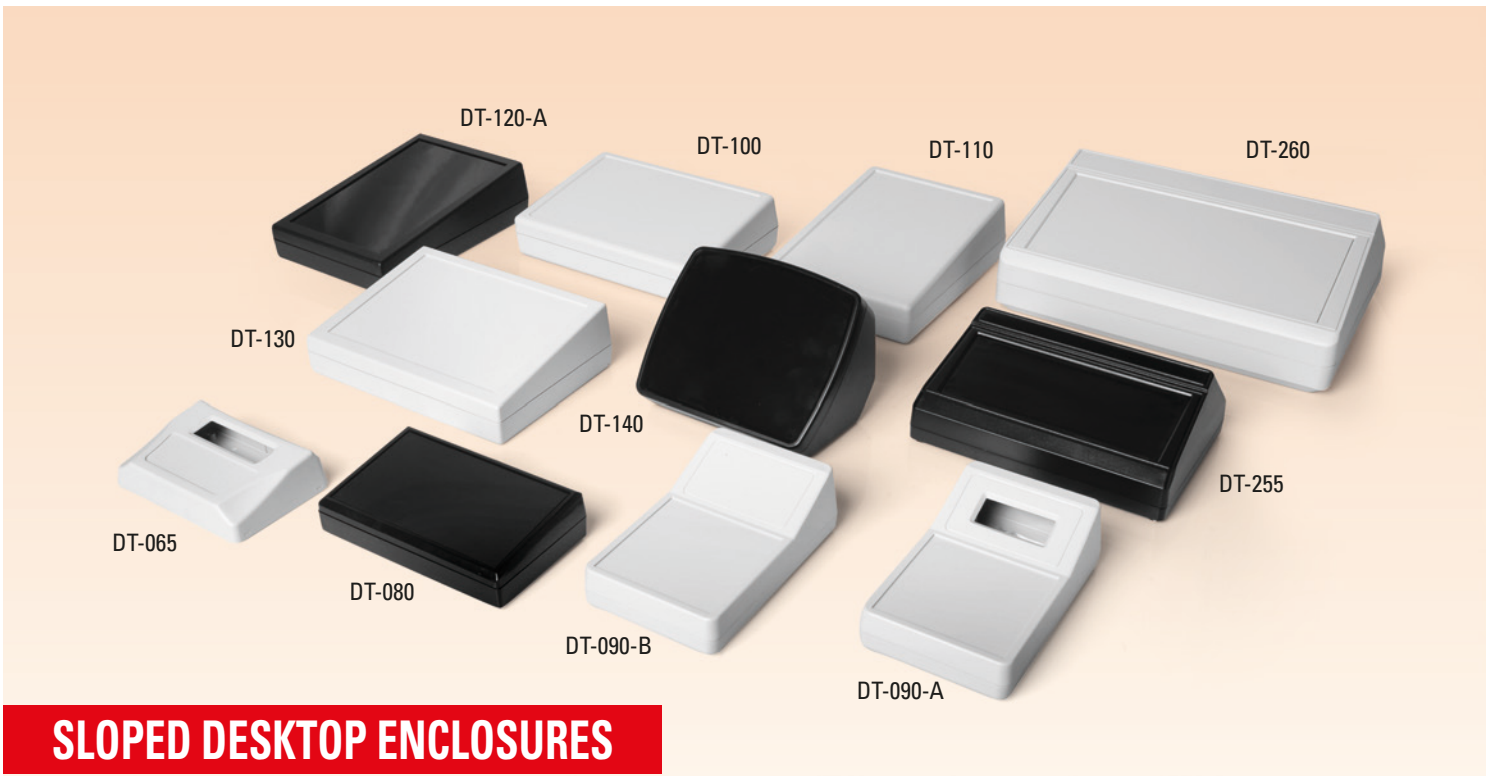


SF-5075


95,8 x 50,8 x 18,5 mm

IP-67 IOT SENSOR ENCLOSURE

MATERIAL	ABS
COLOR	LIGHT GRAY / BLACK
PACKAGING	20 PCS/BOX



SLOPED DESKTOP ENCLOSURES




DT-065

WALL MOUNTED

DT-065		120 x 80 x 31 mm	SLOPED DESKTOP ENCLOSURE
MATERIAL	ABS		
COLOR	LIGHT GRAY / BLACK		
PACKAGING	10 PCS/BOX		


• WINDOW FOR 2X16 LCD SCREEN



DT-080

DT-080		148 x 87 x 38 mm	SLOPED DESKTOP ENCLOSURE
MATERIAL	ABS		
COLOR	LIGHT GRAY / BLACK		
PACKAGING	10 PCS/BOX		

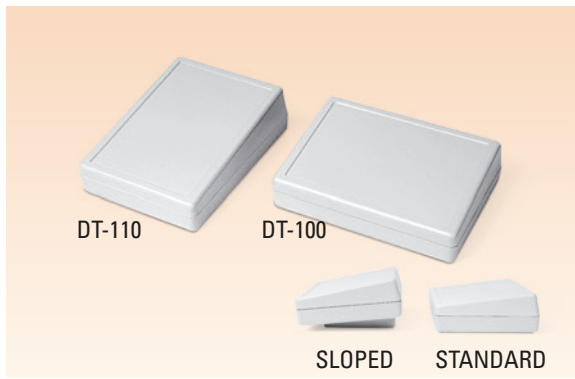
RELATED ACCESSORIES	
A-58 WALL MOUNT WITH NAILS	A-59 WALL MOUNT WITH SCREWS



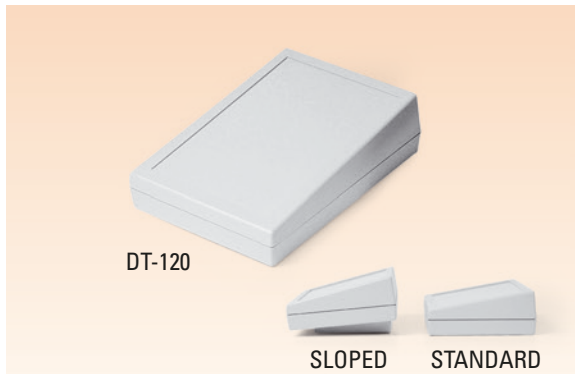
DT-090-A DT-090-B

DT-090		150 x 95 x 49,5 mm	SLOPED DESKTOP ENCLOSURE
DT-090-A	OPEN LCD PANEL	RELATED ACCESSORIES	
DT-090-B	CLOSED LCD PANEL		
DT-090-C	FOR 2x16 LCD SCREEN		
MATERIAL	ABS		
COLOR	LIGHT GRAY / BLACK		
PACKAGING	10 PCS/BOX		

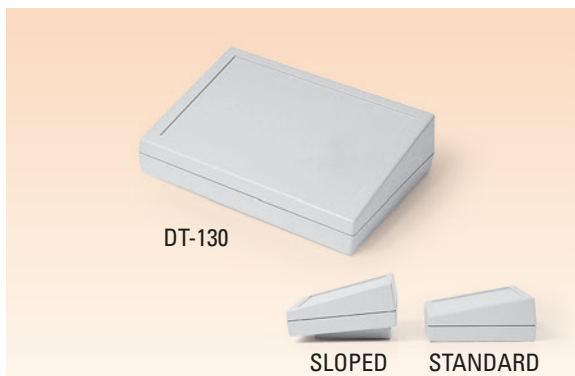
A-58 WALL MOUNT WITH NAILS



DT-100	190 x 137 x 59 mm	SLOPED DESKTOP ENCLOSURE	
DT-110	137 x 190 x 59 mm	MATERIAL	ABS
		COLOR	LIGHT GRAY / BLACK
		PACKAGING	10 PCS/BOX
DT-100-A	SLOPED BASE	RELATED ACCESSORIES	
DT-110-A	SLOPED BASE	A-58 WALL MOUNT WITH NAILS	



DT-120	STANDARD 133 x 188 x 55 mm	SLOPED DESKTOP ENCLOSURE	
DT-120-A	SLOPED BASE	RELATED ACCESSORIES	
		A-58 WALL MOUNT WITH NAILS	
	MATERIAL	ABS	
	COLOR	LIGHT GRAY / BLACK	
	PACKAGING	10 PCS/BOX	



DT-130	STANDARD 188 x 133 x 55 mm	SLOPED DESKTOP ENCLOSURE	
DT-130-A	SLOPED BASE	RELATED ACCESSORIES	
		A-58 WALL MOUNT WITH NAILS	
	MATERIAL	ABS	
	COLOR	LIGHT GRAY / BLACK	
	PACKAGING	10 PCS/BOX	



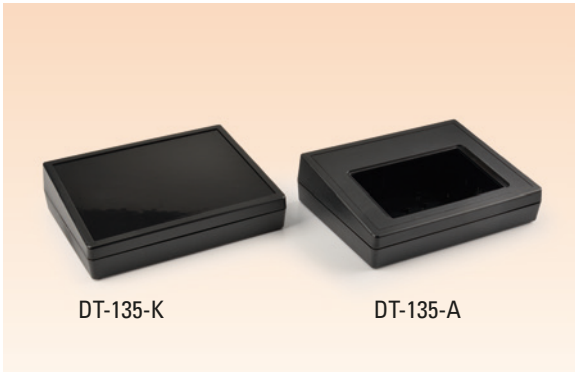
DT-140	STANDARD 150 x 125 x 72 mm	SLOPED DESKTOP ENCLOSURE	
DT-140-A	W/ BATTERY HOLDER	RELATED ACCESSORIES	
		A-58 WALL MOUNT WITH NAILS	
		A-932 2xAA BATTERY CONTACT SET	
	MATERIAL	ABS	
	COLOR	LIGHT GRAY / BLACK	
	BATTERY HOLDER	2xAA or 9V APPLICABLE	
	PACKAGING	10 PCS/BOX	



DT-255	188 x 133 x 62 mm	SLOPED DESKTOP ENCLOSURE	
	MATERIAL	ABS	
	COLOR	LIGHT GRAY / BLACK	
	PACKAGING	10 PCS/BOX	
		RELATED ACCESSORIES	
		A-58 WALL MOUNT WITH NAILS	



DT-260	273 x 200 x 90 mm	SLOPED DESKTOP ENCLOSURE
MATERIAL	ABS	RELATED ACCESSORIES
COLOR	LIGHT GRAY / BLACK	A-58 WALL MOUNT WITH NAILS
PACKAGING	5 PCS/BOX	



DT-135	270 x 200 x 71 mm	SLOPED DESKTOP ENCLOSURE
DT-135-A	RASPBERRY PI 7" TOUCH SCREEN	RELATED ACCESSORIES
DT-135-K	CLOSED LCD SCREEN	A-58 WALL MOUNT WITH NAILS
		MATERIAL ABS
		COLOR LIGHT GRAY / BLACK
		PACKAGING 5 PCS/BOX



RASPBERRY PI ENCLOSURES



PI-312 63 x 113 x 29 mm **RASPBERRY PI MODEL B ENCLOSURE**

MATERIAL	PC / ABS
COLOR	BLACK / WHITE / RED / CLEAR
PACKAGING	1 PCS/BOX

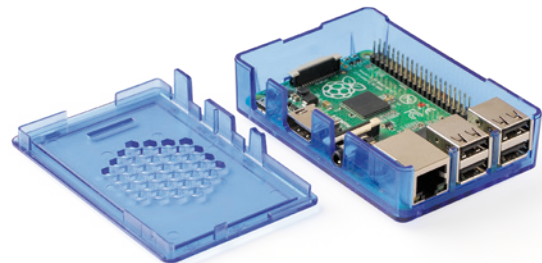
- COMPATIBLE WITH RASPBERRY PI MODEL B
- NOT COMPATIBLE WITH RASPBERRY PI MODEL B+, MODEL A+, MODEL 2
- RASPBERRY PI IS A TRADEMARK OF RASPBERRY FOUNDATION UK
- MODEL COMPATIBLE WITH MODEL B+ AND MODEL 2

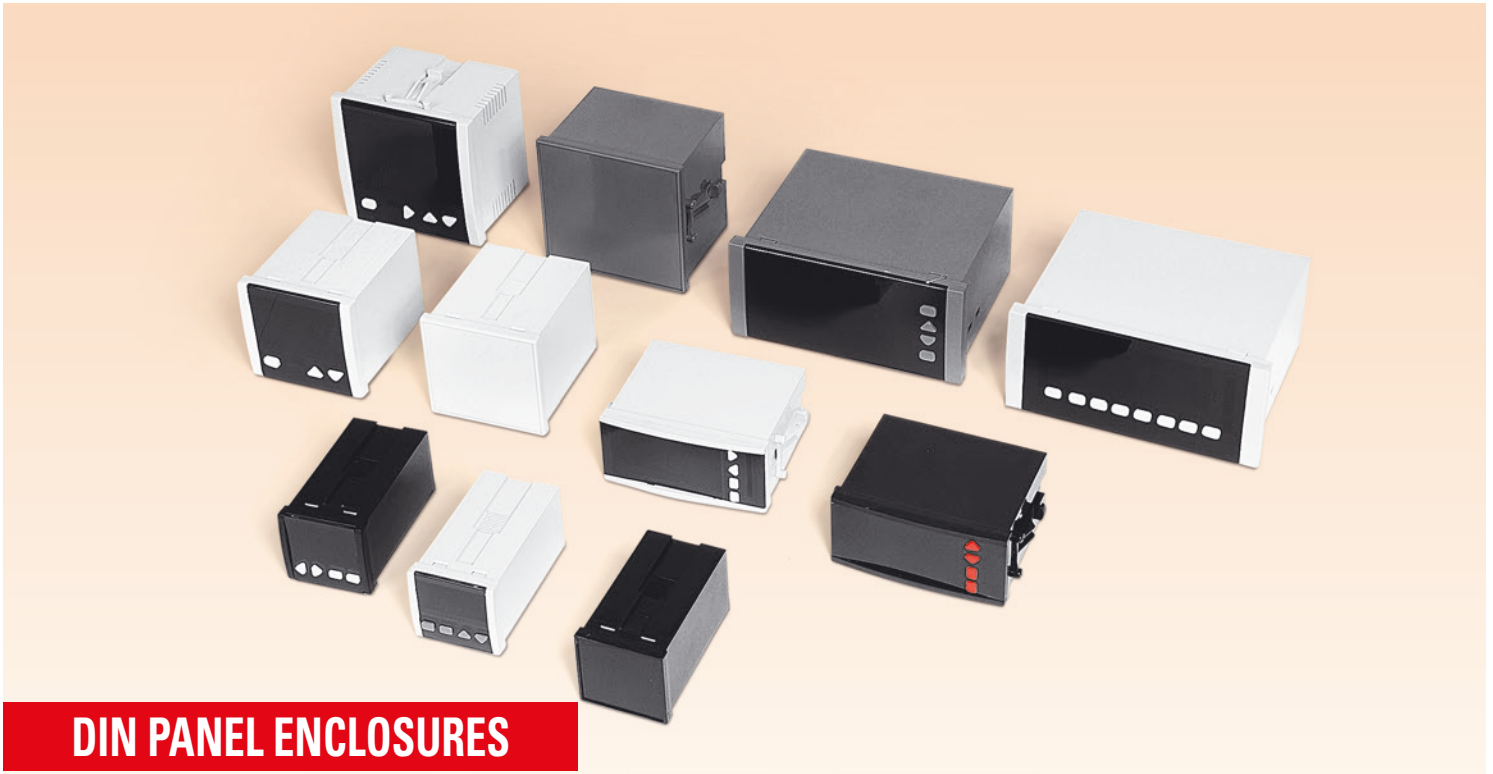


PI-314 63 x 93 x 25 mm **RASPBERRY PI 3 MODEL B AND RASPBERRY PI MODEL 1 B+ ENCLOSURE**

MATERIAL	PC
COLOR	BLUE / CLEAR / BLACK / WHITE / GRAY
PACKAGING	1 PCS/BOX

- COMPATIBLE WITH RASPBERRY PI 3
- COMPATIBLE WITH RASPBERRY MODEL B AND RASPBERRY 1 B+
- RASPBERRY PI IS A TRADEMARK OF RASPBERRY FOUNDATION UK





DIN PANEL ENCLOSURES



PT-125

PT-125

36 x 72 x 85 mm

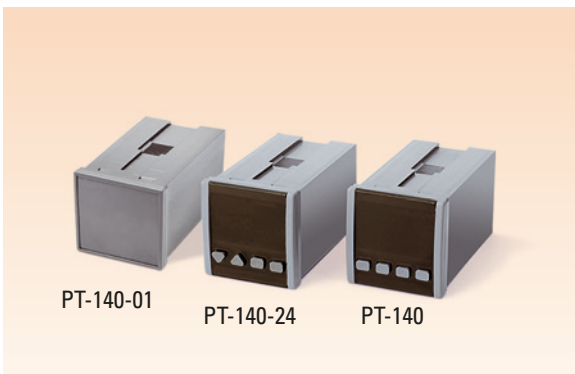
DIN PANEL ENCLOSURES

MATERIAL	ABS
COLOR	LIGHT GRAY / DARK GRAY / BLACK
PACKAGING	20 PCS/BOX

FRONT PANEL COLOR OPTIONS

CLEAR / SMOKED

- ORIENTATION OF FRONT PANEL BUTTONS CAN BE CUSTOMIZED



PT-140-01

PT-140-24

PT-140

PT-140-01

48 x 48 x 82 mm

DIN PANEL ENCLOSURES

PT-140-24

48 x 48 x 85 mm
W/ BUTTONS

MATERIAL	ABS
COLOR	LIGHT GRAY / DARK GRAY / BLACK
PACKAGING	20 PCS/BOX

FRONT PANEL COLOR OPTIONS

OPAQUE / SMOKED / CLEAR

- ORIENTATION OF FRONT PANEL BUTTONS CAN BE CUSTOMIZED



PT-165

PT-165

48 x 96 x 77 mm

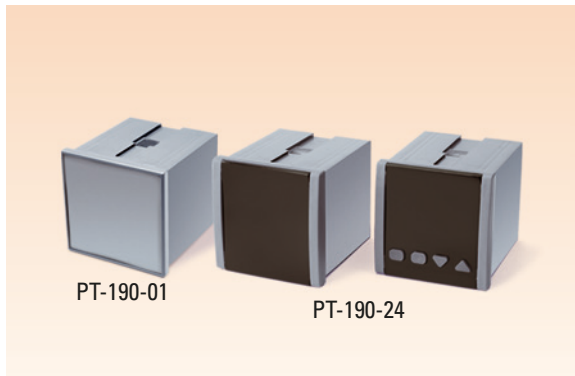
DIN PANEL ENCLOSURES

MATERIAL	ABS
COLOR	LIGHT GRAY / BLACK
PACKAGING	20 PCS/BOX

FRONT PANEL COLOR OPTIONS

OPAQUE / SMOKED / CLEAR

- ORIENTATION OF FRONT PANEL BUTTONS CAN BE CUSTOMIZED



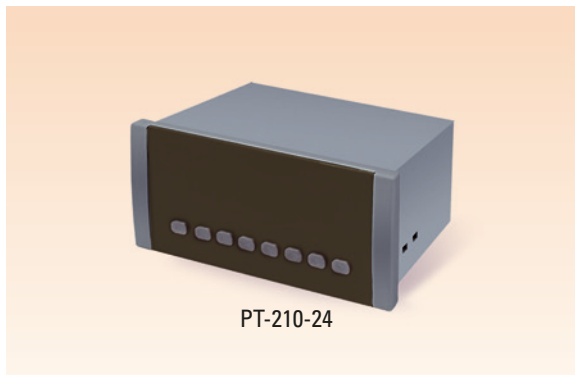
PT-190-01	72 x 72 x 81 mm	DIN PANEL ENCLOSURES	
PT-190-24	72 x 72 x 85 mm W/ BUTTONS	MATERIAL	ABS
		COLOR	LIGHT GRAY / DARK GRAY / BLACK
		PACKAGING	20 PCS/BOX
FRONT PANEL COLOR OPTIONS			
OPAQUE / SMOKED / CLEAR			

• ORIENTATION OF FRONT PANEL BUTTONS CAN BE CUSTOMIZED



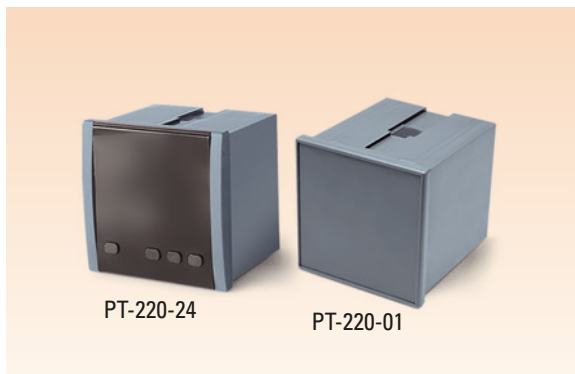
PT-205-01	72 x 144 x 68 mm	DIN PANEL ENCLOSURES	
PT-205-24	72 x 144 x 75,8 mm W/ BUTTONS	MATERIAL	ABS
		COLOR	LIGHT GRAY / DARK GRAY / BLACK
		PACKAGING	20 PCS/BOX
FRONT PANEL COLOR OPTIONS			
OPAQUE / SMOKED / CLEAR			

• ORIENTATION OF FRONT PANEL BUTTONS CAN BE CUSTOMIZED



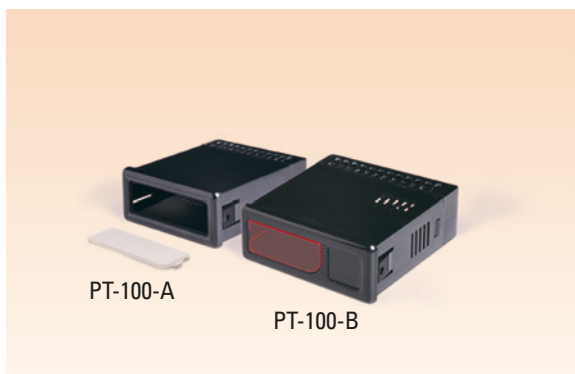
PT-210-01	72 x 144 x 108 mm	DIN PANEL ENCLOSURES	
PT-210-24	72 x 144 x 115 mm W/ BUTTONS	MATERIAL	ABS
		COLOR	LIGHT GRAY / DARK GRAY / BLACK
		PACKAGING	20 PCS/BOX
FRONT PANEL COLOR OPTIONS			
OPAQUE / SMOKED / CLEAR			

• ORIENTATION OF FRONT PANEL BUTTONS CAN BE CUSTOMIZED



PT-220-01	96 x 96 x 72 mm	DIN PANEL ENCLOSURES	
PT-220-24	96 x 96 x 76 mm W/ BUTTONS	MATERIAL	ABS
		COLOR	LIGHT GRAY / DARK GRAY / BLACK
		PACKAGING	20 PCS/BOX
FRONT PANEL COLOR OPTIONS			
OPAQUE / SMOKED / CLEAR			

• ORIENTATION OF FRONT PANEL BUTTONS CAN BE CUSTOMIZED



PT-100-A	FULLY OPEN 33 x 75 x 79 mm	DIN PANEL ENCLOSURES	
PT-100-B	W/ LABEL POOL 33 x 75 x 79 mm	MATERIAL	ABS
		COLOR	BLACK
		PACKAGING	20 PCS/BOX
FRONT PANEL COLOR OPTIONS			
LIGHT GRAY / CLEAR / RED			



PT-102

76,5 x 34,5 x 70 mm

DIN PANEL ENCLOSURES

MATERIAL	BODY ABS V0 / PANEL PC
COLOR	BLACK
PACKAGING	20 PCS/BOX



PT-115

36 x 72 x 50 mm

DIN PANEL ENCLOSURES

MATERIAL	ABS
COLOR	LIGHT GRAY / BLACK
PACKAGING	20 PCS/BOX

FRONT PANEL COLOR OPTIONS
RED / GRAY



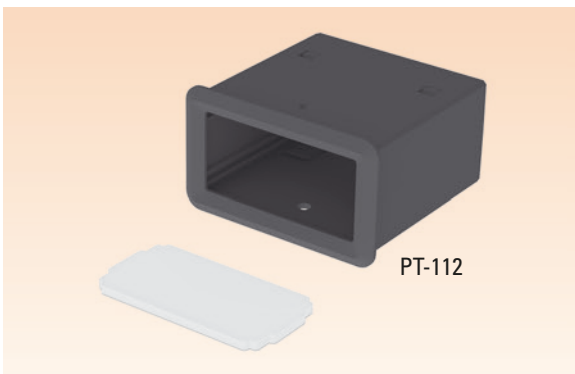
PT-110

37 x 63 x 61 mm

DIN PANEL ENCLOSURES

MATERIAL	ABS
COLOR	LIGHT GRAY / BLACK
PACKAGING	40 PCS/BOX

FRONT PANEL COLOR OPTIONS
RED / GRAY



PT-112

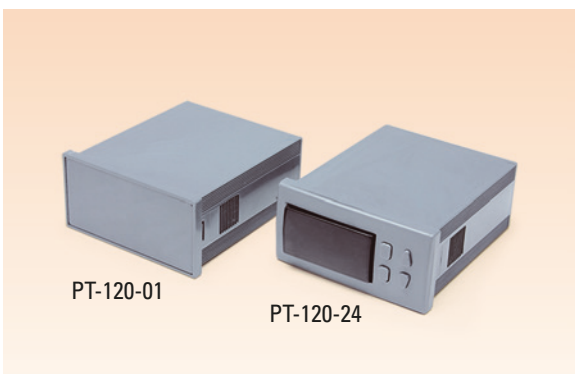
37 x 62 x 61 mm

DIN PANEL ENCLOSURES

MATERIAL	ABS
COLOR	LIGHT GRAY / BLACK
PACKAGING	40 PCS/BOX

FRONT PANEL COLOR OPTIONS
RED / GRAY

NO SCREW, CLICK ASSEMBLY



PT-120-01

36 x 72 x 81 mm

DIN PANEL ENCLOSURES

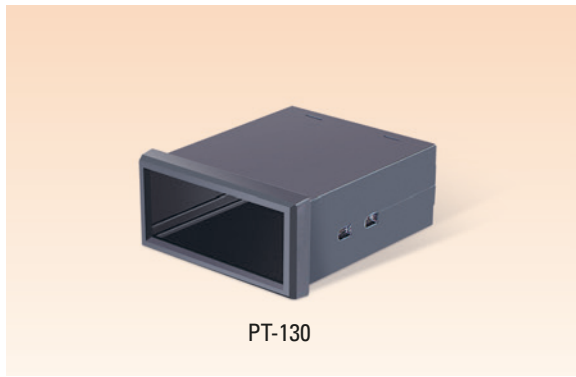
PT-120-24

W/ BUTTONS
36 x 72 x 85 mm

CONCAVE FRONT PANEL COLOR OPTIONS
SMOKED / RED

MATERIAL	ABS
COLOR	LIGHT GRAY / DARK GRAY / BLACK
PACKAGING	20 PCS/BOX

FRONT PANEL COLOR OPTIONS
OPAQUE / CLEAR / RED

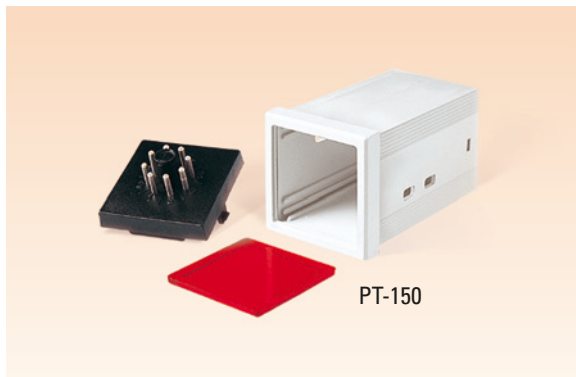


PT-130

36 x 72 x 85 mm

DIN PANEL ENCLOSURES

MATERIAL	ABS
COLOR	LIGHT GRAY / BLACK
PACKAGING	20 PCS/BOX



PT-150

48 x 48 x 87 mm

DIN PANEL ENCLOSURES

MATERIAL	ABS
COLOR	LIGHT GRAY / BLACK
PACKAGING	20 PCS/BOX

CONNECTION OPTIONS

8 PINS SOCKET TYPE

11 PINS SOCKET TYPE

FRONT PANEL COLOR OPTIONS

LIGHT GRAY / CLEAR / RED



PT-160

48 x 96 x 123 mm

DIN PANEL ENCLOSURES

MATERIAL	ABS
COLOR	LIGHT GRAY / BLACK
PACKAGING	20 PCS/BOX

FRONT PANEL COLOR OPTIONS

LIGHT GRAY / CLEAR / RED



PT-170

72 x 72 x 74 mm

DIN PANEL ENCLOSURES

MATERIAL	ABS
COLOR	LIGHT GRAY / BLACK
PACKAGING	40 PCS/BOX

BACK PANEL OPTIONS

FLAT PANEL

TERMINAL PANEL



PT-180

72 x 72 x 75 mm

DIN PANEL ENCLOSURES

MATERIAL	ABS
COLOR	LIGHT GRAY / BLACK
PACKAGING	20 PCS/BOX

BACK PANEL OPTIONS

FLAT PANEL

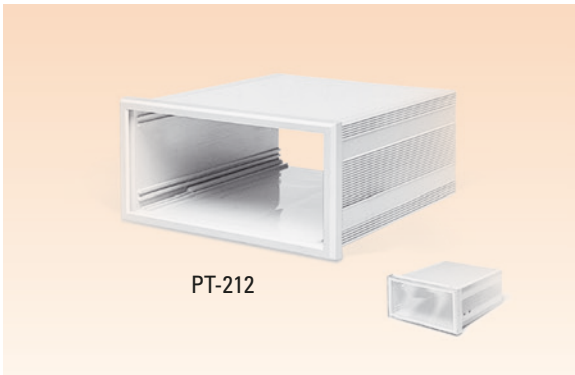
TERMINAL PANEL

FRONT PANEL COLOR OPTIONS

LIGHT GRAY / CLEAR / RED



PT-200	72 x 72 x 104 mm	DIN PANEL ENCLOSURES
MATERIAL	ABS	BACK PANEL OPTIONS
COLOR	LIGHT GRAY / BLACK	FLAT PANEL
PACKAGING	20 PCS/BOX	TERMINAL PANEL
FRONT PANEL COLOR OPTIONS		
LIGHT GRAY / CLEAR / RED		



PT-212	72 x 144 x 162 mm	DIN PANEL ENCLOSURES
MATERIAL	ABS	
COLOR	LIGHT GRAY / BLACK	
PACKAGING	20 PCS/BOX	
FRONT PANEL COLOR OPTIONS		
LIGHT GRAY / CLEAR / RED		

*PROTECTIVE CLEAR CAP IS OPTIONAL



PT-230	96 x 96 x 74 mm	DIN PANEL ENCLOSURES
MATERIAL	ABS	
COLOR	LIGHT GRAY / BLACK	
PACKAGING	20 PCS/BOX	
BACK PANEL OPTIONS		
FLAT PANEL		
TERMINAL PANEL		



PT-240	96 x 96 x 75 mm	DIN PANEL ENCLOSURES
MATERIAL	ABS	
COLOR	LIGHT GRAY / BLACK	
PACKAGING	20 PCS/BOX	
FRONT PANEL COLOR OPTIONS		
LIGHT GRAY / CLEAR / RED		
BACK PANEL OPTIONS		
FLAT PANEL		
TERMINAL PANEL		



PT-250	96 x 96 x 102 mm	DIN PANEL ENCLOSURES
MATERIAL	ABS	
COLOR	LIGHT GRAY / BLACK	
PACKAGING	20 PCS/BOX	
FRONT PANEL COLOR OPTIONS		
LIGHT GRAY / CLEAR / RED		
BACK PANEL OPTIONS		
FLAT PANEL		
TERMINAL PANEL		



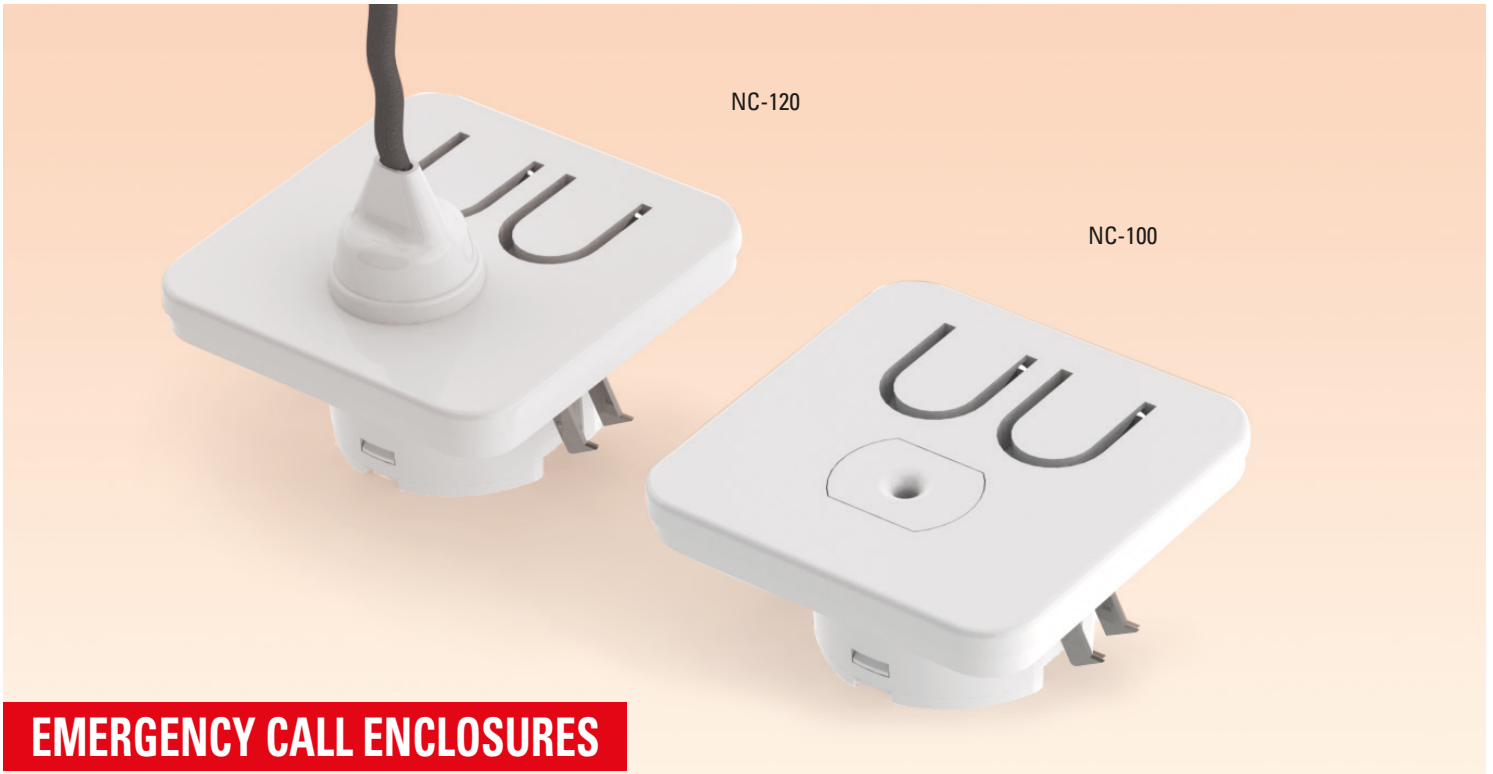
PT-260	96 x 96 x 135 mm	DIN PANEL ENCLOSURES
MATERIAL	ABS	
COLOR	LIGHT GRAY / BLACK	
PACKAGING	20 PCS/BOX	
FRONT PANEL COLOR OPTIONS		
LIGHT GRAY / CLEAR / RED		
BACK PANEL OPTIONS		
FLAT PANEL		
TERMINAL PANEL		



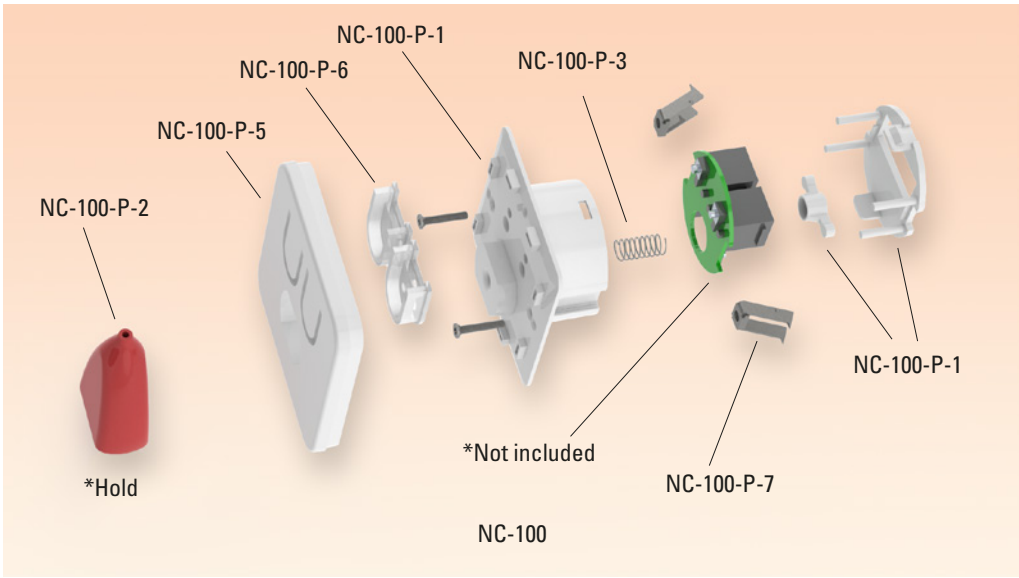
PT-270	144 x 144 x 85 mm	DIN PANEL ENCLOSURES
MATERIAL	ABS	
COLOR	LIGHT GRAY / BLACK	
PACKAGING	20 PCS/BOX	
FRONT PANEL COLOR OPTIONS		
LIGHT GRAY OPAQUE / HINGED TRANSPARENT		
BACK PANEL OPTIONS		
FLAT PANEL		
TERMINAL PANEL		



PT-280	144 x 144 x 140 mm	DIN PANEL ENCLOSURES
MATERIAL	ABS	
COLOR	LIGHT GRAY / BLACK	
PACKAGING	20 PCS/BOX	
FRONT PANEL COLOR OPTIONS		
LIGHT GRAY OPAQUE / HINGED TRANSPARENT		
BACK PANEL OPTIONS		
FLAT PANEL		
TERMINAL PANEL		



EMERGENCY CALL ENCLOSURES

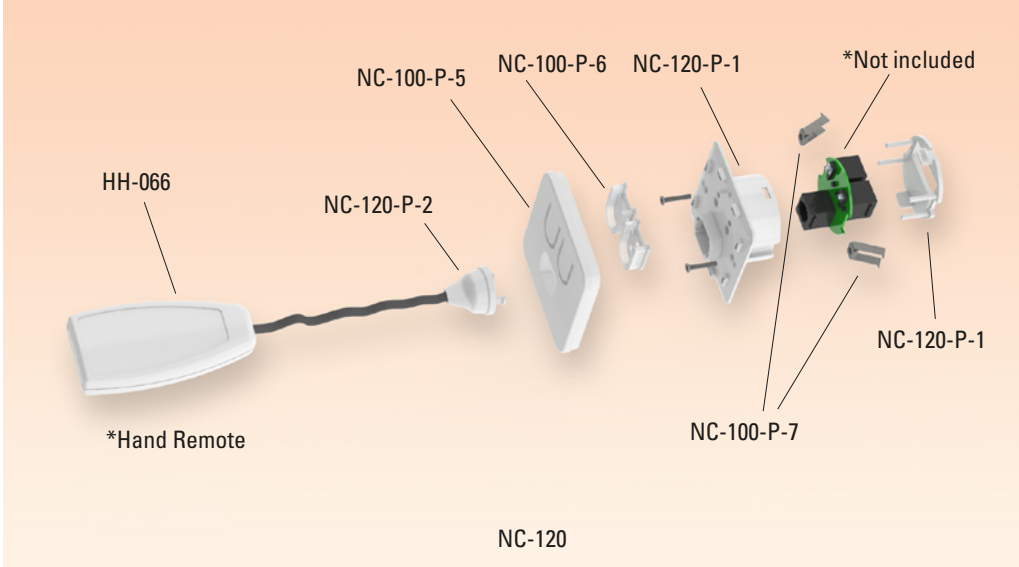


NC-100 Wc Emergency Call Enclosure with a String

EMBEDDED EMERGENCY CALL ENCLOSURE WITH A STRING

MATERIAL	ABS
COLOR	WHITE
PACKAGING	10 PCS/BOX

- SUITABLE FOR 60MM ROUND JUNCTION BOX
- FOR NURSE CALL, WC EMERGENCY CALL SYSTEMS
- ELECTRONICS AND PCB IS NOT INCLUDED

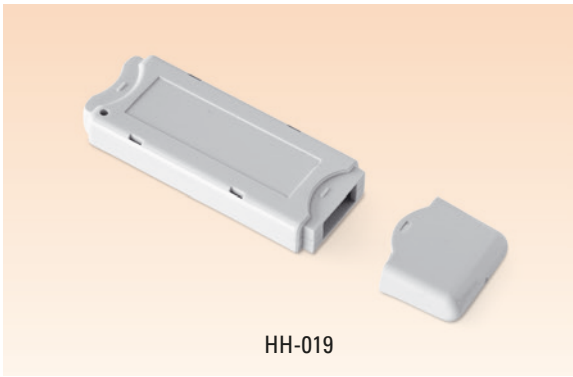


NC-120 Bed Side Nurse Call

EMBEDDED ROOM EMERGENCY CALL ENCLOSURE

MATERIAL	ABS
COLOR	WHITE
PACKAGING	10 PCS/BOX

- SUITABLE FOR 60MM ROUND JUNCTION BOX
- SUITABLE FOR NURSE CALL SYSTEMS
- HAND REMOTE IS NOT INCLUDED
- PCB IS NOT INCLUDED



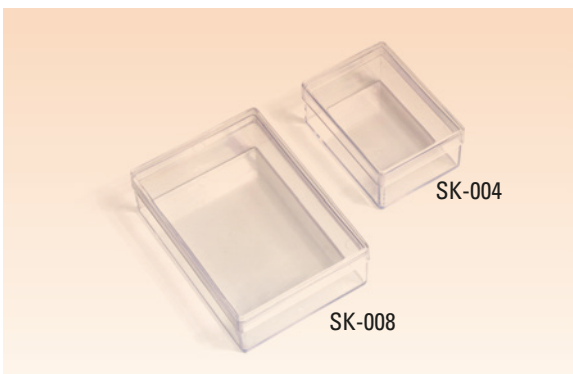
HH-019	USB ENCLOSURE 71 x 23 x 8,7 mm	OTHER ENCLOSURES
MATERIAL	ABS	
COLOR	LIGHT GRAY	



OP-010	PHOTOCELL SENSOR 56 x 60 x 66 mm	OTHER ENCLOSURES
MATERIAL		
BODY	LIGHT GRAY / DARK GRAY / BLACK	
COVER	PS	
PACKAGING	20 PCS/BOX	



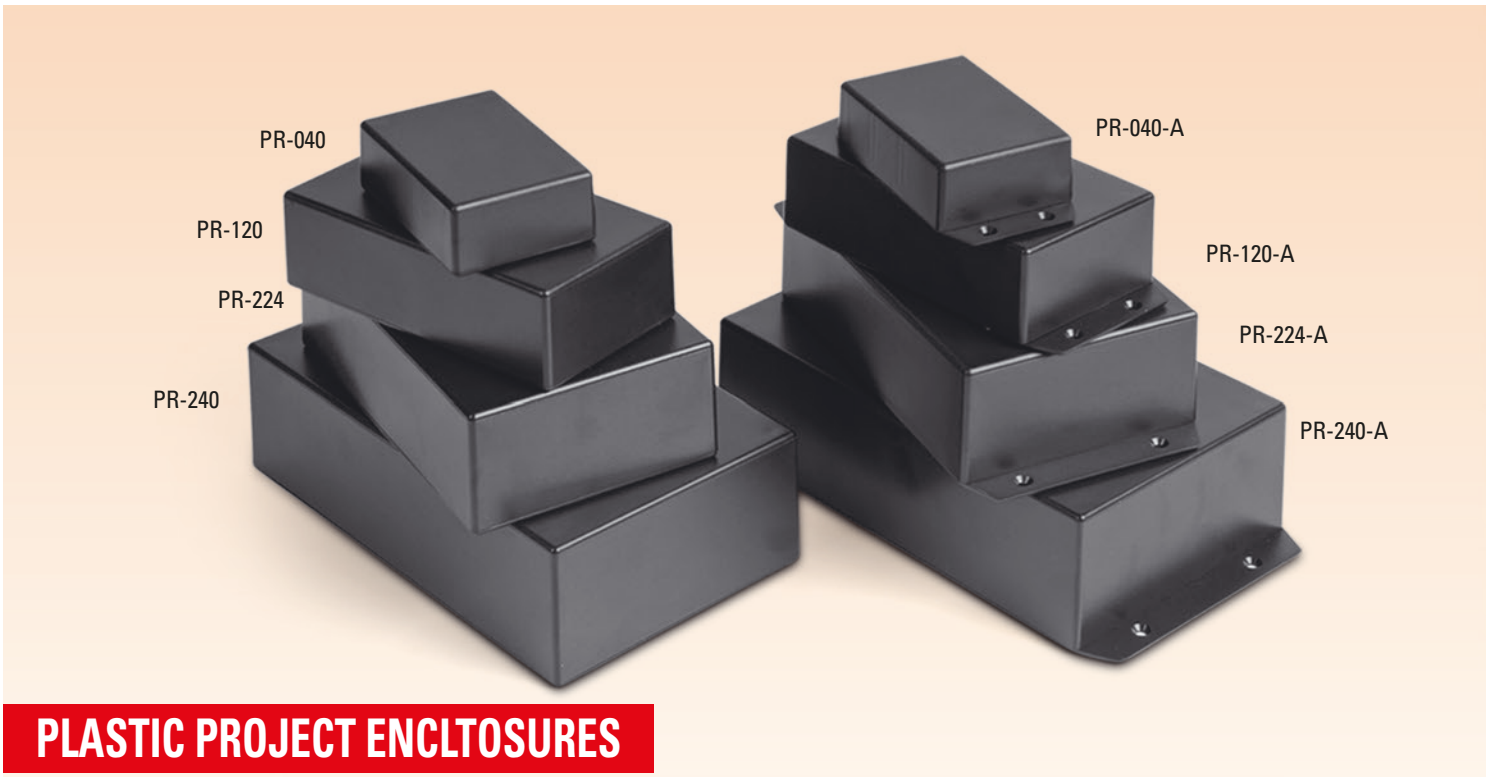
PE-100	33 x 45 x 50 mm	POTTING ENCLOSURES
PE-100-A	OPEN BOTTOM	
PE-100-B	OPEN TOP	
MATERIAL	ABS-FR	
COLOR	BLACK	
PACKAGING	50 PCS/BOX	



SK-004	71 x 51 x 31 mm	TRANSPARENT STORAGE ENCLOSURES
SK-008	101 x 71 x 31 mm	
SK-010	120 x 80 x 36 mm	
MATERIAL	SAN	
PACKAGING	50 PCS/BOX	

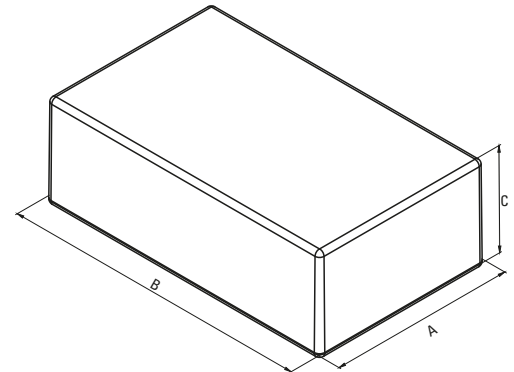


DM-034	82 x 80 x 50 mm	WALL MOUNT ENCLOSURES
MATERIAL	ABS-PVC	
COLOR	WHITE	
PACKAGING	20 PCS/BOX	

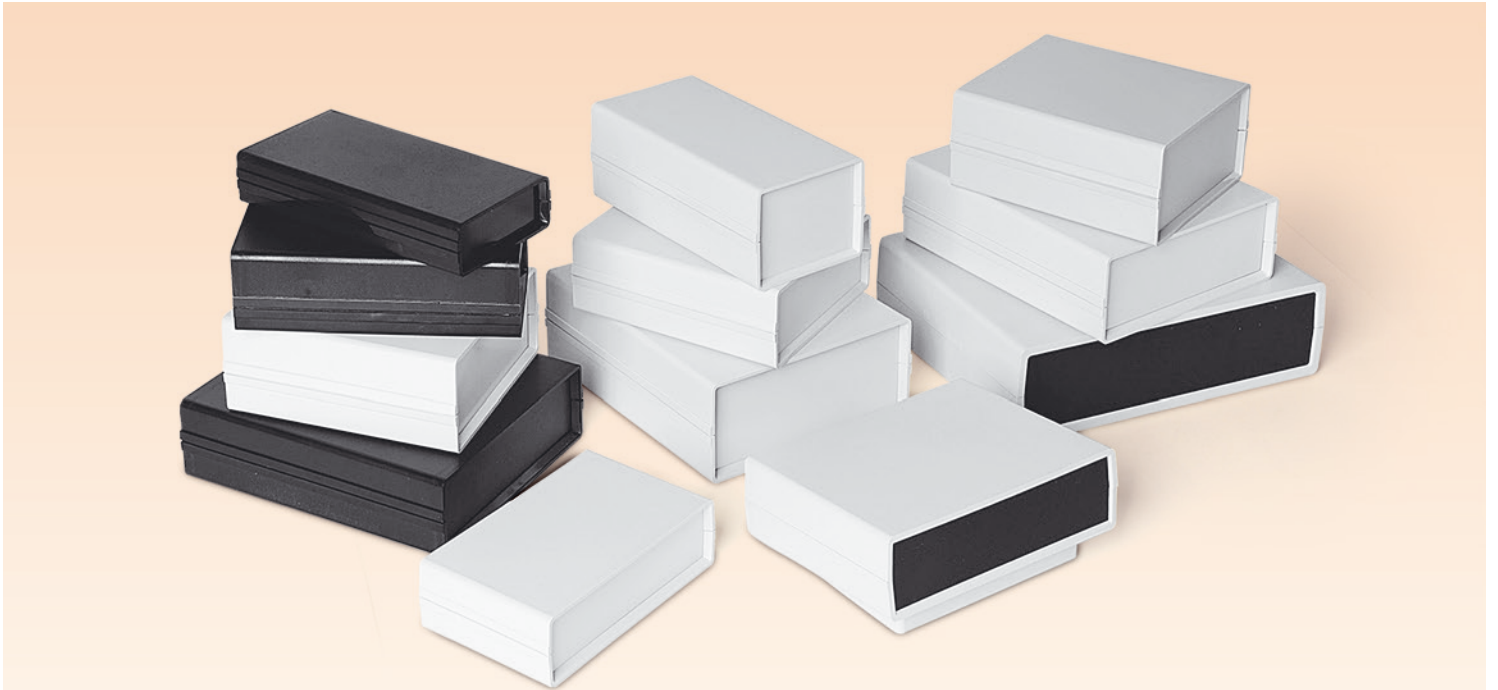


PLASTIC PROJECT ENCLTOSURES

- Low-cost
- ABS UL94-HB Material
- Vertical Card Rails
- Optional Wall Mount Ears
- Plugs for Covering Connection Screws
- Light Gray and Black

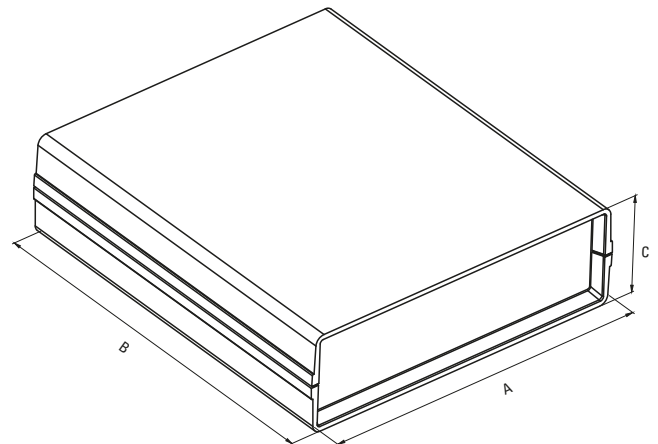


Code	W (A)	L (B)	H (C)	Mounting Ears
PR-040	54	83	30	
PR-040-A	54	83	30	Available
PR-080	60	106	45	
PR-080-A	60	106	45	Available
PR-120	68	130	44	
PR-120-A	68	130	44	Available
PR-224	96	158	53	
PR-224-A	96	158	53	Available
PR-240	113	197,4	63	
PR-240-A	113	197,4	63	Available



PLASTIC PROJECT ENCLOSURES

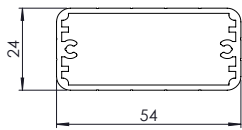
- ABS UL94-HB material
- Light gray and black color options
- Low cost
- Easy assembly thanks to separable design and moveable front and back panels.
- Wall mounting option with suitable wall mounting kits
- Angled mounting kit available for DT-210 and DT-220, for sloped usage



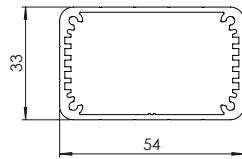
Code	W (A)	L (B)	H (C)	Mounting Screws
HH-8080	85	155	30	4 Pcs
HH-8082	85	155	45	4 Pcs
HH-8282	85	155	60	4 Pcs
DT-085	145	85	38	2 Pcs
DT-0505	130	138	48	2 Pcs
DT-0508	130	138	54	2 Pcs
DT-0808	130	138	61	2 Pcs
DT-0909	126	137	82	2 Pcs
DT-1010	154	174	47	4 Pcs
DT-1020	154	174	54	4 Pcs
DT-2020	154	174	61	4 Pcs
DT-210	166	120	45	4 Pcs
Angled Mounting Feet DT-210-A	166	120	45	4 Pcs
DT-220	226	166	60	4 Pcs
Angled Mounting Feet DT-220-A	226	166	60	4 Pcs



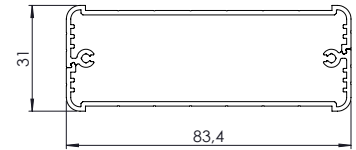
ALUMINUM PROFILE ENCLOSURES



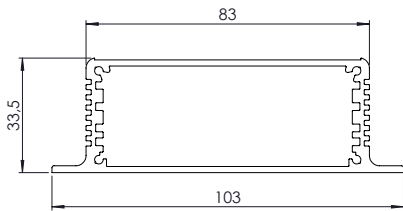
AL-052



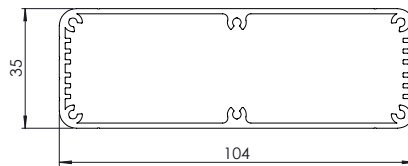
AL-053



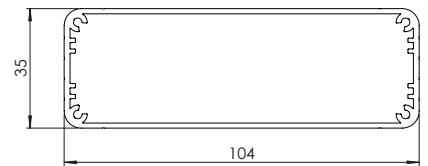
AL-083



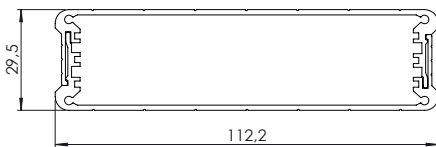
AL-084



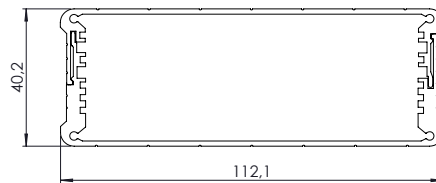
AL-103



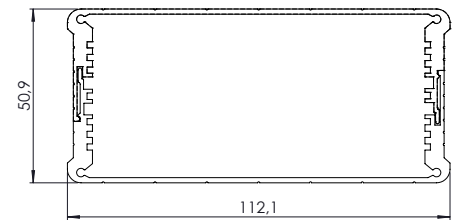
AL-104



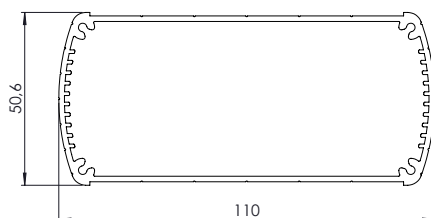
AL-113




AL-114



AL-115

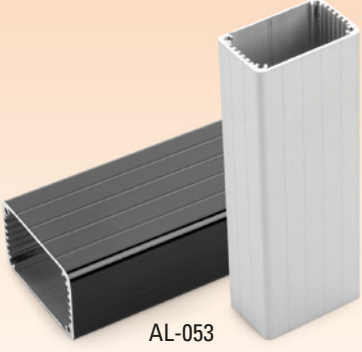


AL-105



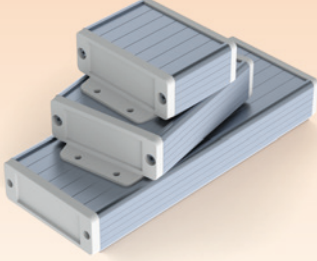
AL-052

AL-052-5	54 x 24 x 56 mm	ALUMINUM PROFILE ENCLOSURES	
AL-052-10	54 x 24 x 106 mm	MATERIAL	ALUMINUM 6063
AL-052-15	54 x 24 x 156 mm	COLOR	BLACK (RAL 9005) / CREAM (RAL 9001) / SILVER (RAL 9006)
AL-052-20	54 x 24 x 206 mm	COATING	ELECTROSTATIC GLOSS COATING
AL-052-XX	54 x 24 x (CUSTOM SIZE) mm	PANELS	ALUMINUM PANELS
		* AL-052-XX LENGTH CAN CHANGE BETWEEN 40mm AND 3m.	



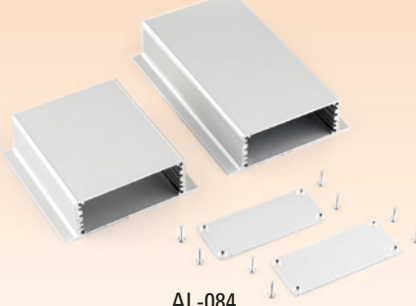
AL-053

AL-053-5	54 x 33 x 50 mm	ALUMINUM PROFILE ENCLOSURES	
AL-053-10	54 x 33 x 100 mm	MATERIAL	ALUMINUM 6063
AL-053-15	54 x 33 x 150 mm	COLOR	BLACK (RAL 9005) / SILVER (RAL 9006)
AL-053-20	54 x 33 x 200 mm	COATING	ELECTROSTATIC GLOSS COATING
AL-052-XX	54 x 33 x (CUSTOM SIZE) mm	PANELS	1.5mm ALUMINUM PANELS
		* AL-053-XX LENGTH CAN CHANGE BETWEEN 40mm AND 3m.	



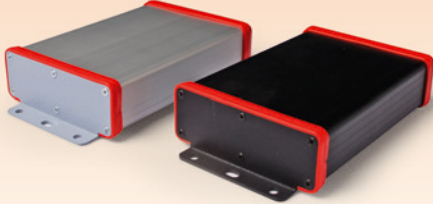
AL-083

AL-083-5	83,4 x 31 x 62 mm	ALUMINUM PROFILE ENCLOSURES	
AL-083-10	83,4 x 31 x 112 mm	MATERIAL	ALUMINUM 6063
AL-083-15	83,4 x 31 x 162 mm	COLOR	NATURAL / BLACK
AL-083-20	83,4 x 31 x 212 mm	COATING	MATTE ANODIZED COATING
AL-083-XX	83,4 x 31 x (CUSTOM SIZE) mm	PANELS	FLAT PLASTIC PANELS / FLANGED PLASTIC PANELS
		* AL-083-XX LENGTH CAN CHANGE BETWEEN 40mm AND 3m.	



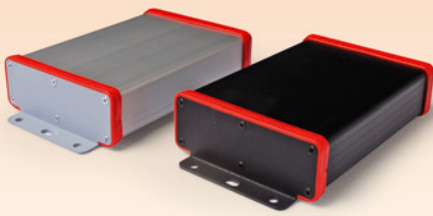
AL-084

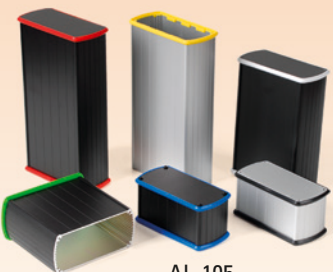
AL-084-5	103 x 33,5 x 50 mm	ALUMINUM PROFILE ENCLOSURES	
AL-084-10	103 x 33,5 x 100 mm	MATERIAL	ALUMINUM 6063
AL-084-15	103 x 33,5 x 150 mm	COLOR	NATURAL / BLACK
AL-084-20	103 x 33,5 x 200 mm	COATING	MATTE ANODIZED COATING
AL-084-XX	103 x 33,5 x (CUSTOM SIZE) mm	PANELS	1.5mm ALUMINUM PANELS
		* AL-084-XX LENGTH CAN CHANGE BETWEEN 40mm AND 3m.	

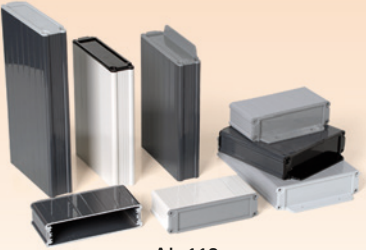


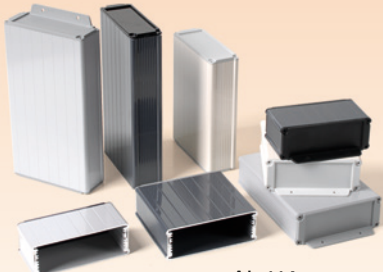
AL-103

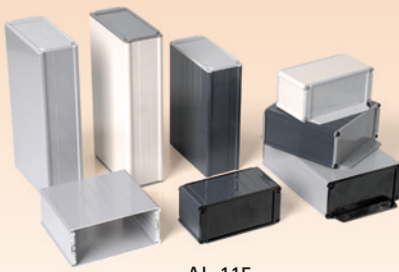
AL-103-5	104 x 35 x 56 mm	ALUMINUM PROFILE ENCLOSURES	
AL-103-10	104 x 35 x 106 mm	MATERIAL	ALUMINUM 6063
AL-103-15	104 x 35 x 156 mm	COLOR	NATURAL / BLACK
AL-103-20	104 x 35 x 206 mm	COATING	MATTE ANODIZED COATING
AL-103-XX	104 x 35 x (CUSTOM SIZE) mm	PANELS	1.5mm ALUMINUM PANELS
		* AL-103-XX LENGTH CAN CHANGE BETWEEN 40mm AND 3m.	

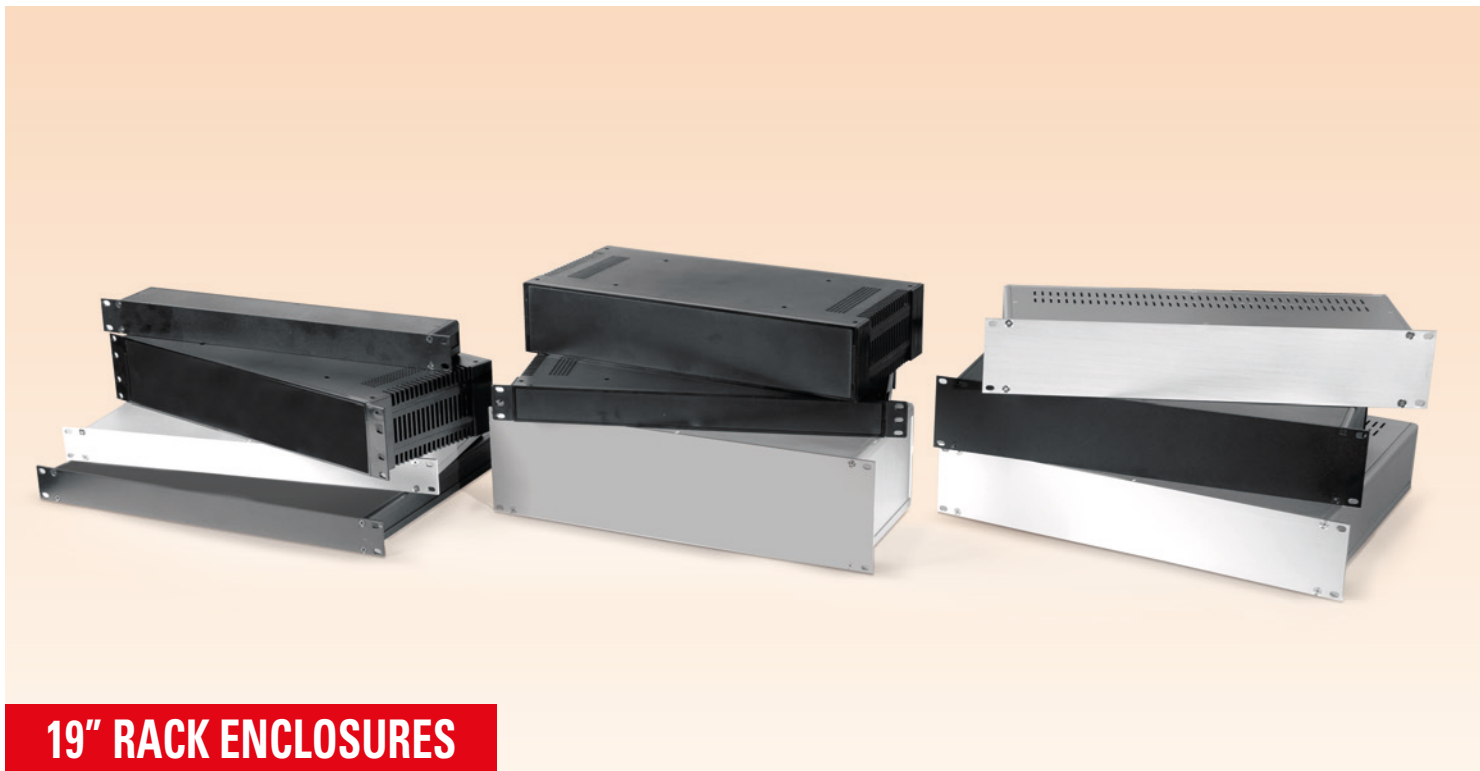
 <p>AL-104</p>	AL-104-5	104 x 35 x 50 mm	ALUMINUM PROFILE ENCLOSURES	
	AL-104-10	104 x 35 x 100 mm	MATERIAL	ALUMINUM 6063
	AL-104-15	104 x 35 x 150 mm	COLOR	NATURAL / BLACK
	AL-104-20	104 x 35 x 200 mm	COATING	MATTE ANODIZED COATING
	AL-104-XX	104 x 35 x (CUSTOM SIZE) mm	PANELS	1.5mm ALUMINUM PANELS
		* AL-104-XX LENGTH CAN CHANGE BETWEEN 40mm AND 3m.		

 <p>AL-105</p>	AL-105-5	110 x 50 x 56 mm	ALUMINUM PROFILE ENCLOSURES	
	AL-105-10	110 x 50 x 106 mm	MATERIAL	ALUMINUM 6063
	AL-105-15	110 x 50 x 156 mm	COLOR	NATURAL / BLACK
	AL-105-20	110 x 50 x 206 mm	COATING	MATTE ANODIZED COATING
	AL-105-XX	110 x 50 x (CUSTOM SIZE) mm	PANELS	1.5mm ALUMINUM PANELS
		* AL-105-XX LENGTH CAN CHANGE BETWEEN 40mm AND 3m.		

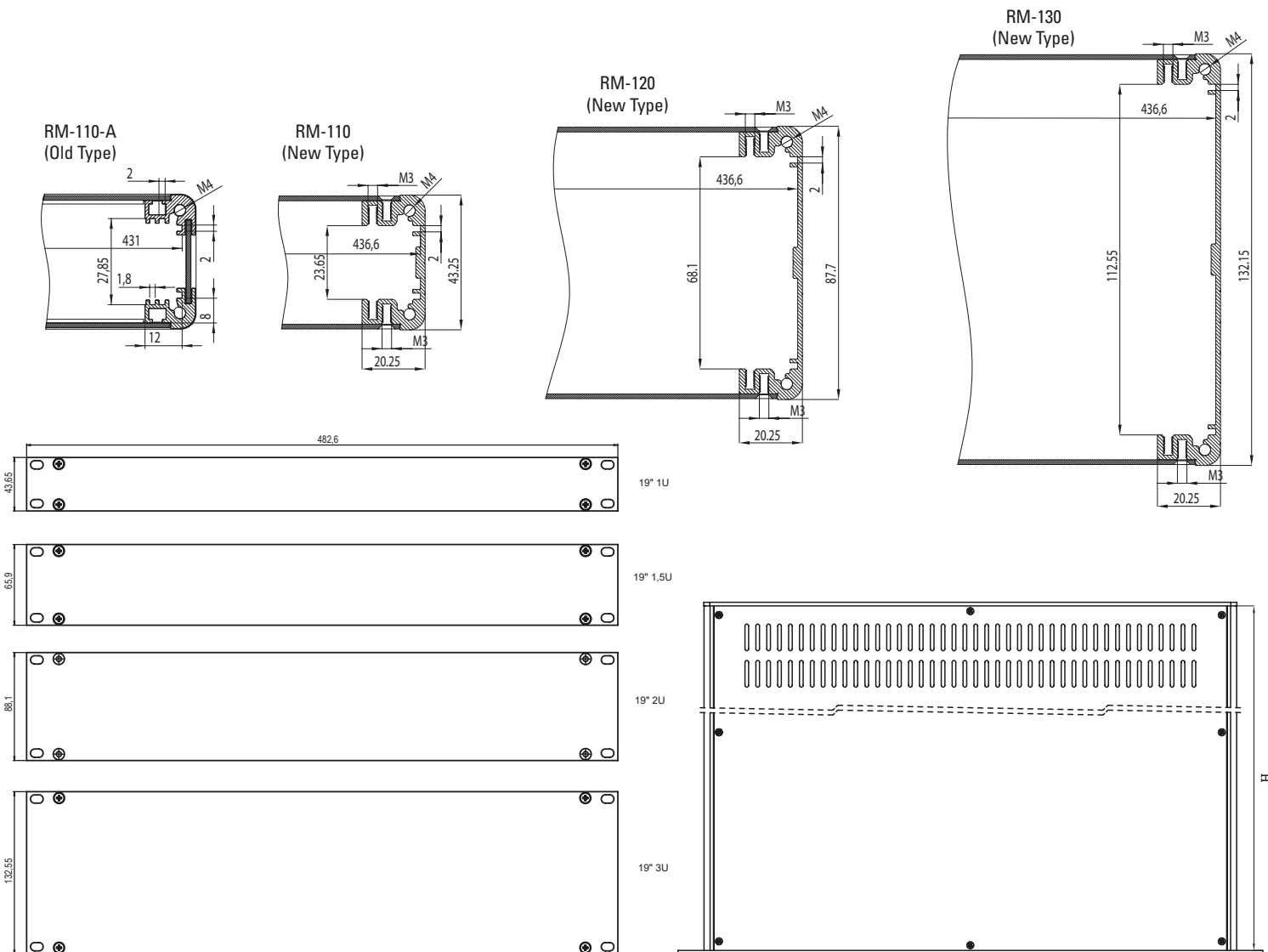
 <p>AL-113</p>	AL-113-5	112 x 29.5 x 56 mm	ALUMINUM PROFILE ENCLOSURES	
	AL-113-10	112 x 29.5 x 106 mm	MATERIAL	ALUMINUM 6063
	AL-113-15	112 x 29.5 x 156 mm	COLOR	GRAFITTE GRAY / CREAM / SILVER / BLACK
	AL-113-20	112 x 29.5 x 206 mm	COATING	ELECTROSTATIC GLOSS COATING
	AL-113-XX	112 x 29.5 x (CUSTOM SIZE) mm	PANELS	FLAT PLASTIC / FLANGED PLASTIC / UNPAINTED ALUMINUM
		* AL-113-XX LENGTH CAN CHANGE BETWEEN 40mm AND 3m.		

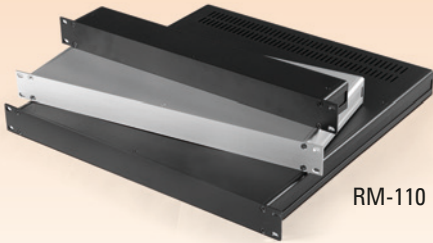
 <p>AL-114</p>	AL-114-5	112 x 40 x 56 mm	ALUMINUM PROFILE ENCLOSURES	
	AL-114-10	112 x 40 x 106 mm	MATERIAL	ALUMINUM 6063
	AL-114-15	112 x 40 x 156 mm	COLOR	GRAFITTE GRAY / CREAM / SILVER / BLACK
	AL-114-20	112 x 40 x 206 mm	COATING	ELECTROSTATIC GLOSS COATING
	AL-114-XX	112 x 40 x (CUSTOM SIZE) mm	PANELS	FLAT PLASTIC / FLANGED PLASTIC / UNPAINTED ALUMINUM
		* AL-114-XX LENGTH CAN CHANGE BETWEEN 40mm AND 3m.		

 <p>AL-115</p>	AL-115-5	112 x 50 x 56 mm	ALUMINUM PROFILE ENCLOSURES	
	AL-115-10	112 x 50 x 106 mm	MATERIAL	ALUMINUM 6063
	AL-115-15	112 x 50 x 156 mm	COLOR	GRAFITTE GRAY / CREAM / SILVER / BLACK
	AL-115-20	112 x 50 x 206 mm	COATING	ELECTROSTATIC GLOSS COATING
	AL-115-XX	112 x 50 x (CUSTOM SIZE) mm	PANELS	FLAT PLASTIC / FLANGED PLASTIC / UNPAINTED ALUMINUM
		* AL-115-XX LENGTH CAN CHANGE BETWEEN 40mm AND 3m.		



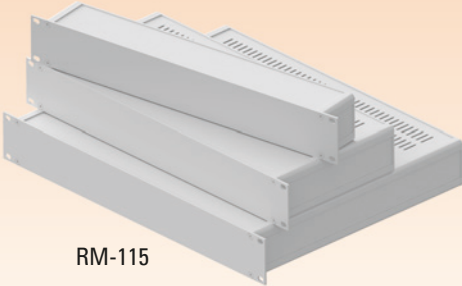
19" RACK ENCLOSURES






RM-110-6	19" 1U RACK MOUNT 482,6 x 43,65 x 66 mm	19" RACK ENCLOSURES MATERIAL ALUMINUM FRONT-BACK PANELS 3mm ALUMINUM SIDE PANELS 1,5 mm ALUMINUM FEATURE 19" 1U RACK TYPE RENK NATURAL ANODIZED BLACK POWDER PAINT
RM-110-14	482,6 x 43,65 x 146 mm	
RM-110-20	482,6 x 43,65 x 206 mm	
RM-110-36	482,6 x 43,65 x 366 mm	
RM-110-45	482,6 x 43,65 x 456 mm	

*VENTILATION OPTON




RM-115-6	19" 1,5 U RACK MOUNT 482,6 x 65,9 x 66 mm	19" RACK ENCLOSURES MATERIAL ALUMINUM FRONT-BACK PANELS 3mm ALUMINUM SIDE PANELS 1,5 mm ALUMINUM FEATURE 19" 1U RACK TYPE COLOR NATURAL ANODIZED BLACK POWDER PAINT
RM-115-14	482,6 x 65,9 x 146 mm	
RM-115-20	482,6 x 65,9 x 206 mm	
RM-115-36	482,6 x 65,9 x 366 mm	
RM-115-45	482,6 x 65,9 x 456 mm	

*VENTILATION OPTON




RM-120-6	19" 2U RACK MOUNT 482,6 x 88,1 x 66 mm	19" RACK ENCLOSURES MATERIAL ALUMINUM FRONT-BACK PANELS 3mm ALUMINUM SIDE PANELS 1,5 mm ALUMINUM FEATURE 19" 2U RACK TYPE COLOR NATURAL ANODIZED BLACK POWDER PAINT
RM-120-14	482,6 x 88,1 x 146 mm	
RM-120-20	482,6 x 88,1 x 206 mm	
RM-120-36	482,6 x 88,1 x 366 mm	
RM-120-45	482,6 x 88,1 x 456 mm	

*VENTILATION OPTON

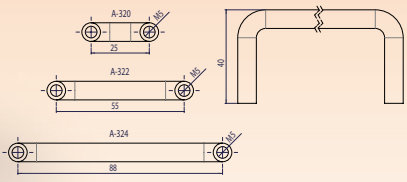


RM-130-6	19" 3U RACK MOUNT 482,6 x 132,5 x 66 mm	19" RACK ENCLOSURES MATERIAL ALUMINUM FRONT-BACK PANELS 3mm ALUMINUM SIDE PANELS 1,5 mm ALUMINUM FEATURE 19" 3U RACK TYPE COLOR NATURAL ANODIZED BLACK POWDER PAINT
RM-130-14	482,6 x 132,5 x 146 mm	
RM-130-20	482,6 x 132,5 x 206 mm	
RM-130-36	482,6 x 132,5 x 366 mm	
RM-130-45	482,6 x 132,5 x 456 mm	

*VENTILATION OPTON

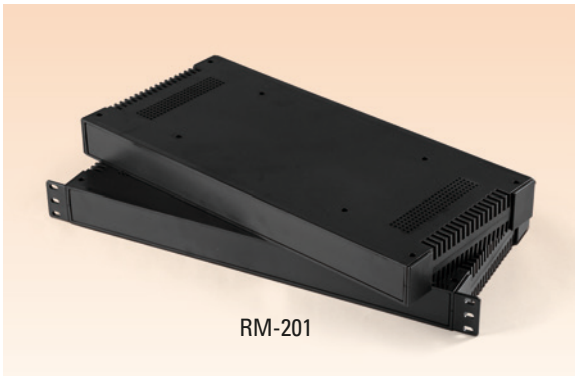


A-320
A-322
A-324



A-320	Handle for 19" 1U Rack Enclosure
A-322	Handle for 19" 2U Rack Enclosure
A-324	Handle for 19" 2U Rack Enclosure

*STAINLESS OPTION



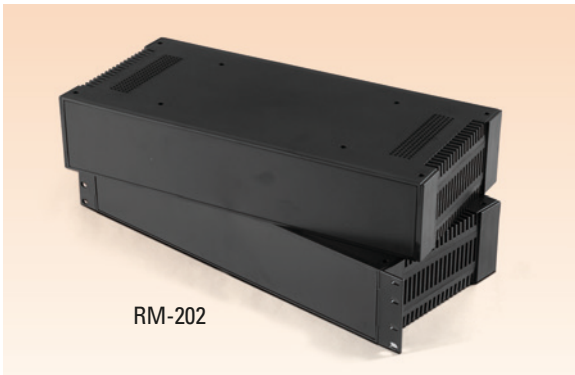
RM-201

RM-201

431 x 203 x 44 mm

19" RACK ENCLOSURES

MATERIAL	ABS
FEATURE	19" 1U RACK TYPE
COLOR	BLACK
PACKAGING	1 PCS/BOX



RM-202

RM-202

431 x 203 x 88 mm

19" RACK ENCLOSURES

MATERIAL	ABS
FEATURE	19" 2U RACK TYPE
COLOR	BLACK
PACKAGING	1 PCS/BOX



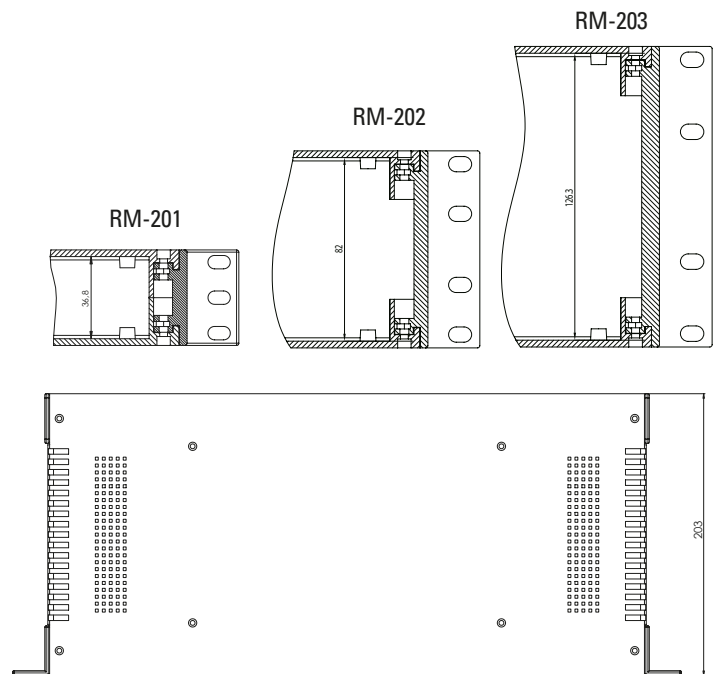
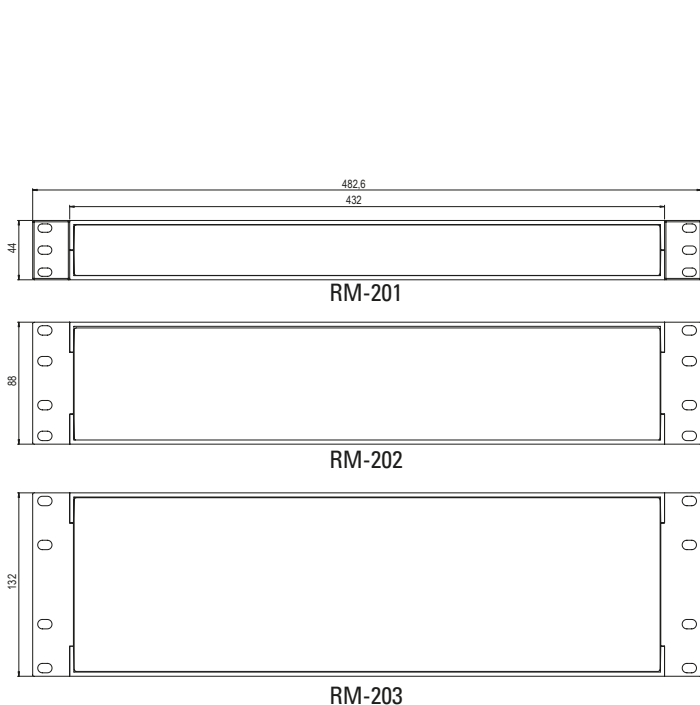
RM-203

RM-203

431 x 203 x 132 mm

19" RACK ENCLOSURES

MATERIAL	ABS
FEATURE	19" 3U RACK TYPE
COLOR	BLACK
PACKAGING	1 PCS/BOX



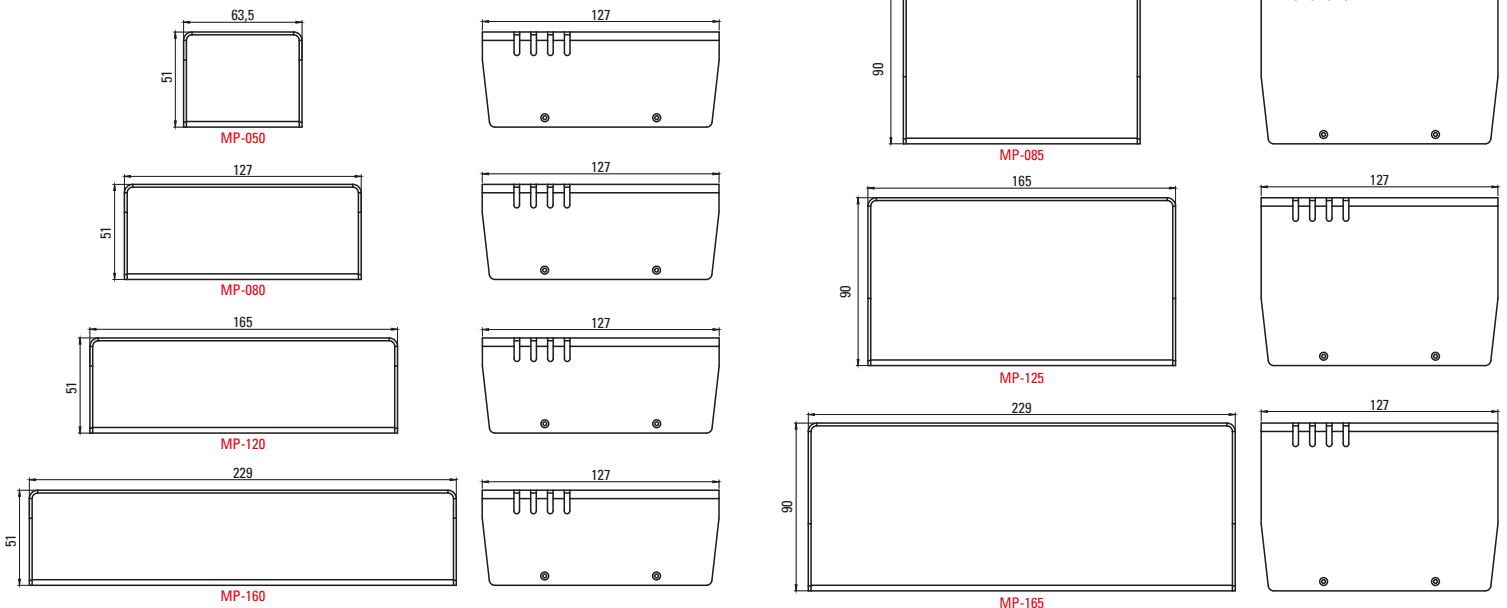


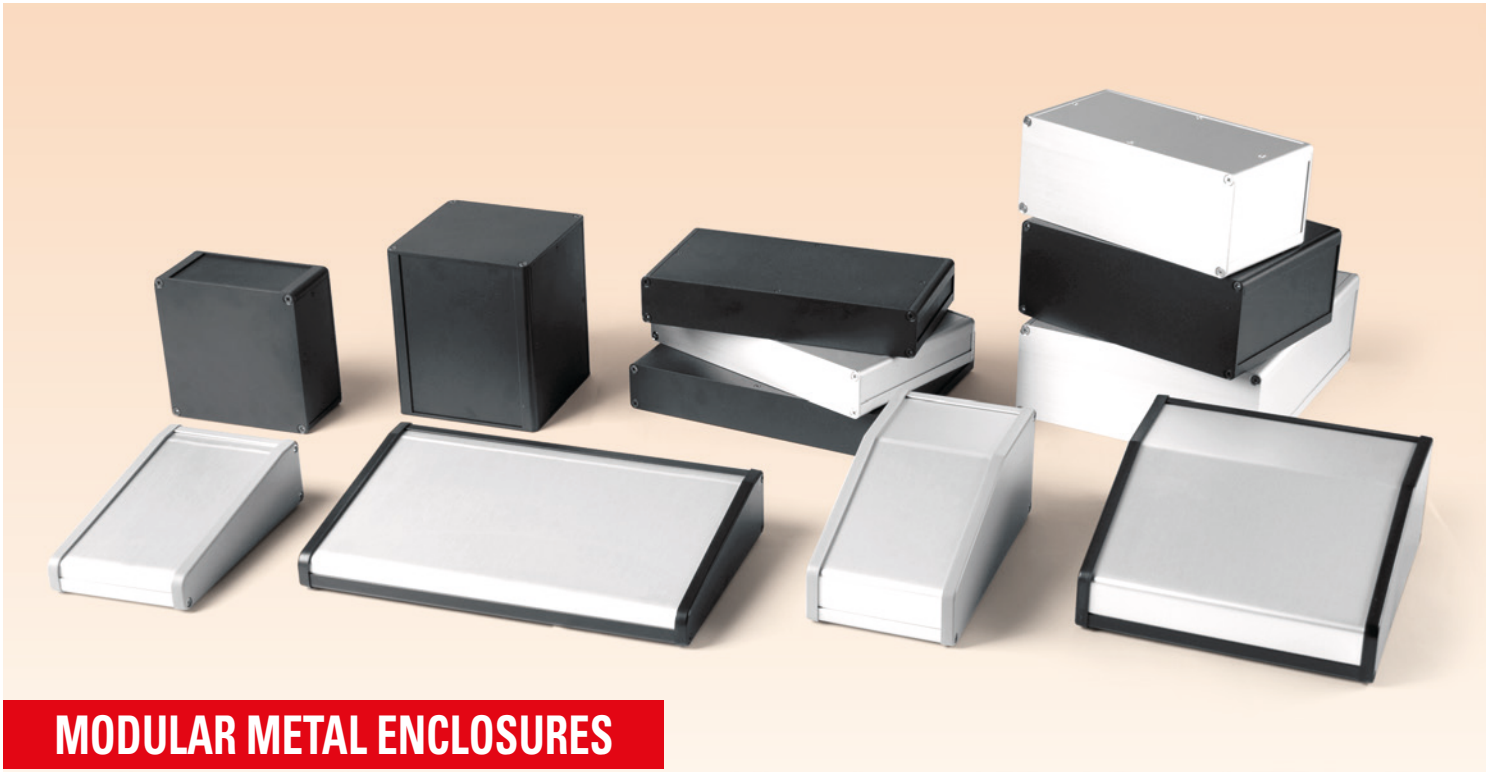
METAL PROJECT ENCLOSURES

- 1.5mm DKP sheet
- High quality thanks to manufacturing with molding
- Electronics powder paint
- Special ventilation channels
- Black Ral 9005 Top

- White base
- M3 Mounting screws
- Plastic feet
- Mounting holes in the base

Code	W (A)	L (B)	H (C)
MP-050	63,5	127	51
MP-055	63,5	127	90
MP-080	127	127	51
MP-085	127	127	90
MP-120	165	127	51
MP-125	165	127	90
MP-160	229	127	51
MP-165	229	127	90





MODULAR METAL ENCLOSURES

MM-195 - MM-239

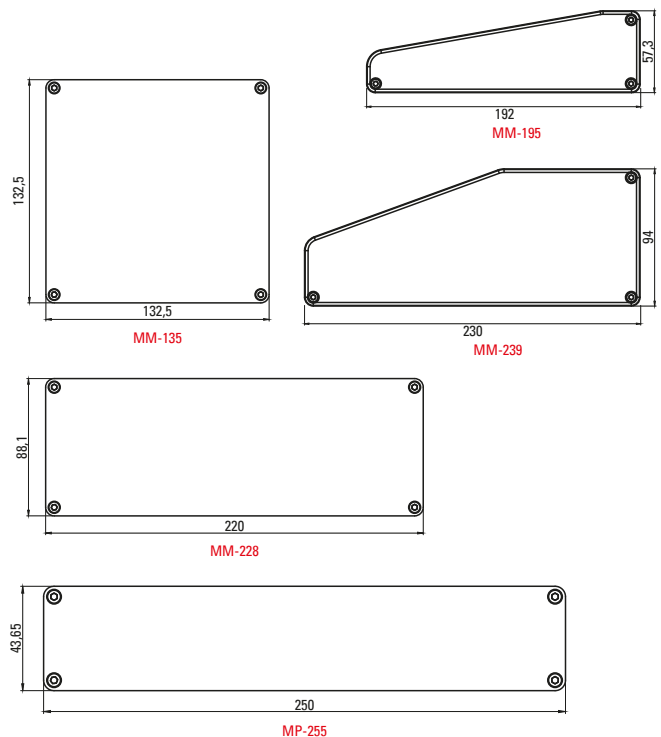
MATERIALS	ALUMINUM / ABS
BLACK	Side Panels Black ABS Black Electrostatic Coated Aluminum Profiles 1,5mm Black ESTB Aluminum Sheet Bottom and Back Panels 1,5 mm Natural Anodized Aluminum Sheet Top Panels
NATURAL	Side Panels RAL 7035 Light Gray ABS Natural Anodized Aluminum Profiles 1,5 mm Natural Anodized Aluminum Sheet Bottom and Top Panels

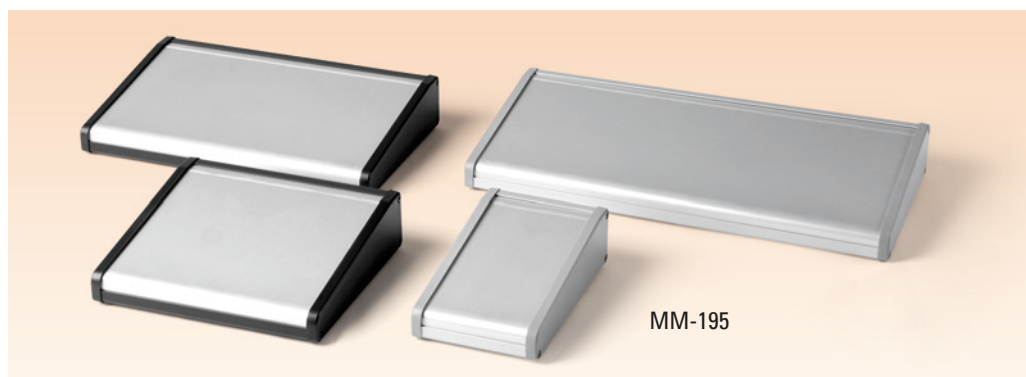
- MM-239 Metal Side Panel Option

MM-135 - MM-228 ve MM-255

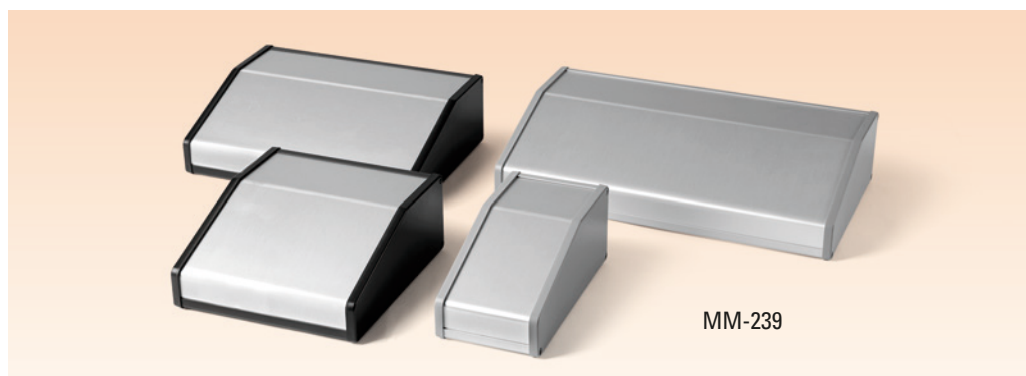
MATERIALS	ALUMINUM
BLACK	Black Electrostatic Coated Aluminum Profiles 3mm Black ESTB Aluminum Sheet Bottom and Top Panels 1,5 mm Black ESTB Aluminum Sheet Side Panels
NATURAL	Natural Anodized Aluminum Profiles 3 mm Natural Anodized Aluminum Sheet Bottom and 1,5 mm Natural Anodized Aluminum Sheet Side Panels

Code	W (A)	H (C)	L (B)
MM-195	192	100-150-200-300-400	57
MM-239	230	100-150-200-300-400	94
MM-135	132,5	60-100-150-200	132,5
MM-228	220	100-150-200-250	88,1
MM-255	250	120-150-200-250	43,65





MM-195-10	192 x 57 x 100 mm
MM-195-15	192 x 57 x 150 mm
MM-195-20	192 x 57 x 200 mm
MM-195-30	192 x 57 x 300 mm
MM-195-40	192 x 57 x 400 mm



MM-239-10	230 x 94 x 100 mm
MM-239-15	230 x 94 x 150 mm
MM-239-20	230 x 94 x 200 mm
MM-239-30	230 x 94 x 300 mm
MM-239-40	230 x 94 x 400 mm



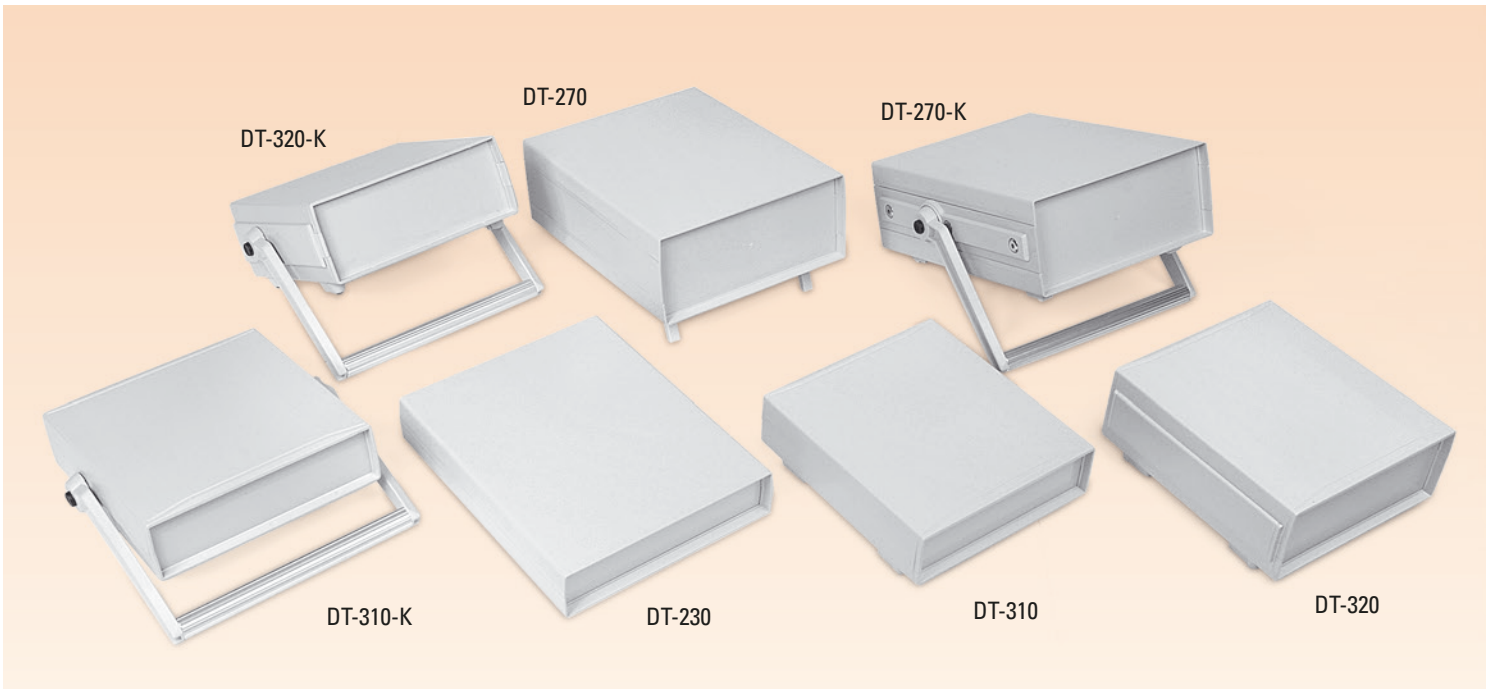
MM-135-6	132,5 x 132,5 x 60 mm
MM-135-10	132,5 x 132,5 x 100 mm
MM-135-15	132,5 x 132,5 x 150 mm
MM-135-20	132,5 x 132,5 x 200 mm



MM-228-10	220 x 88,1 x 100 mm
MM-228-15	220 x 88,1 x 150 mm
MM-228-20	220 x 88,1 x 200 mm
MM-228-25	220 x 88,1 x 250 mm



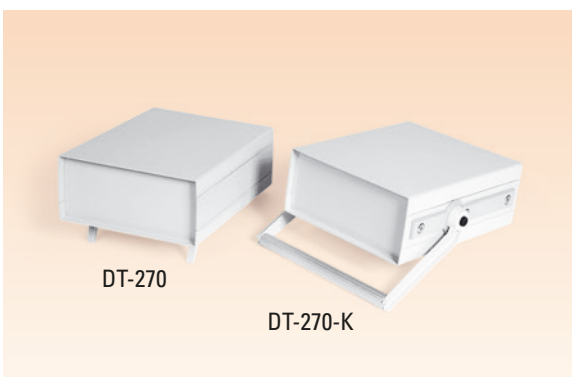
MM-255-12	250 x 43,65 x 120 mm
MM-255-15	250 x 43,65 x 150 mm
MM-255-20	250 x 43,65 x 200 mm
MM-255-25	250 x 43,65 x 250 mm



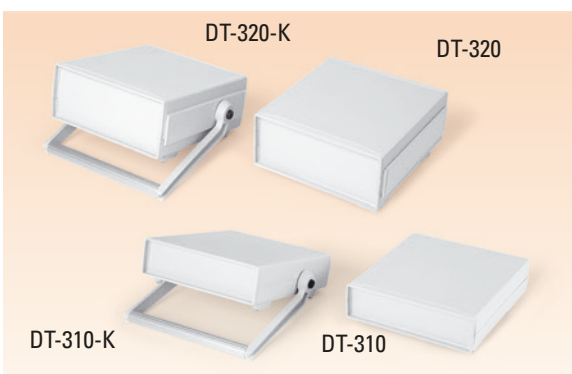
PLASTIC LABORATORY ENCLOSURES



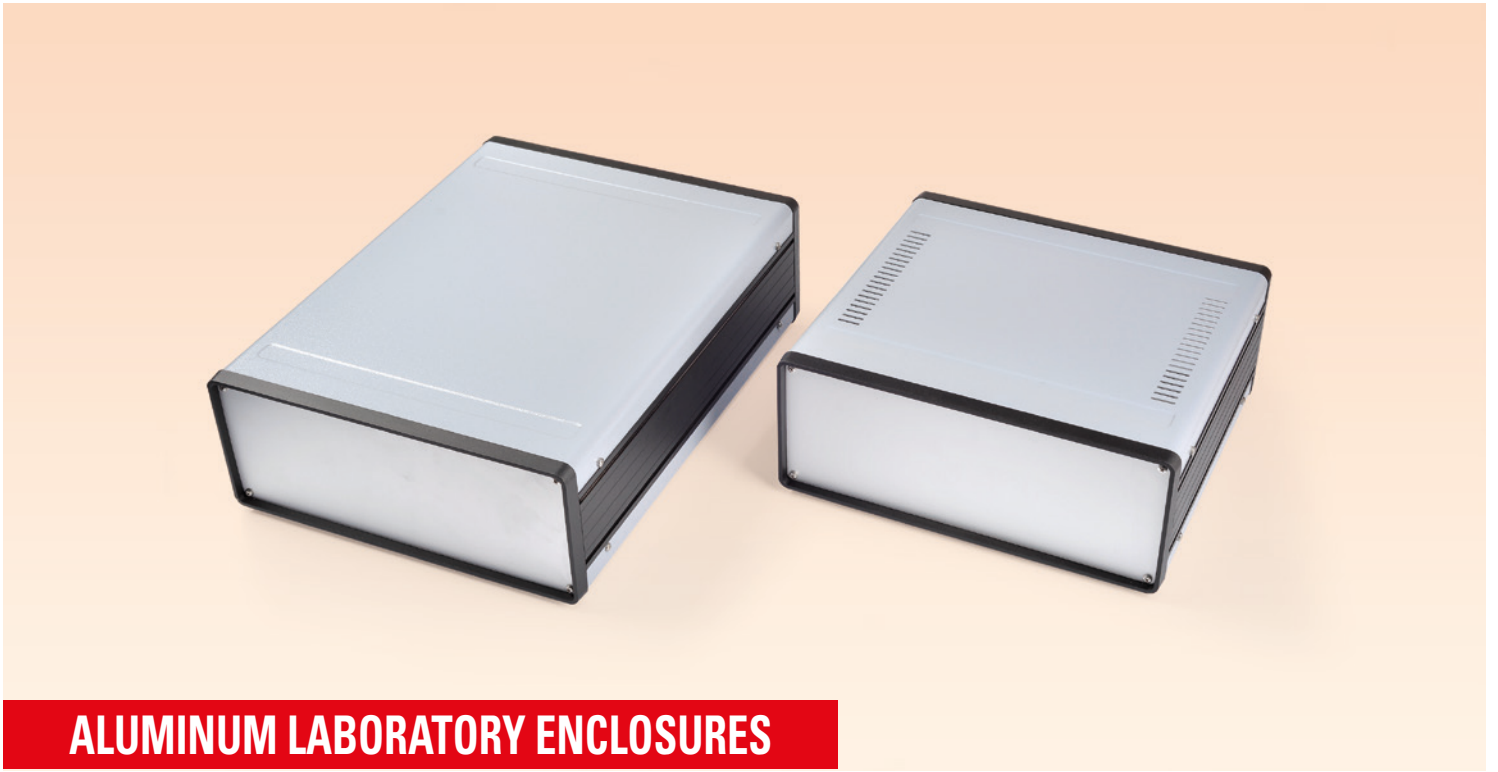
DT-230	228 x 285 x 52 mm	PLASTIC LABORATORY ENCLOSURES
MATERIAL	ABS	
COLOR	LIGHT GRAY	
PACKAGING	1 PCS/BOX	



DT-270	STANDARD 228 x 285 x 100 mm	PLASTIC LABORATORY ENCLOSURES
DT-270-K	W/ CARRY HANDLE	RELATED ACCESSORIES
MATERIAL	ABS	A-951 TILTING FOOT
COLOR	LIGHT GRAY	A-93 WIRE FOOT
PACKAGING	1 PCS/BOX	



DT-310	STANDARD 212 x 230 x 64 mm	PLASTIC LABORATORY ENCLOSURES	
DT-310-K	W/ CARRY HANDLE	MATERIAL	ABS
		COLOR	LIGHT GRAY
		PACKAGING	1 PCS/BOX
DT-320	STANDARD 220 x 230 x 87	RELATED ACCESSORIES	
DT-320-K	W/ CARRY HANDLE	A-951 TILTING FOOT	
		A-93 WIRE FOOT	



ALUMINUM LABORATORY ENCLOSURES

- Full metal design
- Aluminum injection frame
- Side panel aluminum profile
- Up and bottom covers are made of 1.5mm aluminum plate

- Front, back panels are made of 2mm aluminum plate
- Inside mounting plate is made of galvanized sheet metal
- Stainless inox screws
- New sizes are coming!

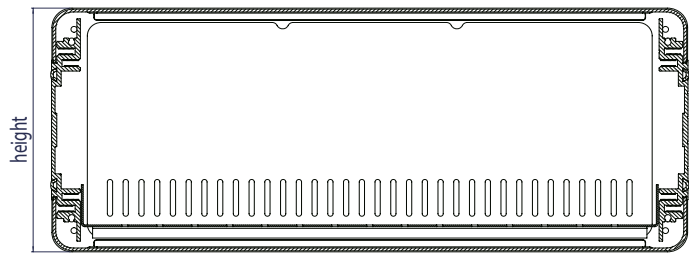
DT-550 364 x 333 x 146 mm

MATERIAL	ALUMINUM
COLOR	GRAY / BLACK
COATING	ELEKTROSTATIC POWDER COATING
PACKAGING	1 PCS/BOX

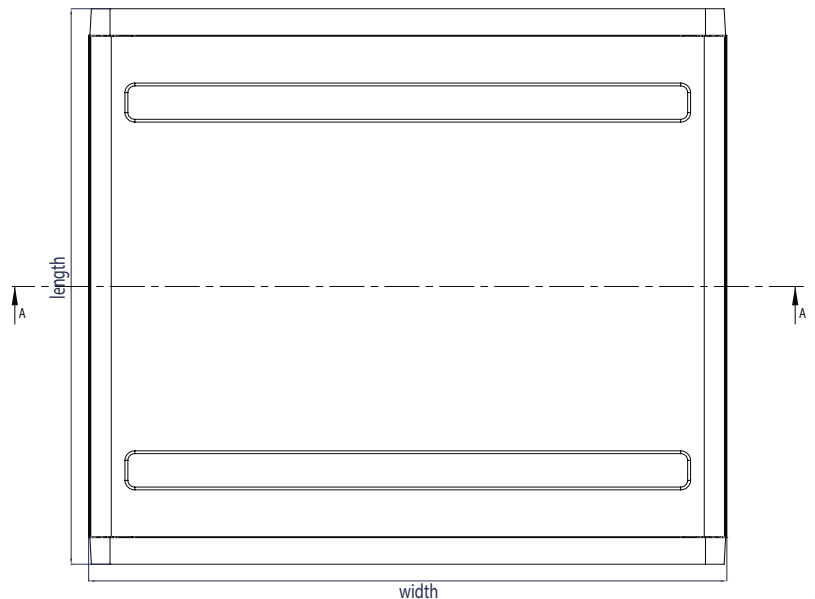
DT-552 364 x 482 x 146 mm

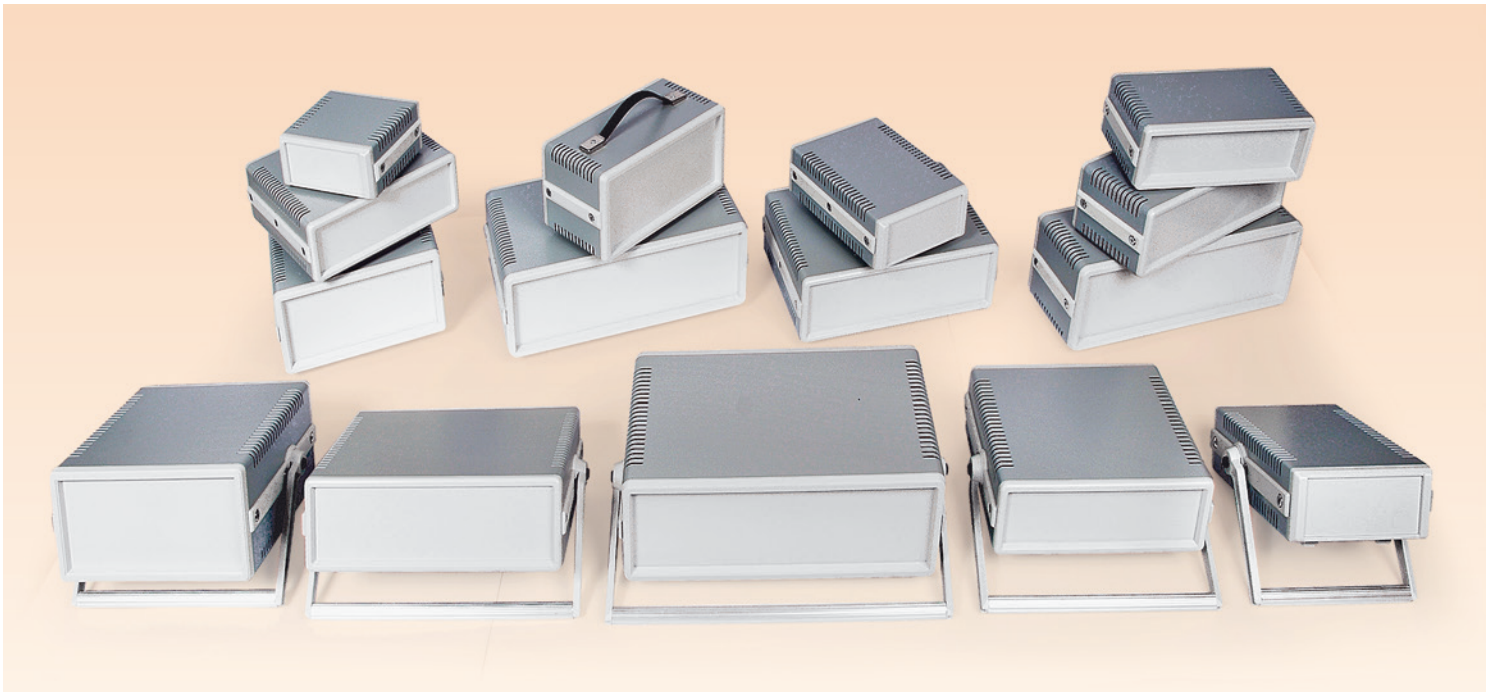
MATERIAL	ALUMINUM
COLOR	GRAY / BLACK
COATING	ELEKTROSTATIC POWDER COATING
PACKAGING	1 PCS/BOX

Code	W (A)	L (B)	H (C)
DT-550	364	333	146
DT-552	364	482	146



SECTION A-A

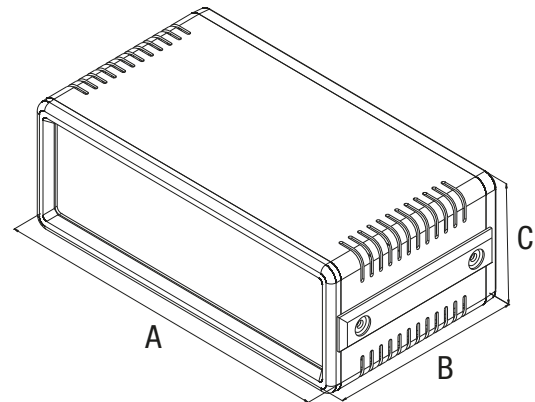




DESKTOP LABORATORY ENCLOSURES

- Hybrid design with plastic and metal components
- Plastic components manufactured high quality ABS
- Electrostatic powder painted 1.5 mm aluminum outer body
- Easy mounting option thanks to galvanized sheet metal with holes inside the enclosure
- Optional handles give 15 degree angle to the enclosure
- Optional folding feet provides angled stance
- Optional steel spring carrying handle eases carrying
- Used in laboratory, medical measurement and control systems, suitable for education sets, and power supplies
- Customer-specific panel cuts adapted for the requirements

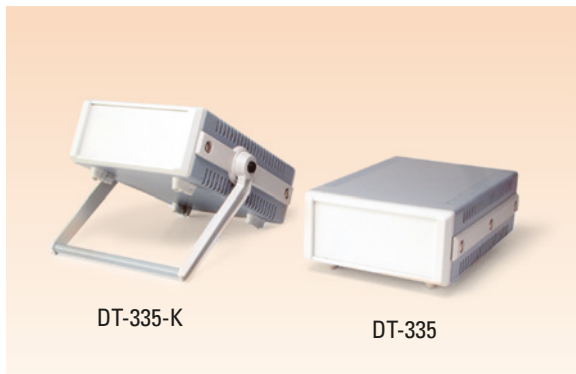
Code	W (A)	L (B)	H (C)	Carry Handle
DT-330	187	173	87	
DT-335	187	282	87	
DT-335-K	187	282	87	Available
DT-340	288	163	105	
DT-345	288	271	105	
DT-345-K	288	271	105	Available
DT-346	350	159	115	
DT-348	350	288	115	
DT-348-K	350	288	115	Available
DT-350	288	165	150	
DT-355	288	274	150	
DT-355-K	288	274	150	Available
DT-360	438	165	150	
DT-365	438	275	150	
DT-365-K	438	275	150	Available
DT-650	380	185,5	155,5	Available



METAL CARRY HANDLE
 A-97 185 mm AXIS RANGE
 A-98 132 mm AXIS RANGE



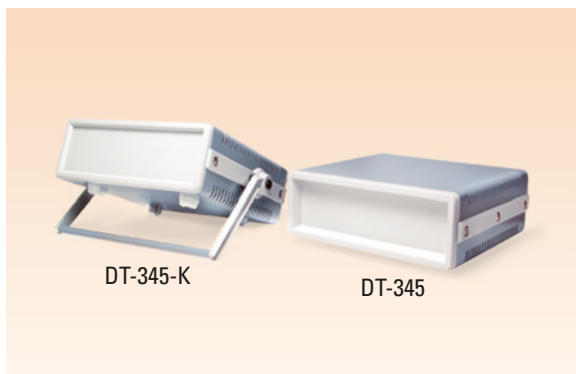
DT-330	187 x 173 x 87 mm	DESKTOP LABORATORY ENCLOSURES
MATERIAL		RELATED ACCESSORIES
PLASTICS	ABS	A-951 TILTING FOOT
BODY	ALUMINUM	A-98 CARRY HANDLE
COATING	ELECTROSTATIC POWDER COATING	
COLOR	LIGHT GRAY / DARK GRAY	
PACKAGING	1 PCS/BOX	



DT-335	STANDART 187 x 282 x 87 mm	DESKTOP LABORATORY ENCLOSURES
DT-335-K	W/ CARRY HANDLE	RELATED ACCESSORIES
MATERIAL		A-951 TILTING FOOT
PLASTICS	ABS	A-97 CARRY HANDLE
BODY	ALUMINUM	A-98 CARRY HANDLE
COATING	ELECTROSTATIC POWDER COATING	
COLOR	LIGHT GRAY / DARK GRAY	
PACKAGING	1 PCS/BOX	



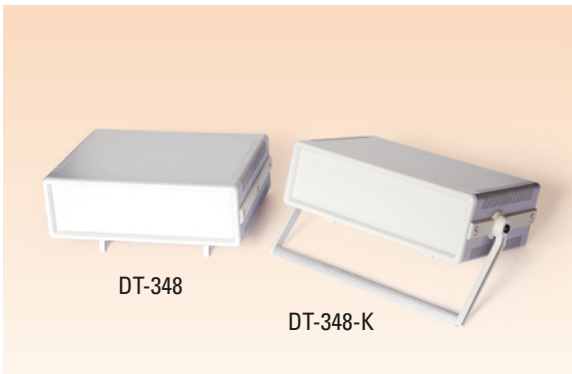
DT-340	288 x 163 x 105 mm	DESKTOP LABORATORY ENCLOSURES
MATERIAL		RELATED ACCESSORIES
PLASTICS	ABS	A-951 TILTING FOOT
BODY	ALUMINUM	A-97 CARRY HANDLE
COATING	ELECTROSTATIC POWDER COATING	A-98 CARRY HANDLE
COLOR	LIGHT GRAY / DARK GRAY	
PACKAGING	1 PCS/BOX	



DT-345	288 x 271 x 105 mm	DESKTOP LABORATORY ENCLOSURES
DT-345-K	W/ CARRY HANDLE	RELATED ACCESSORIES
MATERIAL		A-951 TILTING FOOT
PLASTICS	ABS	A-97 CARRY HANDLE
BODY	ALUMINUM	A-98 CARRY HANDLE
COATING	ELECTROSTATIC POWDER COATING	
COLOR	LIGHT GRAY / DARK GRAY	
PACKAGING	1 PCS/BOX	



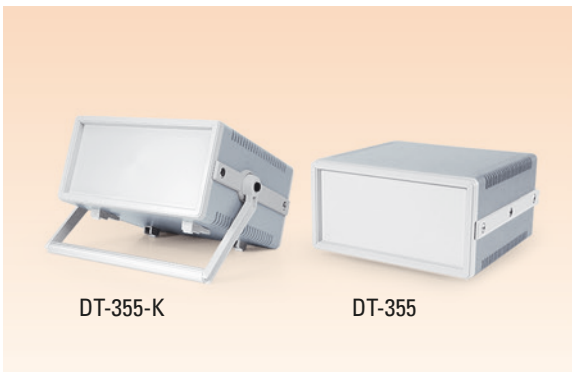
DT-346	350 x 159 x 115 mm	DESKTOP LABORATORY ENCLOSURES
MATERIAL		RELATED ACCESSORIES
PLASTICS	ABS	A-951 TILTING FOOT
BODY	ALUMINUM	A-97 CARRY HANDLE
COATING	ELECTROSTATIC POWDER COATING	A-98 CARRY HANDLE
COLOR	LIGHT GRAY / DARK GRAY	
PACKAGING	1 PCS/BOX	



DT-348	STANDARD 350 x 288 x 115 mm	DESKTOP LABORATORY ENCLOSURES
DT-348-K	W/ CARRY HANDLE	RELATED ACCESSORIES
MATERIAL		A-951 TILTING FOOT
PLASTICS	ABS	A-97 CARRY HANDLE
BODY	ALUMINUM	A-98 CARRY HANDLE
COATING	ELECTROSTATIC POWDER COATING	
COLOR	LIGHT GRAY / DARK GRAY	
PACKAGING	1 PCS/BOX	



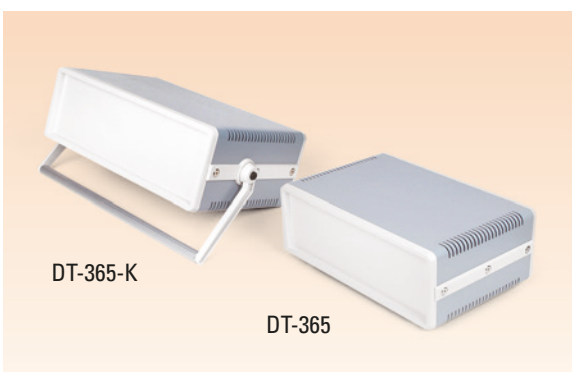
DT-350	STANDARD 288 x 165 x 150 mm	DESKTOP LABORATORY ENCLOSURES
MATERIAL		RELATED ACCESSORIES
PLASTICS	ABS	A-951 TILTING FOOT
BODY	ALUMINUM	A-97 CARRY HANDLE
COATING	ELECTROSTATIC POWDER COATING	A-98 CARRY HANDLE
COLOR	LIGHT GRAY / DARK GRAY	
PACKAGING	1 PCS/BOX	



DT-355	274 x 288 x 150 mm	DESKTOP LABORATORY ENCLOSURES
DT-355-K	W/ CARRY HANDLE	RELATED ACCESSORIES
MATERIAL		A-951 TILTING FOOT
PLASTICS	ABS	A-97 CARRY HANDLE
BODY	ALUMINUM	A-98 CARRY HANDLE
COATING	ELECTROSTATIC POWDER COATING	
COLOR	LIGHT GRAY / DARK GRAY	
PACKAGING	1 PCS/BOX	



DT-360	438 x 165 x 150 mm	DESKTOP LABORATORY ENCLOSURES
MATERIAL		RELATED ACCESSORIES
PLASTICS	ABS	A-951 TILTING FOOT
BODY	ALUMINUM	A-97 CARRY HANDLE
COATING	ELECTROSTATIC POWDER COATING	A-98 CARRY HANDLE
COLOR	LIGHT GRAY / DARK GRAY	
PACKAGING	1 PCS/BOX	



DT-365	STANDART 438 x 275 x 150 mm	DESKTOP LABORATORY ENCLOSURES
DT-365-K	W/ CARRY HANDLE	RELATED ACCESSORIES
MATERIAL		A-951 TILTING FOOT
PLASTICS	ABS	A-97 CARRY HANDLE
BODY	ALUMINUM	A-98 CARRY HANDLE
COATING	ELECTROSTATIC POWDER COATING	
COLOR	LIGHT GRAY / DARK GRAY	
PACKAGING	1 PCS/BOX	



DESKTOP LABORATORY ENCLOSURES

- 1 mm black painted aluminum plate body
- 1.5 mm aluminum anodized front and back panel
- 1 mm aluminum inside mounting plate
- New model A-104 steel sheet empowered handle
- New model A-952 folding feet
- Handle and frame with yellow and black color alternatives
- Plastic front and back frame in color hiding mounting screws v



DT-650	STANDARD 155,5 x 380 x 185,5 mm	DESKTOP LABORATORY ENCLOSURES
MATERIAL		RELATED ACCESSORIES
PLASTICS	ABS	A-952 TILTING FOOT
BODY	ALUMINUM	A-104 CARRY HANDLE
COLOR	YELLOW AND BLACK	
PACKAGING	1 PCS/BOX	



SLOPED LABORATORY ENCLOSURES

- Hybrid design consisted of plastic and metal components
- High quality plastic components manufactured in ABS material
- Electrostatic powder painted 1 mm DKP sheet metal outer body
- Easy mounting opportunity inside the enclosure with galvanized sheet metal with holes

- Angled stance thanks to optional folding feet
- Suitable for laboratory, medical measurement, measurement and control, power supply and education sets
- Easy carriage with optional steel spring handle
- Customization with the CNC cutting on the panel according to the project's requirements.

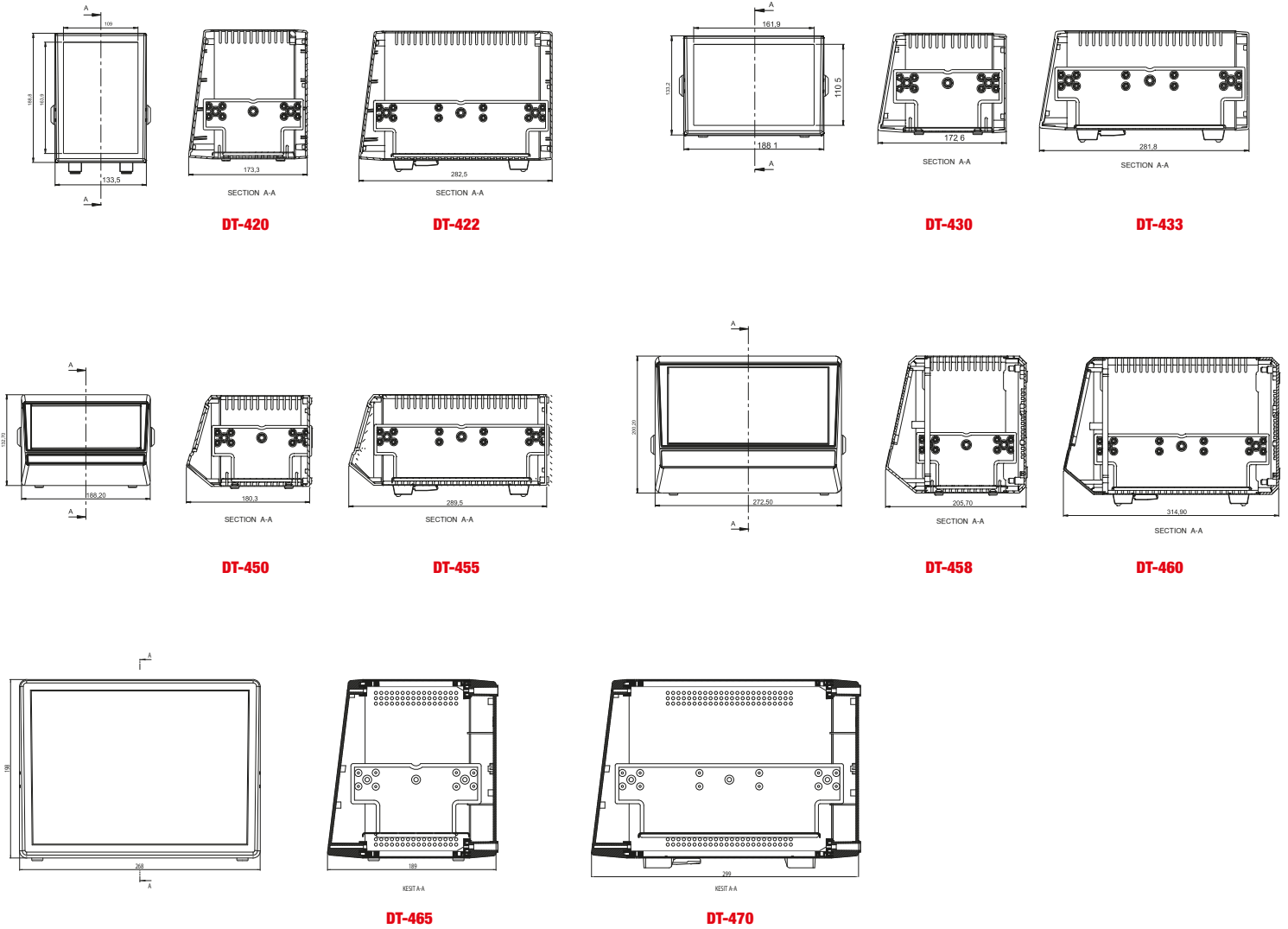


METAL CARRY HANDLE

A-97 185 mm AXIS RANGE

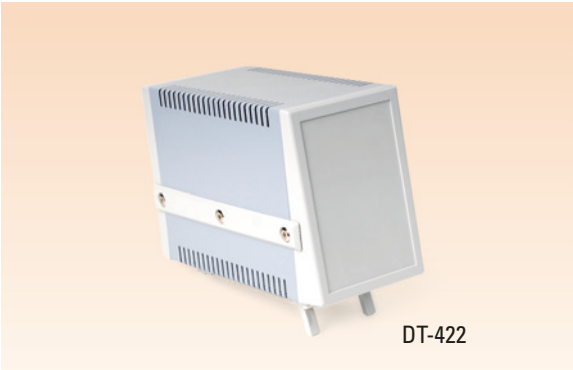
A-98 132 mm AXIS RANGE

Code	W (A)	L (B)	H (C)
DT-460	273	315	201
DT-458	273	206	201
DT-455	189	290	133
DT-450	189	181	133
DT-433	188	282	134
DT-430	188	173	134
DT-428	188	124	134
DT-422	134	283	189
DT-420	134	173	189
DT-465	268	198	190
DT-470	268	198	300



DT-420 134 x 173 x 189 mm **SLOPED LABORATORY ENCLOSURES**

MATERIAL	
PLASTICS	ABS
BODY	SHEET METAL
COATING	ELECTROSTATIC POWDER COATING
COLOR	GRAY
PACKAGING	1 PCS/BOX



DT-422 134 x 283 x 189 mm **SLOPED LABORATORY ENCLOSURES**

MATERIAL	
PLASTICS	ABS
BODY	SHEET METAL
COATING	ELECTROSTATIC POWDER COATING
COLOR	GRAY
PACKAGING	1 PCS/BOX



DT-428

DT-428

188 x 124 x 134 mm

SLOPED LABORATORY ENCLOSURES

MATERIAL	
PLASTICS	ABS
BODY	SHEET METAL
COATING	ELECTROSTATIC POWDER COATING
COLOR	GRAY
PACKAGING	1 PCS/BOX



DT-430

DT-430

188 x 173 x 134 mm

SLOPED LABORATORY ENCLOSURES

MATERIAL	
PLASTICS	ABS
BODY	SHEET METAL
COATING	ELECTROSTATIC POWDER COATING
COLOR	GRAY
PACKAGING	1 PCS/BOX



DT-433

DT-433

188 x 282 x 134 mm

SLOPED LABORATORY ENCLOSURES

MATERIAL	
PLASTICS	ABS
BODY	SHEET METAL
COATING	ELECTROSTATIC POWDER COATING
COLOR	GRAY
PACKAGING	1 PCS/BOX



DT-450

DT-450

189 x 181 x 133 mm

SLOPED LABORATORY ENCLOSURES

MATERIAL	
PLASTICS	ABS
BODY	SHEET METAL
COATING	ELECTROSTATIC POWDER COATING
COLOR	GRAY
PACKAGING	1 PCS/BOX



DT-455

DT-455

189 x 290 x 133 mm

SLOPED LABORATORY ENCLOSURES

MATERIAL	
PLASTICS	ABS
BODY	SHEET METAL
COATING	ELECTROSTATIC POWDER COATING
COLOR	GRAY
PACKAGING	1 PCS/BOX



DT-458

273 x 206 x 201 mm

SLOPED LABORATORY ENCLOSURES

MATERIAL	
PLASTICS	ABS
BODY	SHEET METAL
COATING	ELECTROSTATIC POWDER COATING
COLOR	GRAY
PACKAGING	1 PCS/BOX



DT-460

273 x 315 x 201 mm

SLOPED LABORATORY ENCLOSURES

MATERIAL	
PLASTICS	ABS
BODY	SHEET METAL
COATING	ELECTROSTATIC POWDER COATING
COLOR	GRAY
PACKAGING	1 PCS/BOX



DT-465

198 x 268 x 190 mm

SLOPED LABORATORY ENCLOSURES

MATERIAL	
PLASTIC	ABS
BODY	1,5 mm ALUMINUM
COLOR	BLACK
PACKAGING	1 PCS/BOX



DT-470

198 x 268 x 300 mm

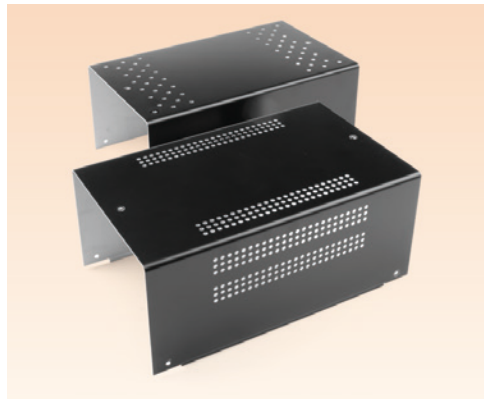
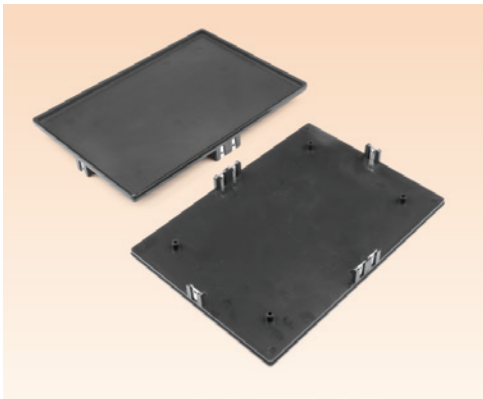
SLOPED LABORATORY ENCLOSURES

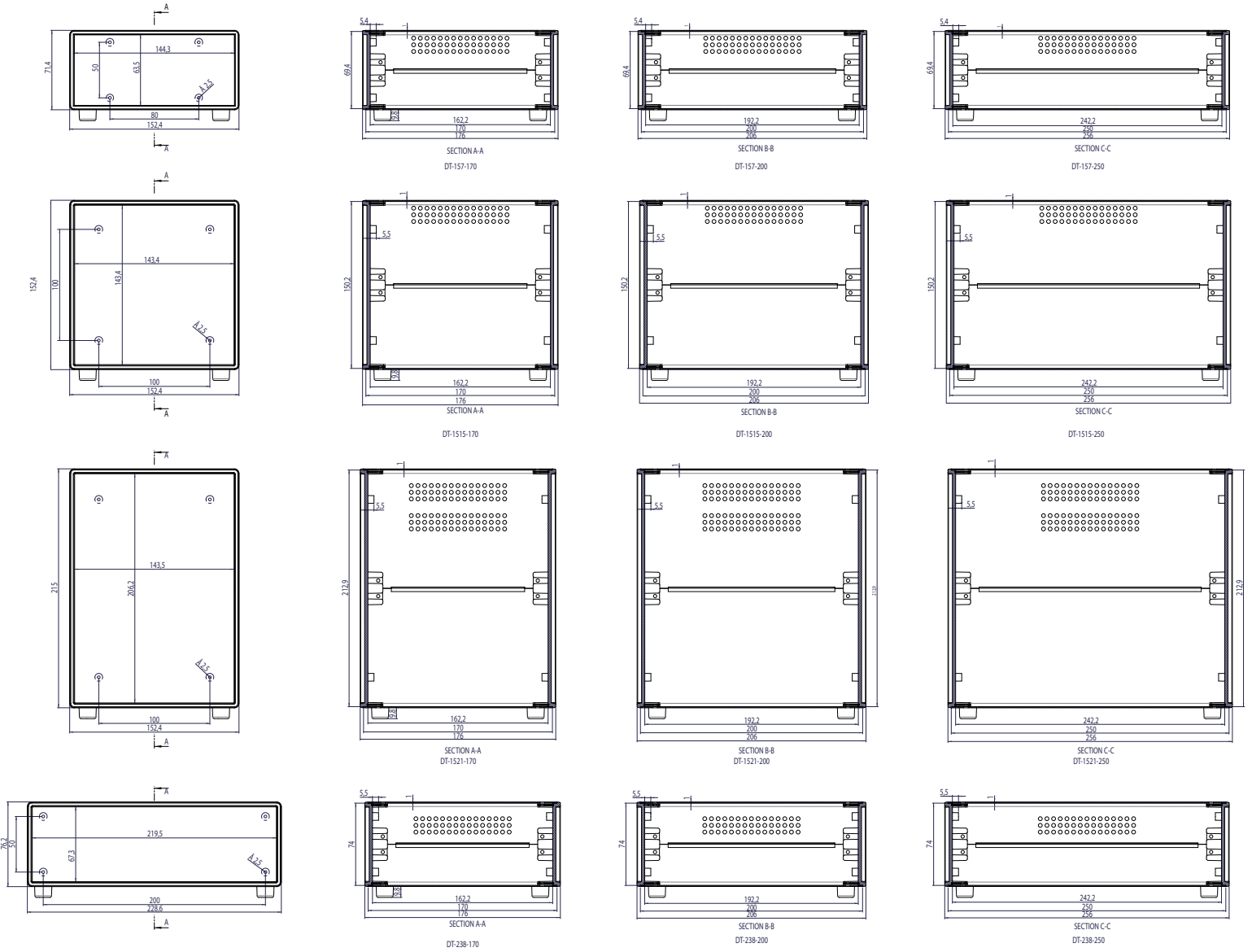
MATERIAL	
PLASTIC	ABS
BODY	1,5 mm ALUMINUM
COLOR	BLACK
PACKAGING	1 PCS/BOX



ALUMINUM PROJECT ENCLOSURES

- Classic simple design
- 1 mm body made of aluminum sheet
- Outer side is glossy painted sheet and protective filmed, inner side gray primer painted
- Plastic front and back panels
- With 4 different panel sizes and 3 depth options, 12 stock length



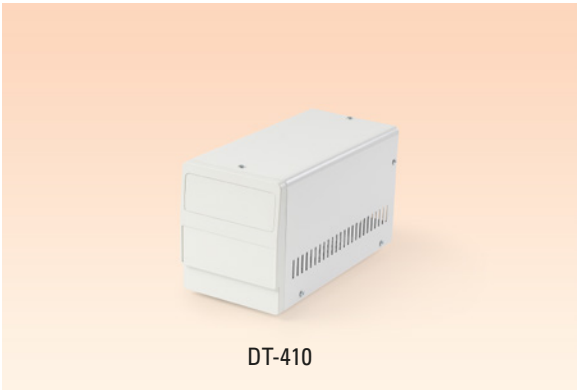


Code	W (A)	L (B)	H (C)
DT-157-170	152	170	71
DT-157-200	152	200	71
DT-157-250	152	250	71
DT-1515-170	152	170	152
DT-1515-200	152	200	152
DT-1515-250	152	250	152
DT-1521-170	152	170	215
DT-1521-200	152	200	215
DT-1521-250	152	250	215
DT-238-170	228	170	76
DT-238-200	228	200	76
DT-238-250	228	250	76





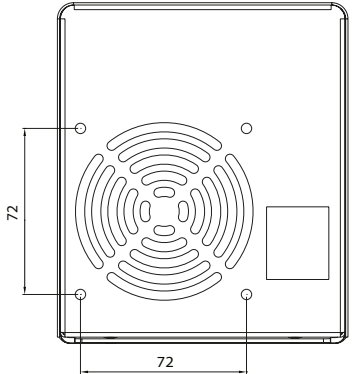
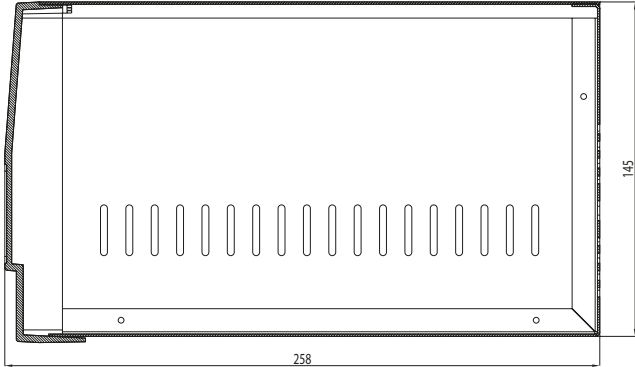
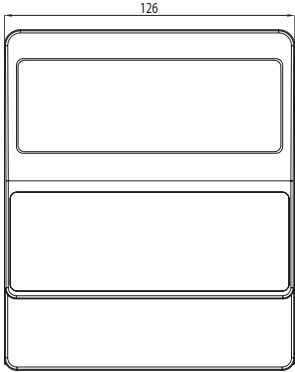
LABORATORY POWER SUPPLY ENCLOSURE



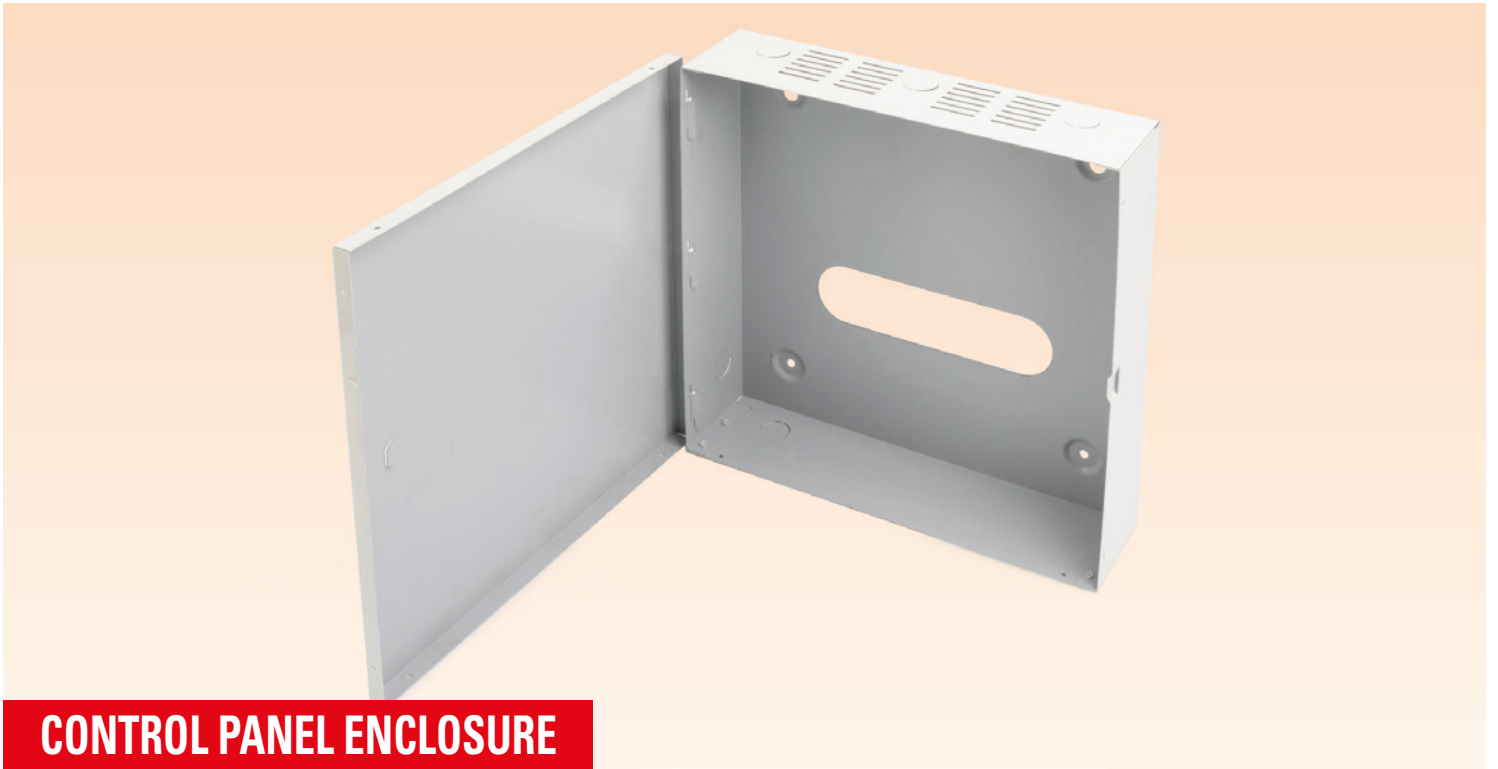
DT-410 126 x 258 x 145 mm **LABORATORY POWER SUPPLY ENCLOSURE**

DT-410-K	CLOSED SCREEN PANEL
DT-410-A	OPEN SCREEN PANEL
MATERIAL	1 mm SHEET METAL
PANEL	ABS
COLOR	RAL 7035 LIGHT GRAY
PACKAGING	1 PCS/BOX

- Ready-made holes for power input and fan.



METAL CARRY HANDLE
 A-97 185 mm AXIS RANGE
 A-98 132 mm AXIS RANGE



CONTROL PANEL ENCLOSURE

- Made of painted aluminum sheet
- Outer side is glossy painted sheet and protective filmed, inner side gray primer painted
- 1 mm (black) and 0,9 mm (white) sheet thickness
- Weldless clamped joints
- Ready-made holes for cable entry on the sides
- Lid can be closed by screw or lock
- Openable ready-made design for locking the door
- Self-bent hinge on top cover
- Raised feet for wall mounting
- Special opening for cable entry through the wall
- Production technique that can quickly meet high-volume orders
- Special size can be manufactured for a MOQ



CP-3030-7

300 x 300 x 78 mm

CONTROL PANEL ENCLOSURE

MATERIAL	ALUMINUM
COLOR	WHITE / BLACK
PACKAGING	1 PCS/BOX



PC-278

275 x 230 x 81 mm

PLASTIC CASES

MATERIAL	PP
COLOR	RED / BLACK / BLUE
PACKAGING	12 PCS/BOX

PC-278



PC-460

337 x 275 x 83 mm

PLASTIC CASES

MATERIAL	PP
COLOR	RED / BLACK / BLUE
PACKAGING	12 PCS/BOX

PC-460



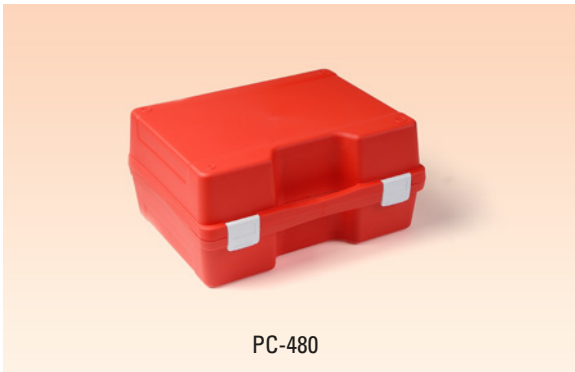
PC-470

337 x 275 x 124 mm

PLASTIC CASES

MATERIAL	PP
COLOR	RED / BLACK / BLUE
PACKAGING	8 PCS/BOX

PC-470



PC-480

337 x 275 x 165 mm

PLASTIC CASES

MATERIAL	PP
COLOR	RED / BLACK / BLUE
PACKAGING	6 PCS/BOX



PC-580

450 x 360 x 141 mm

PLASTIC CASES

MATERIAL	PP
COLOR	RED / BLACK / BLUE
PACKAGING	6 PCS/BOX



MC-1118

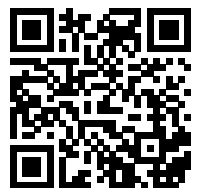
110,7 x 178 x 50 mm

PLASTIC CASES

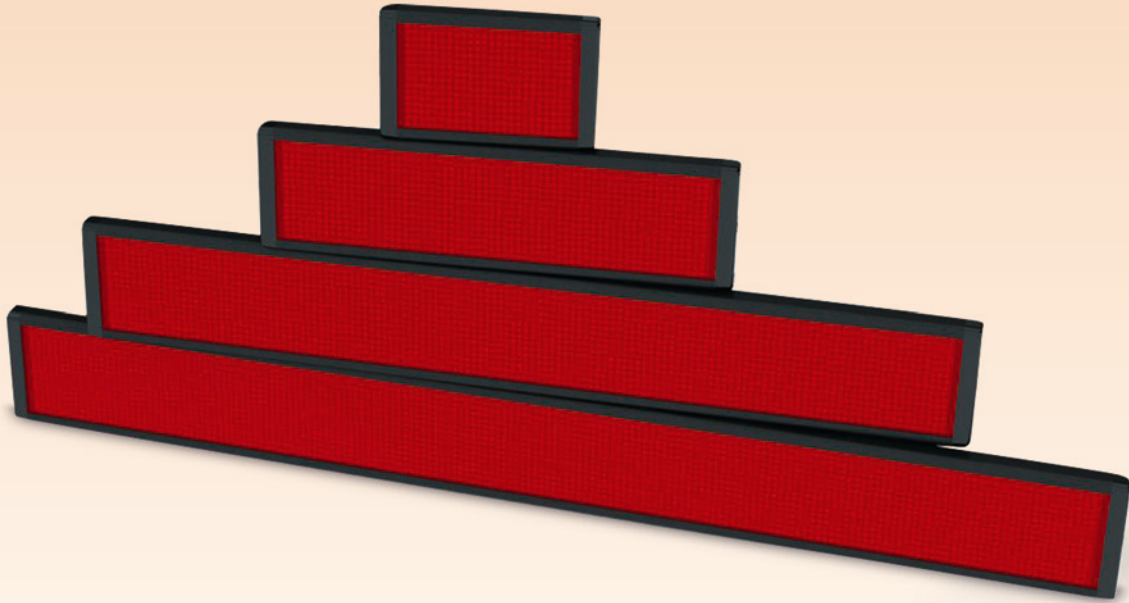
MATERIAL	PC
COLOR	CLEAR
PACKAGING	1 PCS/BOX



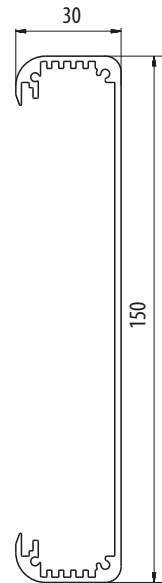
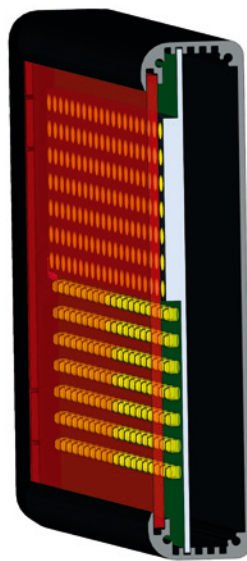
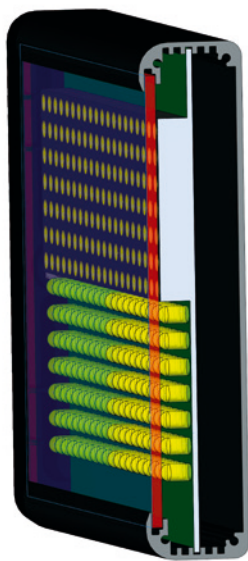
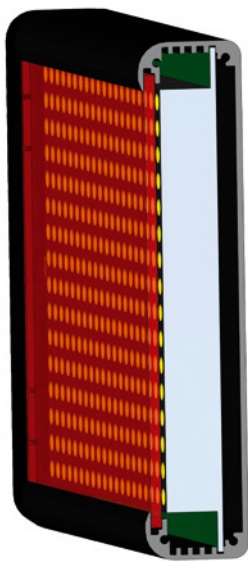
Perforated Sponge



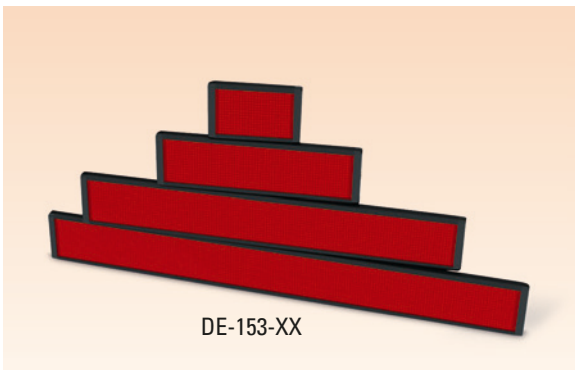
Youtube Video



PROFILE DISPLAY ENCLOSURES



CARD RAILS DESIGNED FOR DIFFERENT LED AND 7-SEGMENT HEIGHTS AVAILABLE.



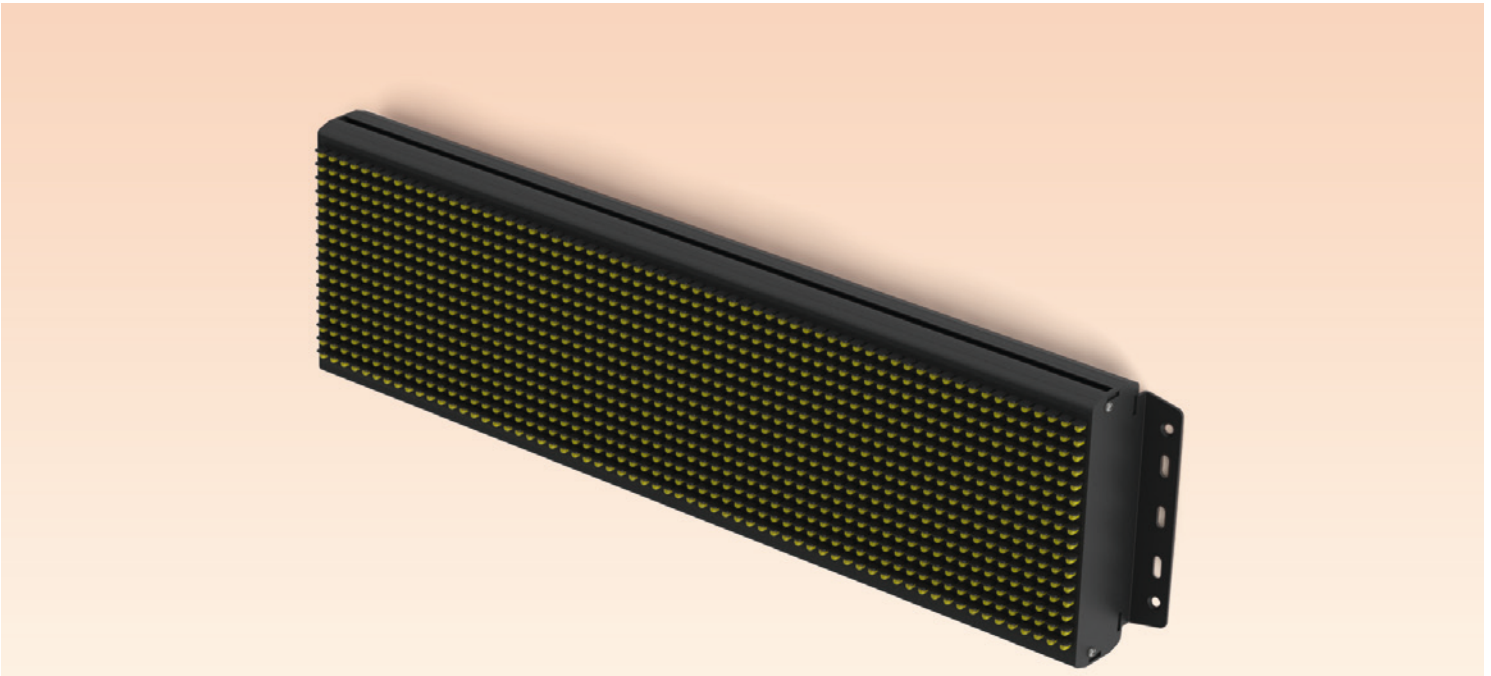
DE-153-XX

150 x 30 x (CUSTOM SIZE) mm

ALUMINUM PROFILE ENCLOSURES

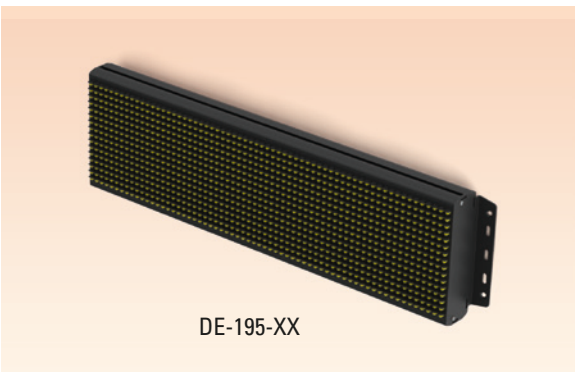
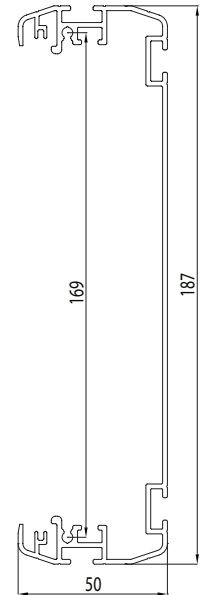
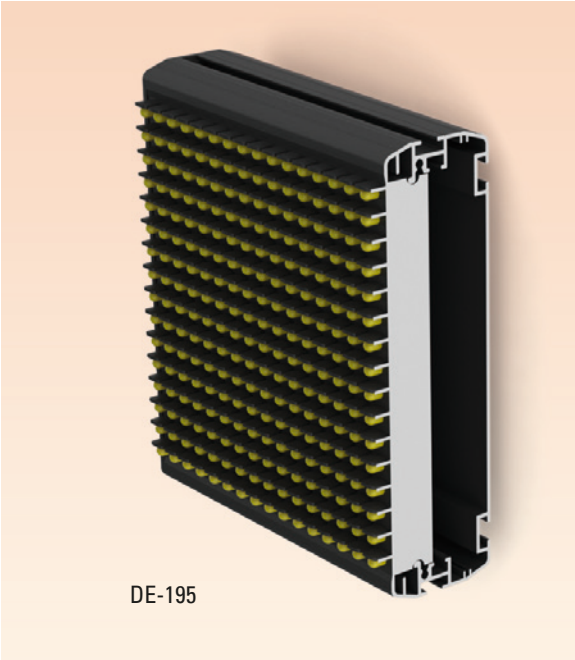
MATERIAL	ALUMINUM 6063
COLOR	BLACK / WHITE
COATING	ELECTROSTATIC MATTE COATING
PLASTIC PANELS	BLACK

*DE-153 PROFILE LENGTH CAN CHANGE BETWEEN 40 MM AND 3 M.



P10 PANEL DISPLAY ENCLOSURES

- Designed especially for P10 led modules
- Fast mounting option
- Durable structure
- Stainless lid screws



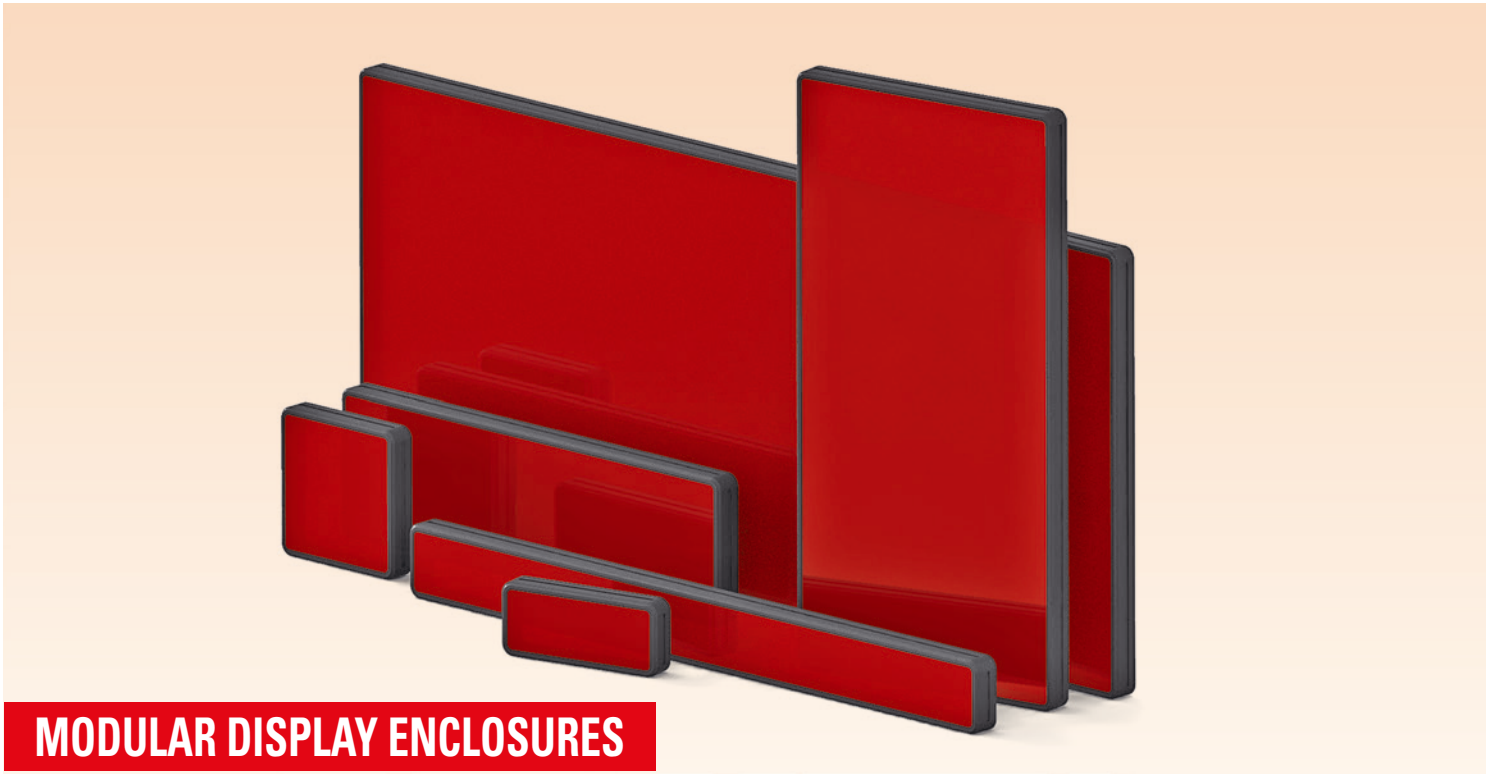
DE-195-XX

187 x 50 x (CUSTOM SIZE) mm

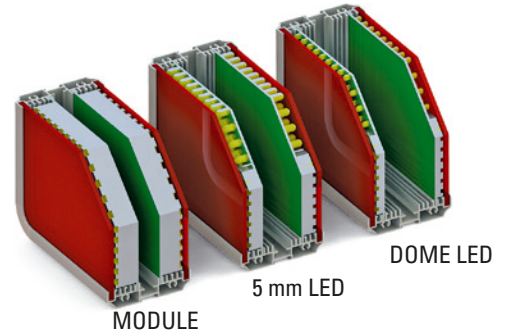
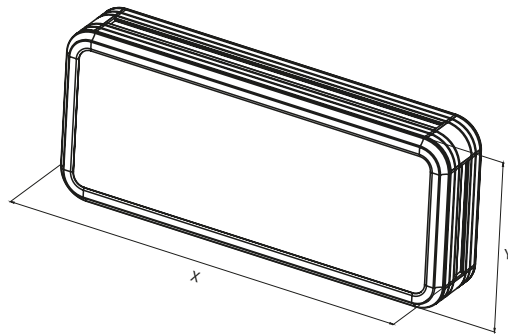
P 10 PANEL DISPLAY ENCLOSURES

MATERIAL	ALUMINUM 6063
COLOR	BLACK
COATING	ELECTROSTATIC COATING
PANELS	2,5 mm ALUMINUM FLANGED PANEL FLAT PANEL

*DE-195 PROFILE LENGTH CAN CHANGE BETWEEN 40 MM AND 3 M.



MODULAR DISPLAY ENCLOSURES



CARD RAILS DESIGNED FOR DIFFERENT LED AND 7-SEGMENT HEIGHTS AVAILABLE.



DE-060-X-Y

X-Y-6 cm

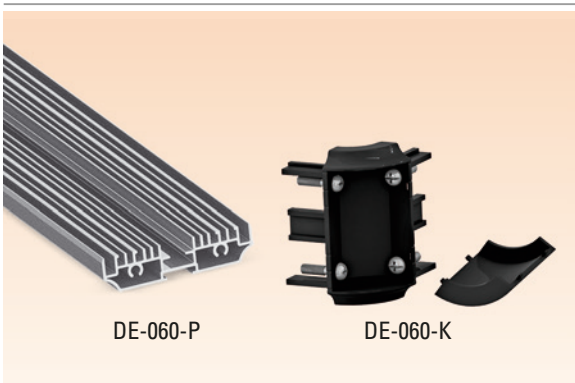
MODULAR DISPLAY ENCLOSURES

PANEL OPTIONS

RED SATIN (GLOSSY/FROSTED)
 RED GLOSSY (GLOSSY/ GLOSSY)
 SMOKED GLOSSY

MATERIAL	ALUMINUM 6063
COLOR	BLACK / WHITE / NATURAL ANODIZED
COATING	ELECTROSTATIC ANODIZED COATING

* DE-060-X-Y PROFILE LENGTH CAN CHANGE BETWEEN 10CM AND 2M.



DE-060-P-X

PROFILE
 6 x 1,5 x X cm

MODULAR DISPLAY ENCLOSURES

DE-060-K

BRACKET SET

DE-060L

ALUMINUM CORNER

DE-060-P PROFILE

MATERIAL	ALUMINUM 6063
COLOR	BLACK / WHITE / NATURAL ANODIZED

DE-060-K BRACKET SET

MATERIAL	ABS
COLOR	BLACK / WHITE
SCREWS	4 PIECES M4 x 16 COMBI STAINLESS SCREWS

* DE-060-P-X PROFILE LENGTH CAN CHANGE BETWEEN 4CM AND 3M.



DISPLAY ENCLOSURES



MOUNTING KIT

A-954

25 x 50 x 97 mm

ANGLED FOOT KIT

COLOR DARK GRAY / BLACK

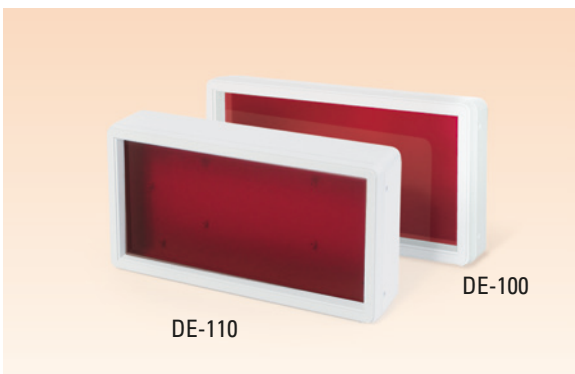
SUITABLE ENCLOSURES

DE-120

DE-130

DE-150

DE-153



DE-110

DE-100

DE-100

288 x 150 x 36 mm

DISPLAY ENCLOSURES

DE-110

288 x 150 x 56 mm

PANEL OPTIONS

RED SATIN / GLOSSY RED / GRAY

RELATED ACCESSORIES

A-58 WALL MOUNT WITH NAILS

MATERIAL

BODY ABS

PANEL PLEXIGLASS

COLOR GRAY / BLACK

PACKAGING 1 PCS/BOX



DE-115

DE-115

350 x 115 x 50 mm

DISPLAY ENCLOSURES

MATERIAL

BODY ABS

PANEL PLEXIGLASS

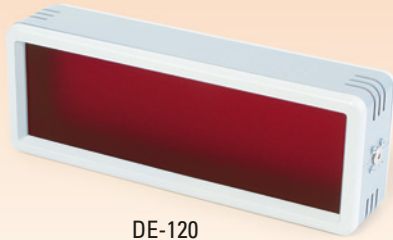
COLOR GRAY / BLACK

PACKAGING 10 PCS/BOX

PANEL OPTIONS

RED SATIN (GLOSSY/FROSTED)

RED GLOSSY (GLOSSY/ GLOSSY)



DE-120

DE-120

DOUBLE SIDED
288 x 103 x 68 mm

DISPLAY ENCLOSURES

MATERIAL	
BODY	ALUMINUM
FRAME	ABS
COLOR	GRAY
PANEL	PLEXIGLASS
PACKAGING	10 PCS/BOX

PANEL OPTIONS

RED SATIN / GLOSSY RED



DE-130

DE-130

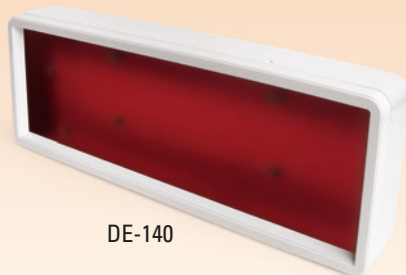
DOUBLE SIDED
288 x 150 x 73 mm

DISPLAY ENCLOSURES

MATERIAL	
BODY	ALUMINUM
FRAME	ABS
COLOR	GRAY
PANEL	PLEXIGLASS
PACKAGING	10 PCS/BOX

PANEL OPTIONS

RED SATIN / GLOSSY RED



DE-140

DE-140

430 x 150 x 60 mm

DISPLAY ENCLOSURES

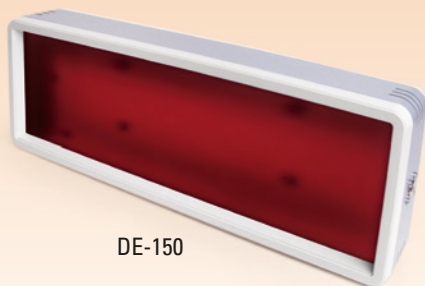
MATERIAL	
BODY	ABS
COLOR	GRAY / BLACK
PANEL	PLEXIGLASS
PACKAGING	10 PCS/BOX

RELATED ACCESSORIES

A-58 WALL MOUNT WITH NAILS

PANEL OPTIONS

RED SATIN / GLOSSY RED



DE-150

DE-150

DOUBLE SIDED
430 x 150 x 74 mm

DISPLAY ENCLOSURES

MATERIAL	
BODY	ALUMINUM
FRAME	ABS
COLOR	GRAY
PANEL	PLEXIGLASS
PACKAGING	10 PCS/BOX

RELATED ACCESSORIES

A-58 WALL MOUNT WITH NAILS

PANEL OPTIONS

RED SATIN / GLOSSY RED



DE-170

DE-170

570 x 150 x 60 mm

DISPLAY ENCLOSURES

MATERIAL	
BODY	ABS
COLOR	GRAY / BLACK
PANEL	PLEXIGLASS
PACKAGING	10 PCS/BOX

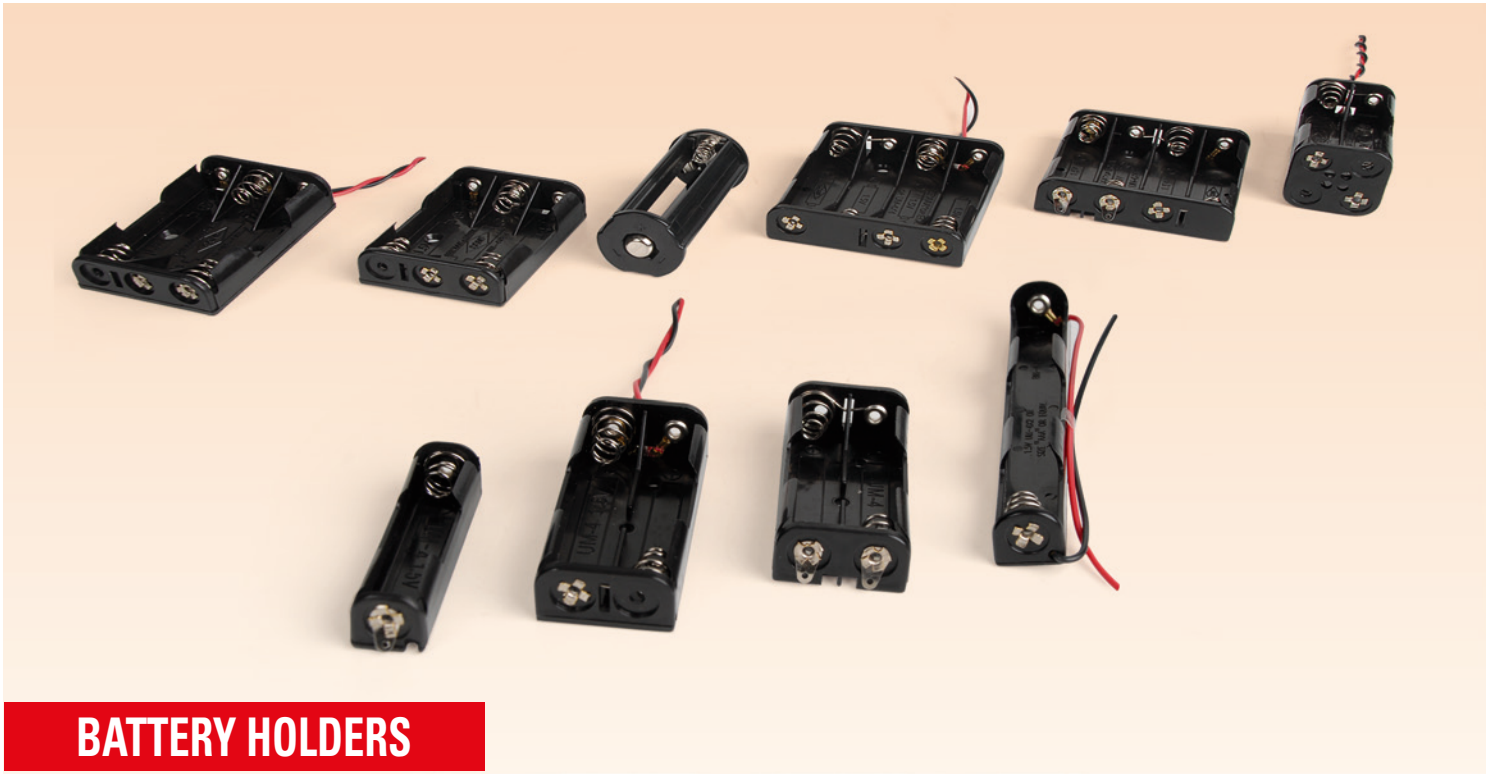
PANEL OPTIONS

RED SATIN (GLOSSY/FROSTED)

RED GLOSSY (GLOSSY/ GLOSSY)

RELATED ACCESSORIES

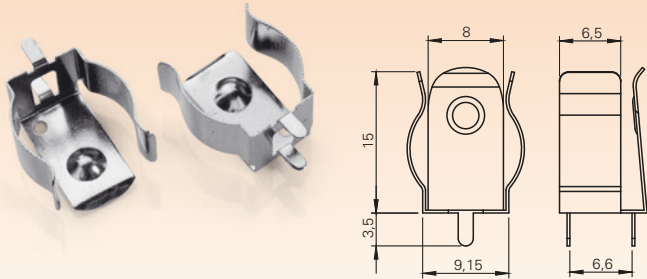
A-58 WALL MOUNT WITH NAILS



BATTERY HOLDERS

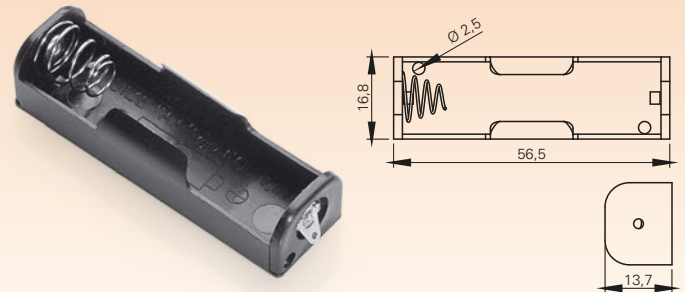
BC-0301

PCP CONTACT SUITABLE FOR AA SIZE



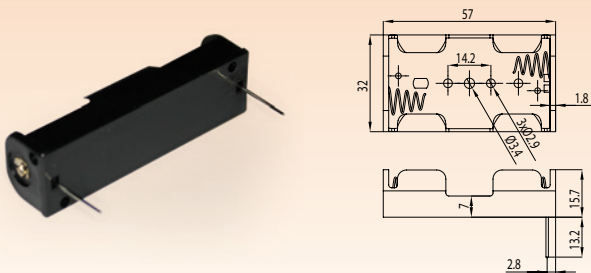
BH-311-1D

1 PC AA SIZE BATTERY HOLDER



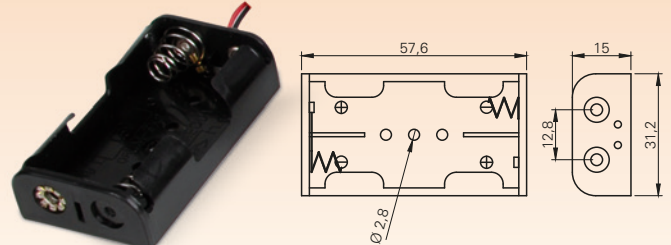
BH-311-1P24

1 PC AA SIZE BATTERY HOLDER



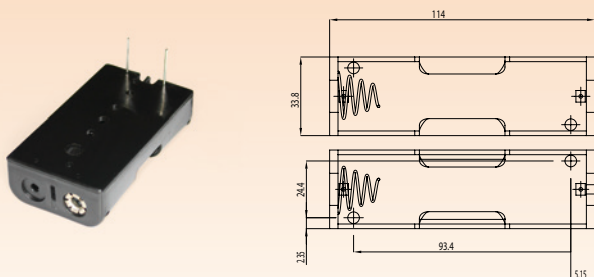
BH-321-1A

2 PCS AA SIZE BATTERY HOLDER



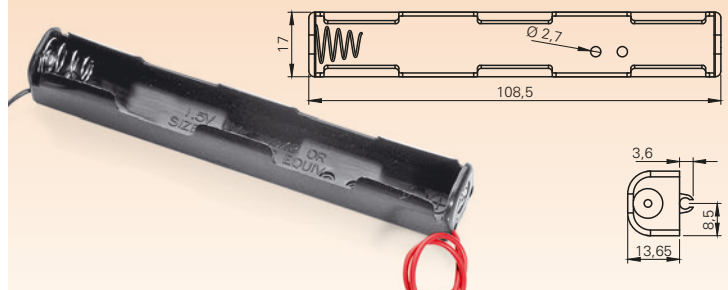
BH-321-1P24

2 PCS AA SIZE BATTERY HOLDER



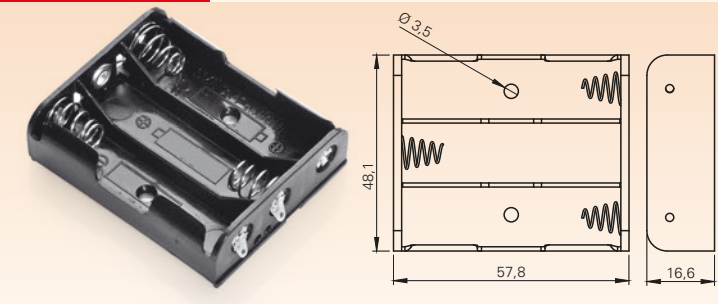
BH-325-1A

2 PCS AA SIZE BATTERY HOLDER



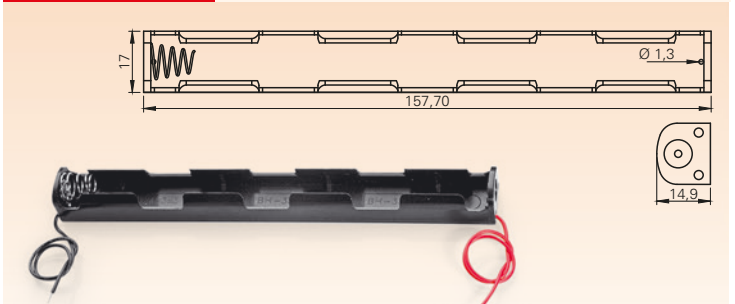
BH-331-1D

3 PCS AA SIZE BATTERY HOLDER



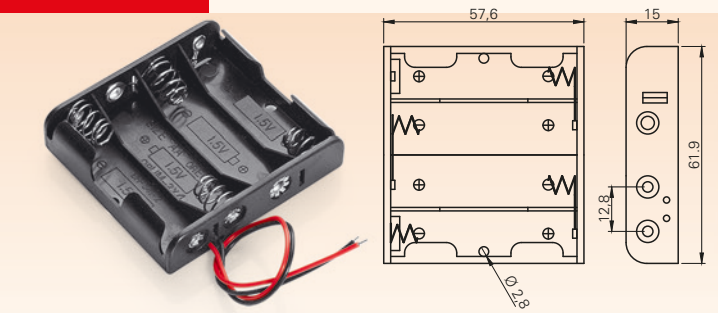
BH-333-A

3 PCS AA SIZE BATTERY HOLDER



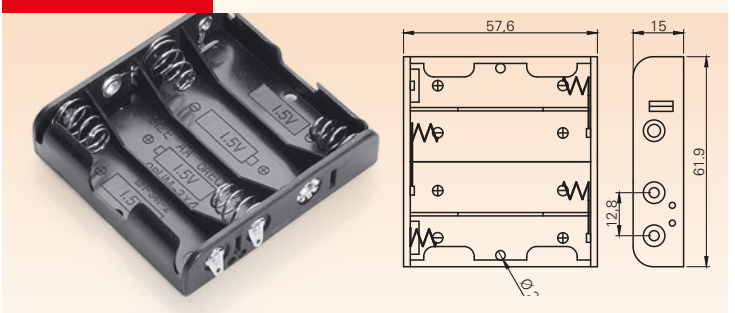
BH-341-2A

4 PCS AA SIZE BATTERY HOLDER



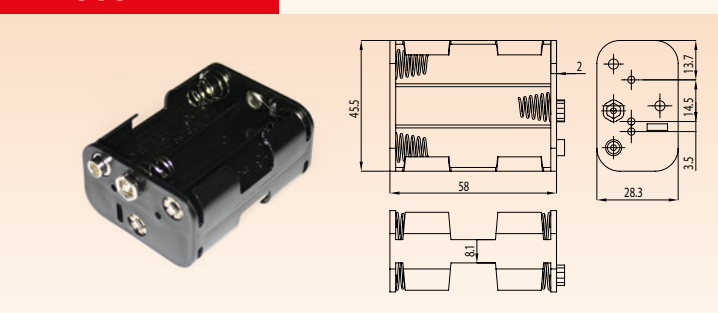
BH-341-2D

4 PCS AA SIZE BATTERY HOLDER



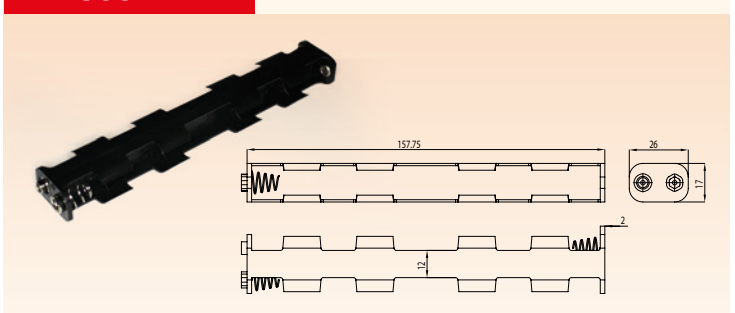
BH-363-B

6 PCS AA SIZE BATTERY HOLDER



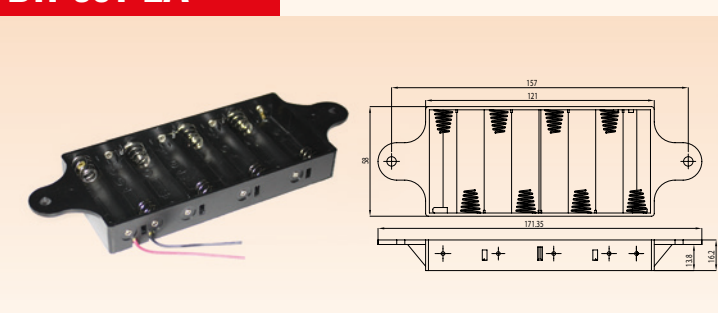
BH-365-B

6 PCS AA SIZE BATTERY HOLDER



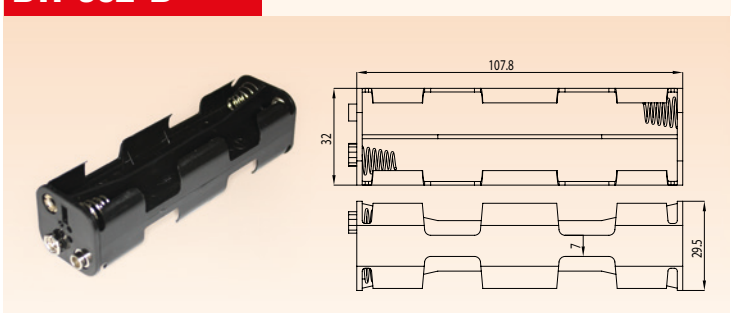
BH-381-2A

8 PCS AA SIZE BATTERY HOLDER



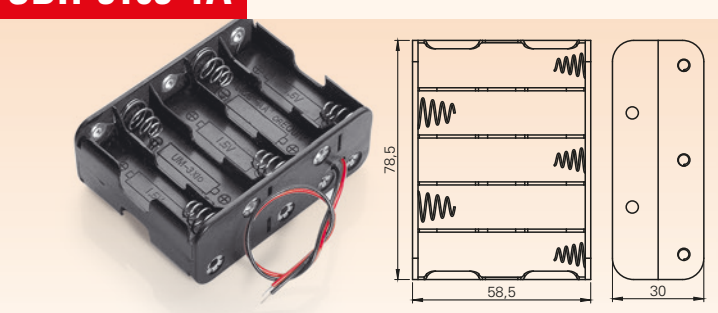
BH-382-B

8 PCS AA SIZE BATTERY HOLDER



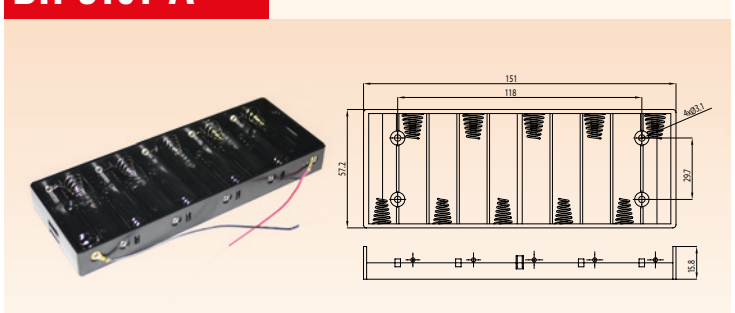
SBH-3103-1A

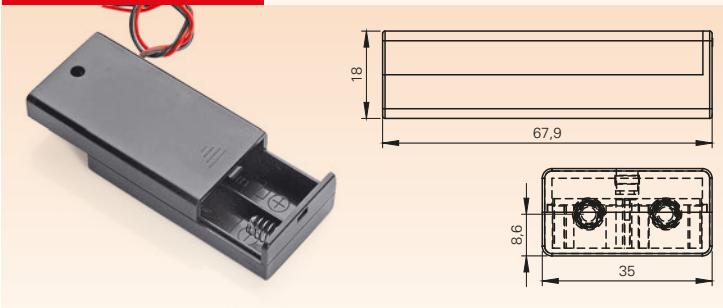
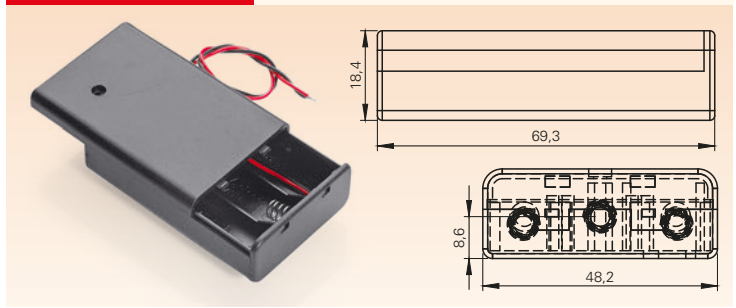
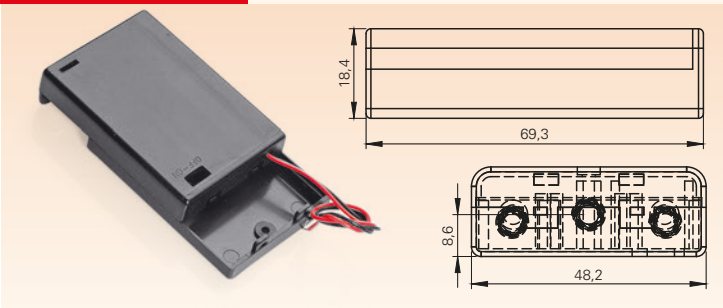
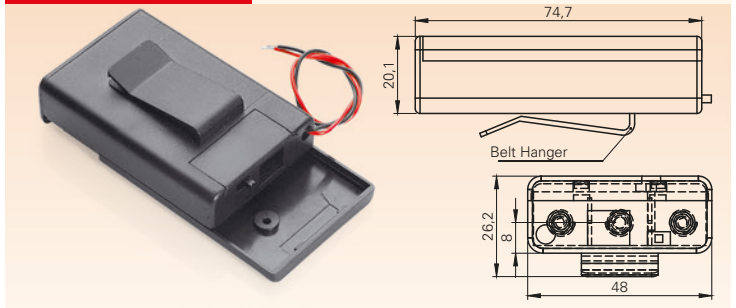
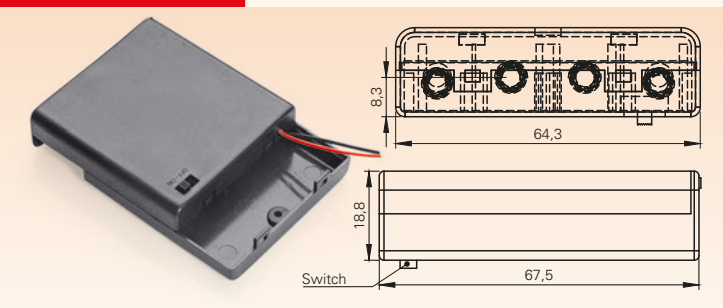
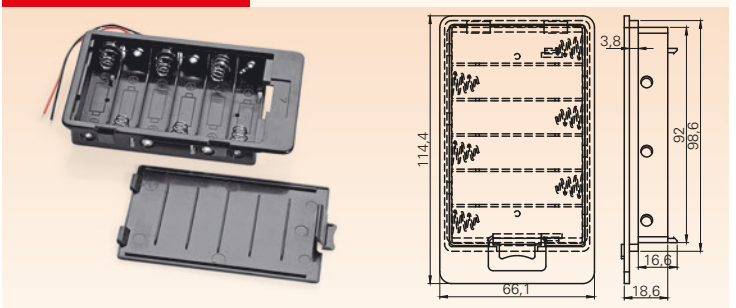
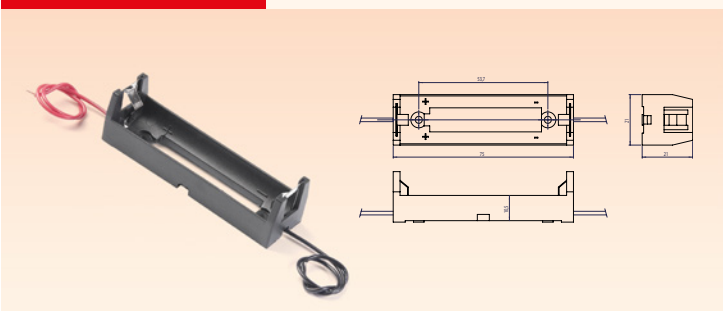
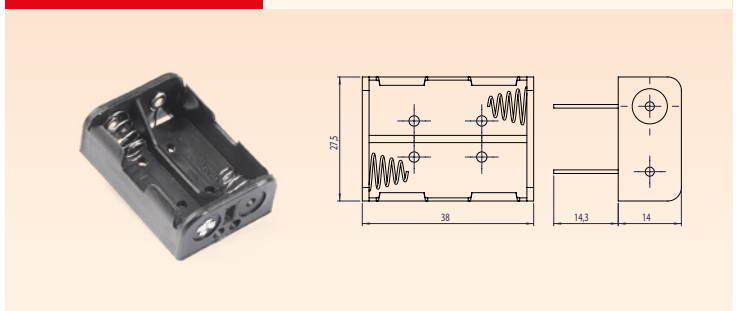
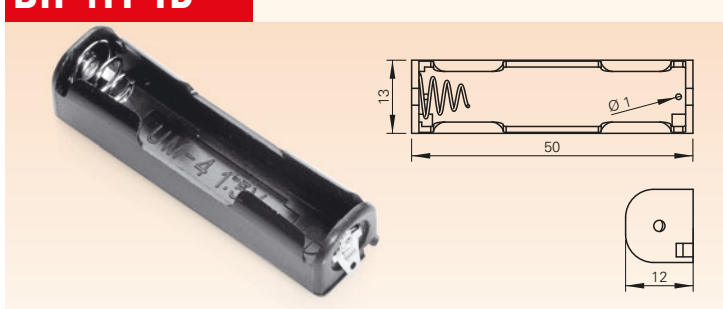
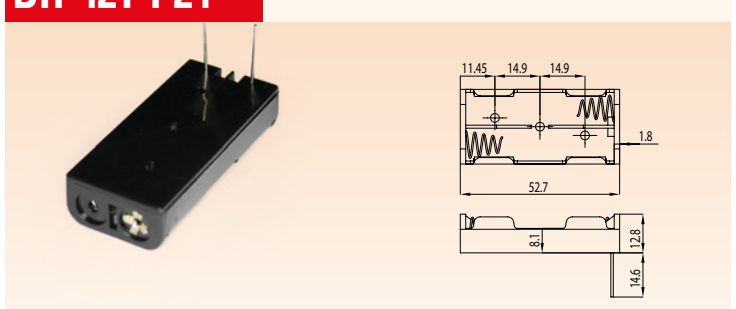
10 PCS AA SIZE BATTERY HOLDER



BH-3101-A

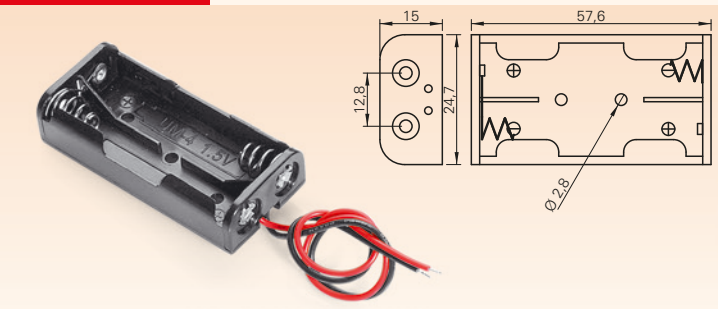
10 PCS AA SIZE BATTERY HOLDER



SBH-321-2A
2 PCS AA SIZE BATTERY HOLDER WITH COVER

SBH-331-1A
3 PCS AA SIZE BATTERY HOLDER WITH COVER

SBH-331-AS
3 PCS AA SIZE BATTERY HOLDER WITH COVER

SBH-331-1AS
3 PCS AA SIZE BATTERY HOLDER WITH BELT HANGER

SBH-341-1AS
4 PCS AA SIZE BATTERY HOLDER WITH COVER

SBH-361-1A
6 PCS AA SIZE BATTERY HOLDER WITH COVER

BHC-18650-1A
1 PC 18650 LI-ION BATTERY HOLDER

BH-521-P
2 PCS 23 A SIZE BATTERY HOLDER

BH-411-1D
1 PC AAA SIZE BATTERY HOLDER

BH-421-P24
2 PCS AAA SIZE BATTERY HOLDER


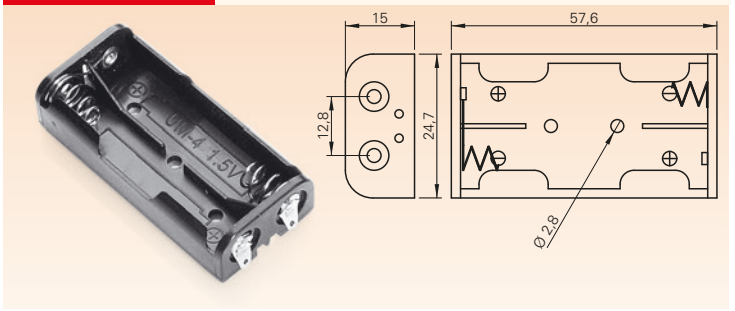
BH-421-A

2 PCS AAA SIZE BATTERY HOLDER



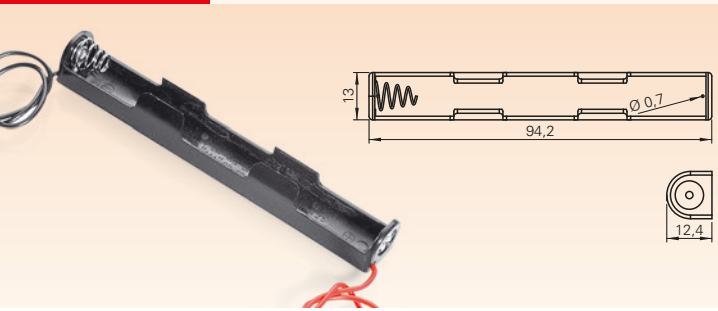
BH-421-D

2 PCS AAA SIZE BATTERY HOLDER



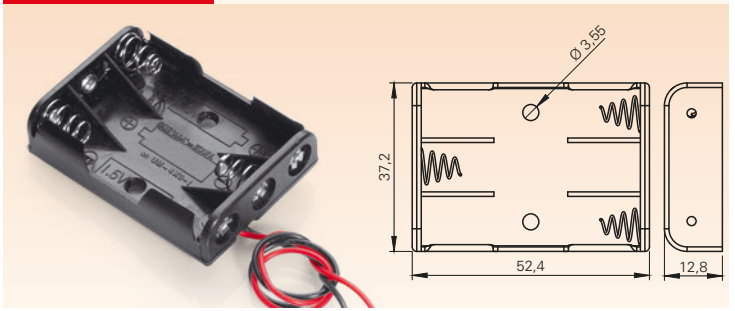
BH-425-A

2 PCS AAA SIZE BATTERY HOLDER



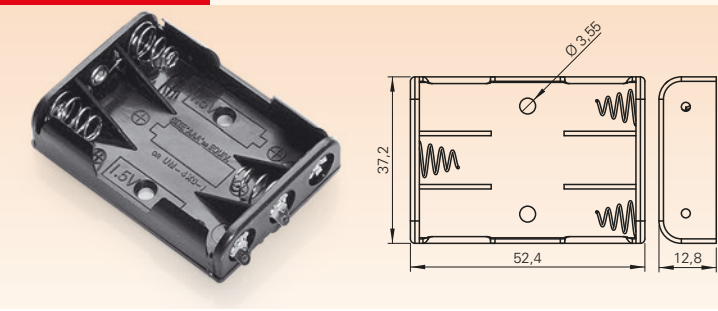
BH-431-1A

3 PCS AAA SIZE BATTERY HOLDER



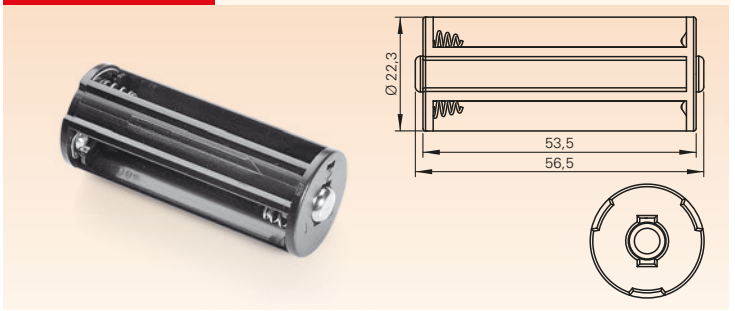
BH-431-1D

3 PCS AAA SIZE BATTERY HOLDER



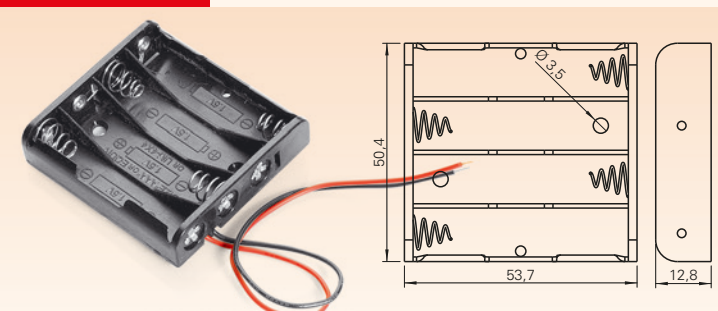
BH-432-A

3 PCS AAA SIZE BATTERY HOLDER



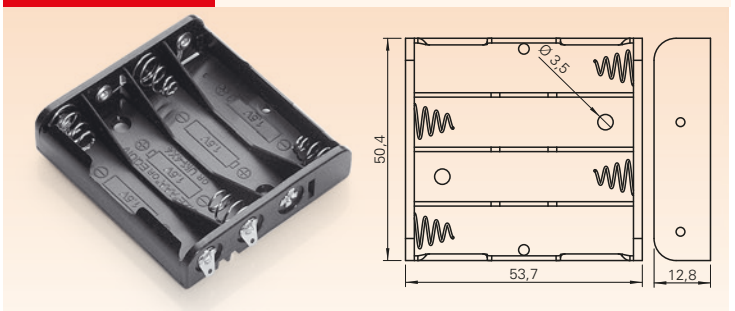
BH-441-A

4 PCS AAA SIZE BATTERY HOLDER



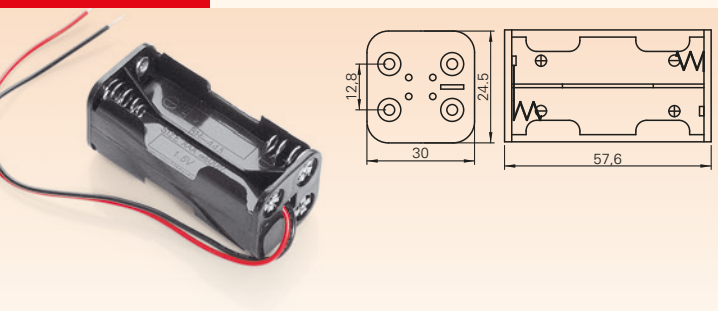
BH-441-D

4 PCS AAA SIZE BATTERY HOLDER



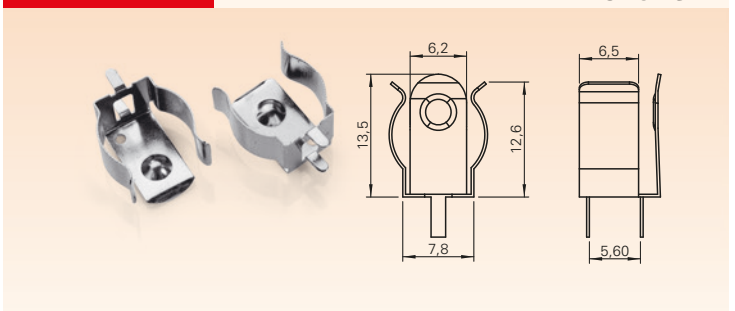
BH-443-A

4 PCS AAA SIZE BATTERY HOLDER



BC-0401

PCP CONTACT COMPATIBLE WITH AAA & 23A SIZE



BC-401

AA SIZE BATTERY CONTACT



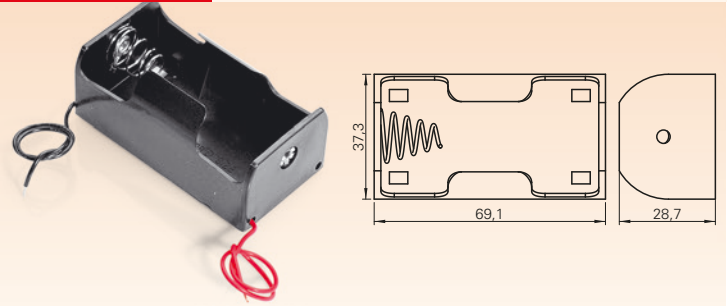
BC-401-AC

BC-401-C

BC-401-A

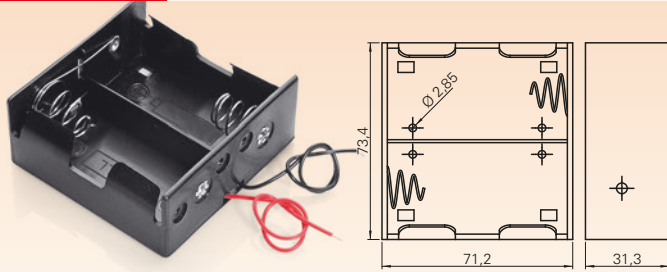
BH-111-A

1 PC D SIZE BATTERY HOLDER



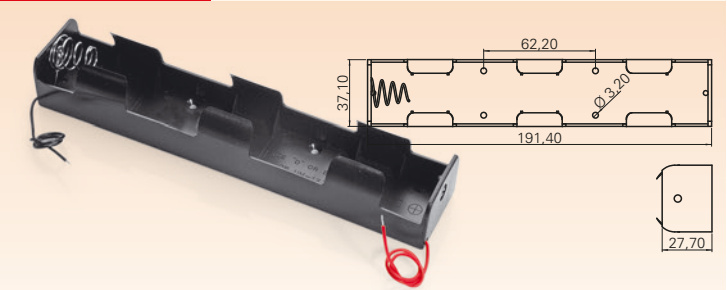
BH-121-1A

2 PCS D SIZE BATTERY HOLDER



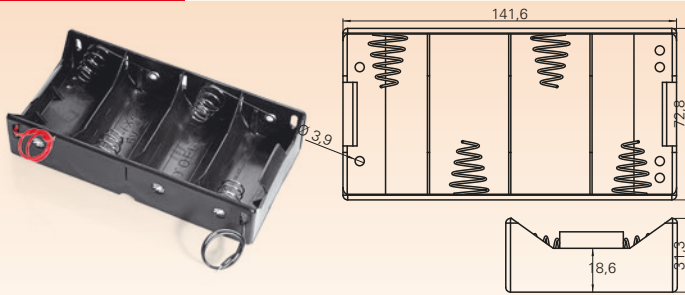
BH-132-A

3 PCS D SIZE BATTERY HOLDER



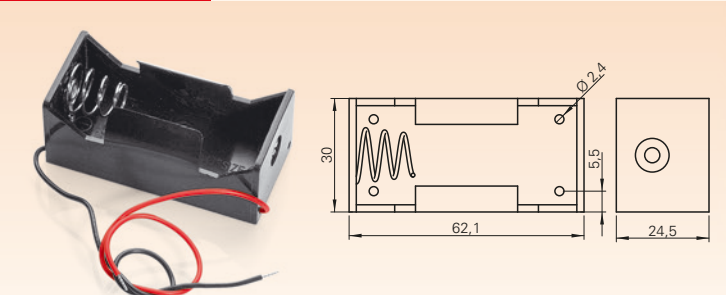
BH-143-1A

4 PCS D SIZE BATTERY HOLDER



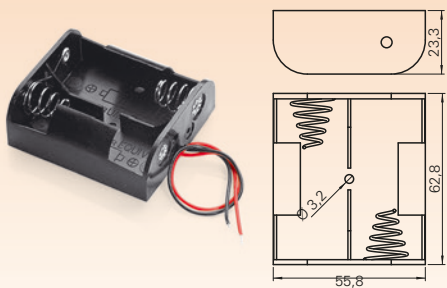
BH-211-A

1 PC C SIZE BATTERY HOLDER



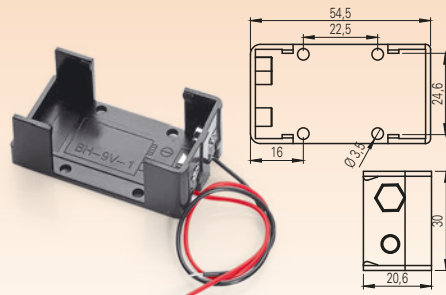
BH-221-A

2 PCS C SIZE BATTERY HOLDER



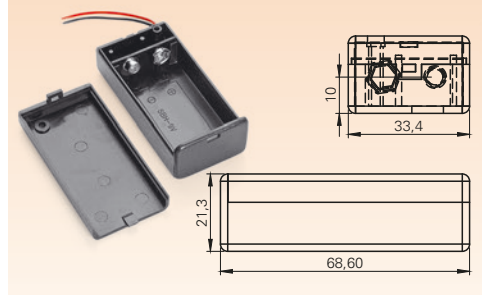
BH-9V-1A

1 PC 9V BATTERY HOLDER



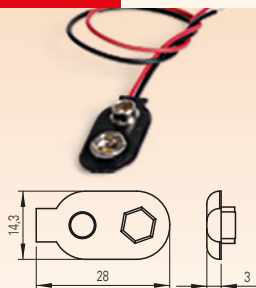
SBH-9V-A

1 PC 9V BATTERY HOLDER WITH COVER



BS-ICCT

9V BATTERY CONTACT



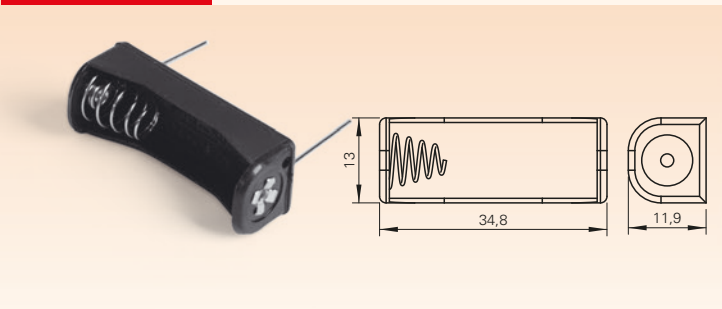
BS-ECCT

9V BATTERY CONTACT



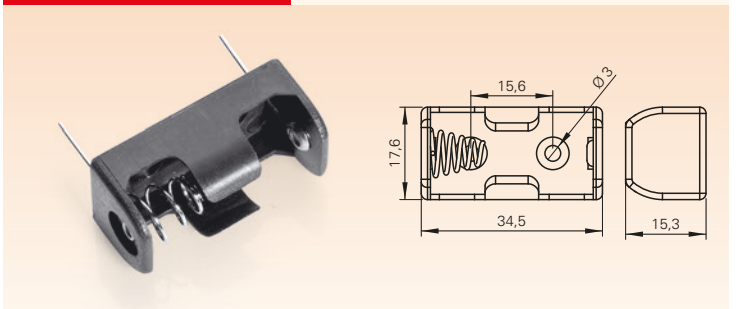
BH-511-P

1 PC 23 A SIZE BATTERY HOLDER



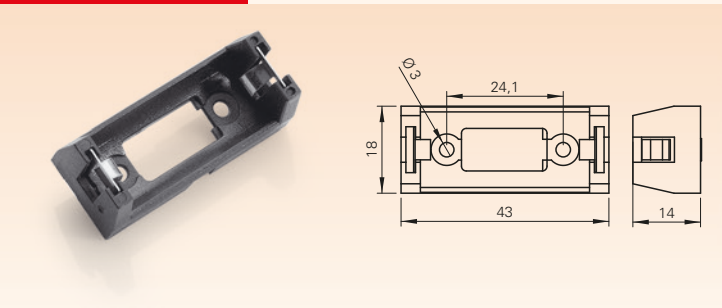
BH-1/2AA-2P24

1 PC 1/2 AA SIZE BATTERY HOLDER



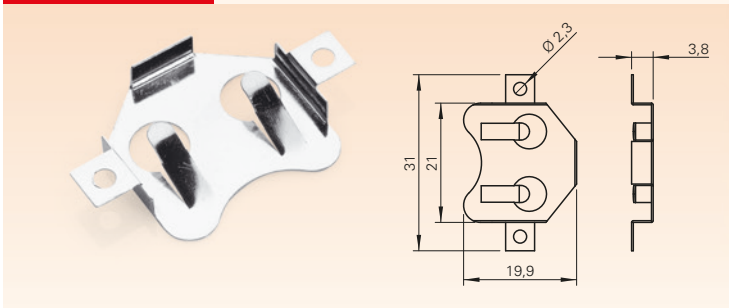
BHC-CR123A

1 PC CR123A SIZE BATTERY HOLDER



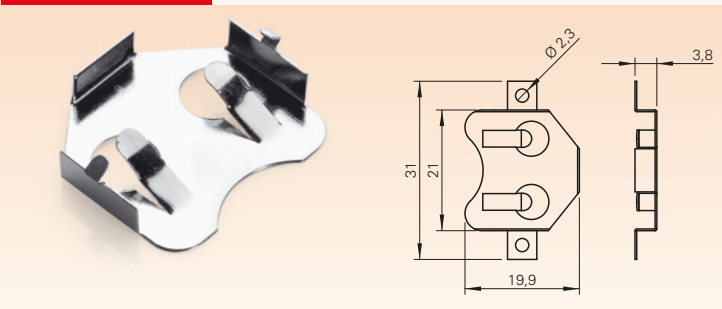
BC-2001

CR-2032 BATTERY HOLDER



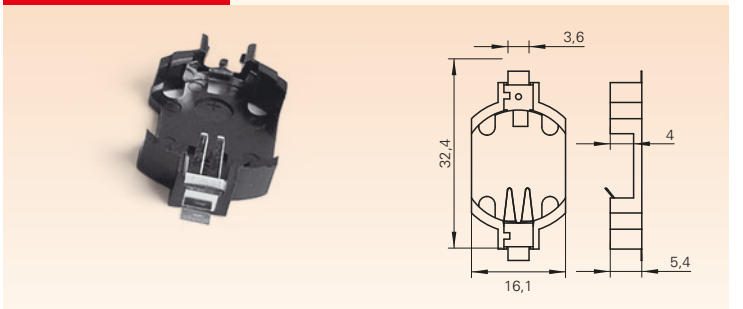
BC-2002

CR-2032 BATTERY HOLDER



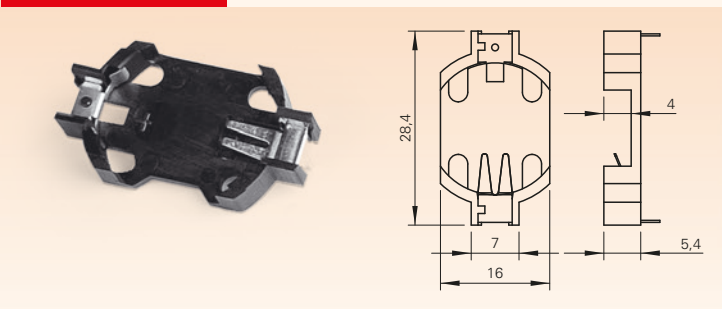
CH-004-2032

CR-2032 BATTERY HOLDER



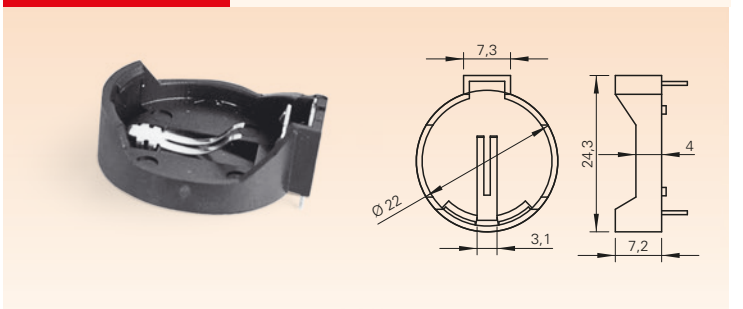
CH-005-2032

CR-2032 BATTERY HOLDER



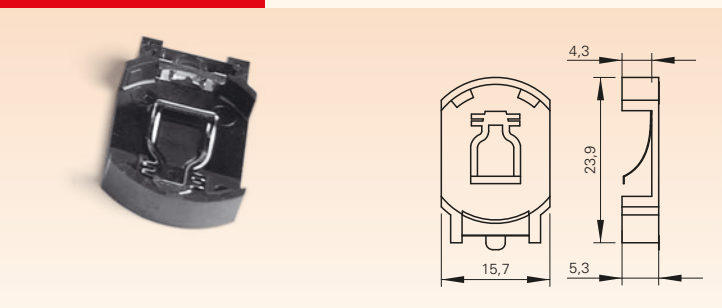
CH-224-2032

CR-2032 BATTERY HOLDER



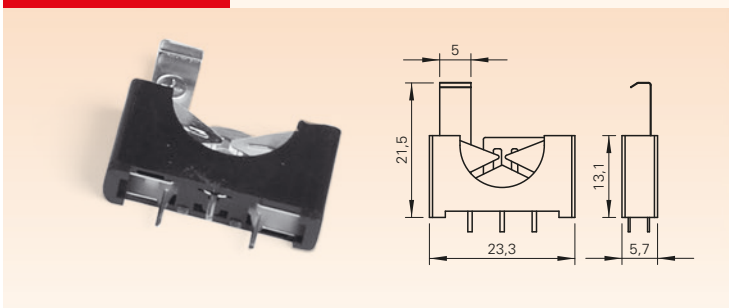
CH-7410-2032

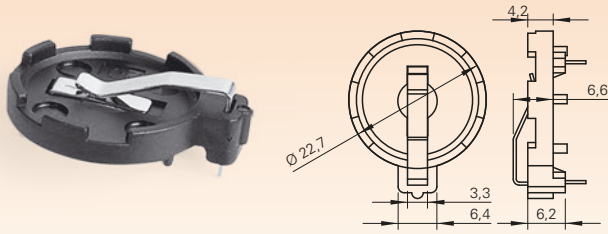
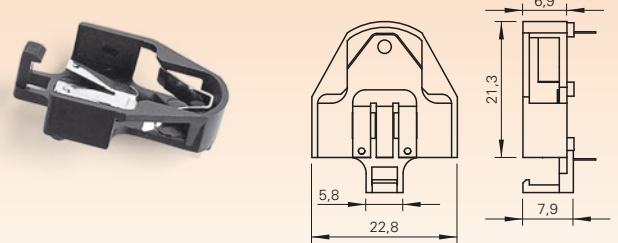
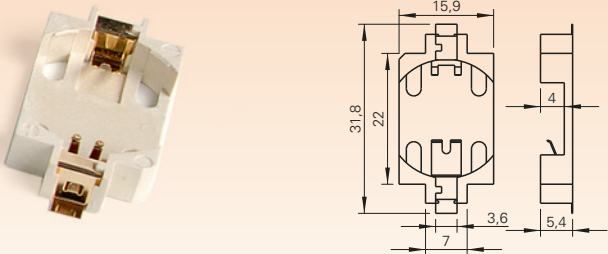
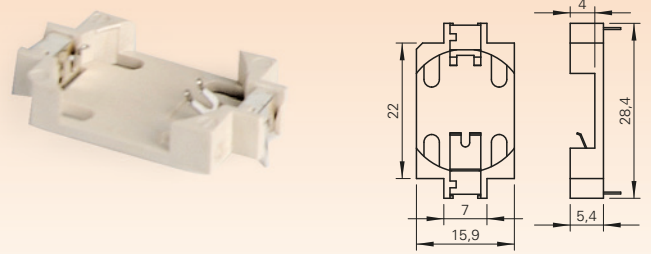
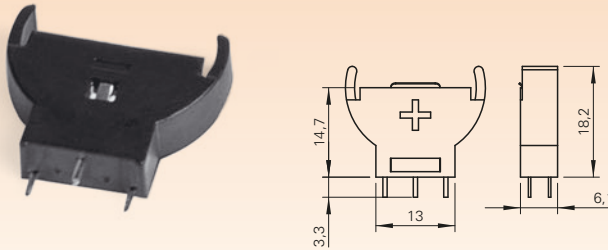
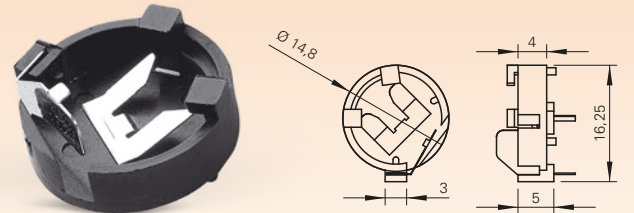
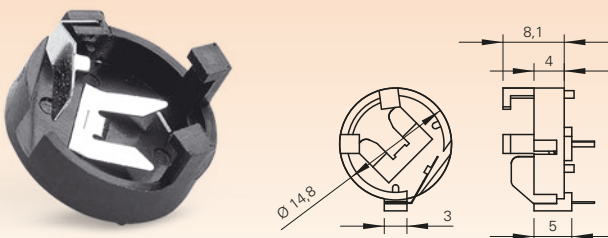
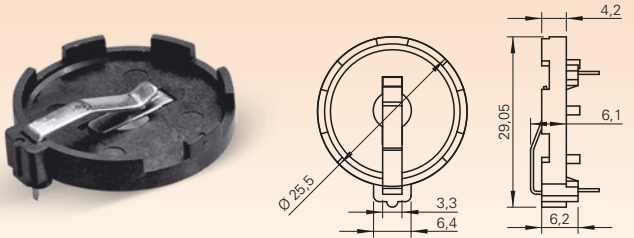
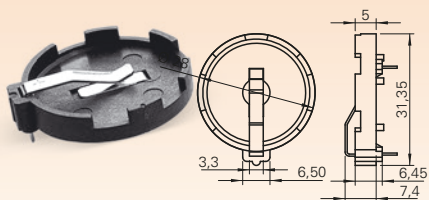
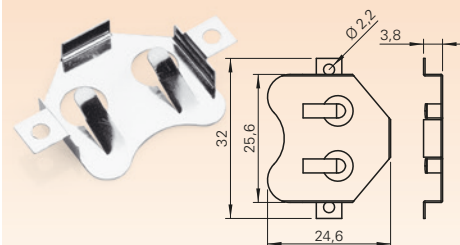
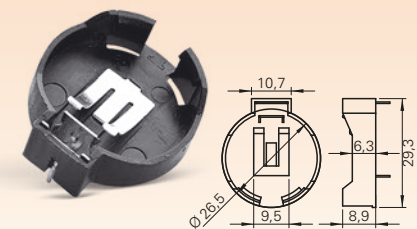
CR-2032 BATTERY HOLDER



CH-243-2032

CR-2032 BATTERY HOLDER



CH-25-2032
CR-2032 BATTERY HOLDER

CH-26-2032
CR-2032 BATTERY HOLDER

CH-28-2032
CR-2032 BATTERY HOLDER

CH-29-2032
CR-2032 BATTERY HOLDER

CH-74-2032
CR-2032 BATTERY HOLDER

CH-23-1220
CR-2032 BATTERY HOLDER

CH-23-1225
CR-1225 BATTERY HOLDER

CH-25-2325
CR-2325 BATTERY HOLDER

CH-002-2425
CR-2425 BATTERY HOLDER

BC-2401
CR-2430 BATTERY HOLDER

CH-273-2450
CR-2450 BATTERY HOLDER


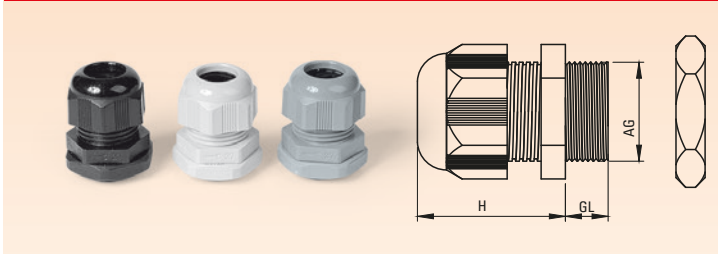


ALTINKAYA

ACCESSORIES

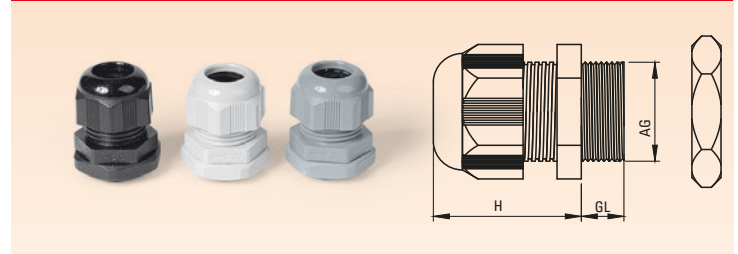


STANDARD PLASTIC CABLE GLAND (METRIC)



Metric Thread	Code	Units in Pack	H (mm)	GL (mm)	Wrench Flat (mm)	Mount Dia (mm)	Cable Dia (mm)
M12x1,5	OMR 01	10	24	8	15	12,5	3-6,5
M16x1,5	OMR 02	10	28	8	19	16,5	4-8
M16x1,5	OMR 03	10	29	10	22	16,5	5-10
M20x1,5	OMR 04	10	29	10	24	20,5	6-12
M20x1,5	OMR 05	10	33	10	27	20,5	10-14
M25x1,5	OMR 06	10	38	10	33	25,5	13-18
M32x1,5	OMR 07	5	41	10	42	32,5	18-25
M40x1,5	OMR 08	5	51	10	53	40,5	22-32
M50x1,5	OMR 09	3	53	18	60	50,5	30-38
M63x1,5	OMR 10	2	55	18	65	63,5	34-44

STANDARD PLASTIC CABLE GLAND (PG)



PG Thread	Code	Units in Pack	H (mm)	GL (mm)	Wrench Flat (mm)	Mount Dia (mm)	Cable Dia (mm)
PG7	OR 01	10	24	8	15	13	3-6,5
PG9	OR 02	10	28	8	19	16	4-8
PG11	OR 03	10	29	8	22	19	5-10
PG13,5	OR 04	10	29	9	24	21	6-12
PG16	OR 05	10	33	9	27	23	10-14
PG21	OR 06	10	38	11	33	29	13-18
PG29	OR 07	5	41	11	42	37,5	18-25
PG36	OR 08	5	51	13	53	47,5	22-32
PG42	OR 09	3	53	13	60	54,5	30-38
PG48	ORG10	2	55	14	65	60	34-44

MULTIHOLE CABLE GLAND SEALS



Code	# of Holes	Hole Dia (mm)	Suitable PG Gland	Suitable Metric Gland	Suitable Spiral PG Gland	Suitable Spiral Metric Gland	Suitable Brass PG Gland	Suitable Brass Metric Gland
MEC02A3	2	3	OR 02 (PG9)	OMR 02 (M16x1,5)	OR 20 (PG9)	OMR 18 (M16x1,5)	OPB 02 (PG9)	OMB 02 (M16x1,5)
MEC03A3	3	3	OR 02 (PG9)	OMR 02 (M16x1,5)	OR 20 (PG9)	OMR 18 (M16x1,5)	OPB 02 (PG9)	OMB 02 (M16x1,5)
MEC02C3	4	3	OR 02 (PG9)	OMR 02 (M16x1,5)	OR 20 (PG9)	OMR 18 (M16x1,5)	OPB 02 (PG9)	OMB 02 (M16x1,5)
MEC03A4	2	4	OR 03 (PG11)	OMR 03 (M16x1,5)	OR 21 (PG11)	OMR 19 (M16x1,5)	OPB 03 (PG11)	-
MEC03A5	2	5	OR 03 (PG11)	OMR 03 (M16x1,5)	OR 21 (PG11)	OMR 19 (M16x1,5)	OPB 03 (PG11)	OMB 03 (M20x1,5)
MEC03B5	3	5	OR 03 (PG11)	OMR 03 (M16x1,5)	OR 21 (PG11)	OMR 19 (M16x1,5)	OPB 03 (PG11)	OMB 03 (M20x1,5)
MEC04A6	2	6	OR 04 (PG13,5)	OMR 04 (M20x1,5)	OR 22 (PG13,5)	OMR 20 (M20x1,5)	OPB 04 (PG13,5)	-
MEC04B5	3	5	OR 04 (PG13,5)	OMR 04 (M20x1,5)	OR 22 (PG13,5)	OMR 20 (M20x1,5)	OPB 04 (PG13,5)	-
MEC05A4	2	4	OR 05 (PG16)	OMR 05 (M20x1,5)	OR 23 (PG16)	OMR 21 (M20x1,5)	OPB 05 (PG16)	OMB 04 (M25x1,5)
MEC05A7	2	7	OR 05 (PG16)	OMR 05 (M20x1,5)	OR 23 (PG16)	OMR 21 (M20x1,5)	OPB 05 (PG16)	OMB 04 (M25x1,5)
MEC05B6	3	6	OR 05 (PG16)	OMR 05 (M20x1,5)	OR 23 (PG16)	OMR 21 (M20x1,5)	OPB 05 (PG16)	OMB 04 (M25x1,5)
MEC05C5	4	5	OR 05 (PG16)	OMR 05 (M20x1,5)	OR 23 (PG16)	OMR 21 (M20x1,5)	OPB 05 (PG16)	OMB 04 (M25x1,5)
MEC06A9	2	9	OR 06 (PG21)	OMR 06 (M25x1,5)	OR 24 (PG21)	OMR 22 (M25x1,5)	OPB 06 (PG21)	OMB 05 (M32x1,5)
MEC06B7	3	7	OR 06 (PG21)	OMR 06 (M25x1,5)	OR 24 (PG21)	OMR 22 (M25x1,5)	OPB 06 (PG21)	OMB 05 (M32x1,5)
MEC06B8	3	8	OR 06 (PG21)	OMR 06 (M25x1,5)	OR 24 (PG21)	OMR 22 (M25x1,5)	OPB 06 (PG21)	OMB 05 (M32x1,5)
MEC06C7	4	7	OR 06 (PG21)	OMR 06 (M25x1,5)	OR 24 (PG21)	OMR 22 (M25x1,5)	OPB 06 (PG21)	OMB 05 (M32x1,5)
MEC06G4	8	4	OR 06 (PG21)	OMR 06 (M25x1,5)	OR 24 (PG21)	OMR 22 (M25x1,5)	OPB 06 (PG21)	OMB 05 (M32x1,5)
MEC07C9	4	9	OR 07 (PG29)	OMR 07 (M32x1,5)	-	-	OPB 07 (PG29)	OMB 06 (M40x1,5)
MEC07D3	16	3	OR 07 (PG29)	OMR 07 (M32x1,5)	-	-	OPB 07 (PG29)	OMB 06 (M40x1,5)
MEC08E8	6	8	OR 08 (PG36)	OMR 08 (M40x1,5)	-	-	OPB 07 (PG29)	OMB 06 (M40x1,5)

BRASS NICKEL PLATED CABLE GLAND (METRIC)



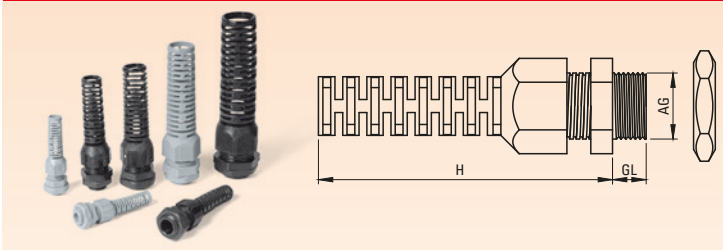
Metric Thread	Code	Units in Pack	H (mm)	GL (mm)	Wrench Flat (mm)	Mount Dia (mm)	Cable Dia (mm)
M12x1,5	OMB 01	10	19	6	14-14	12,5	3-6,5
M16x1,5	OMB 02	10	21	7	18-17	16,5	4-8
M20x1,5	OMB 03	10	23	8	22-22	20,5	6-12
M25x1,5	OMB 04	10	24	8	27-24	25,5	10-14
M32x1,5	OMB 05	5	25	9	34-30	32,5	13-18
M40x1,5	OMB 06	5	31	9	43-40	40,5	18-25
M50x1,5	OMB 07	3	37	9	55-50	50,5	22-32
M63x1,5	OMB 08	2	38	14	68-64	63,5	34-44

BRASS NICKEL PLATED CABLE GLAND (PG)



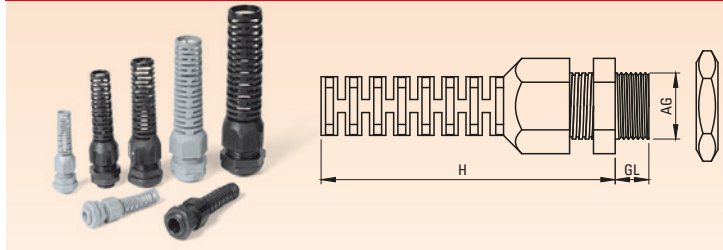
PG Thread	Code	Units in Pack	H (mm)	GL (mm)	Wrench Flat (mm)	Mount Dia (mm)	Cable Dia (mm)t
PG7	OPB 01	10	19	6	14	13	3-6,5
PG9	OPB 02	10	21	6	17	16	4-8
PG11	OPB 03	10	22	6	20	19	5-10
PG13,5	OPB 04	10	23	6,5	22	21	6-12
PG16	OPB 05	10	24	6,5	24	23	10-14
PG21	OPB 06	10	25	7	30	29	13-18
PG29	OPB 07	5	31	8	40	37,5	18-25
PG36	OPB 08	5	37	10	50	47,5	22-32
PG42	OPB 09	3	37	12	57	54,5	30-38
PG48	OPB 10	2	38	14	64	60	34-44

SPIRAL PLASTIC CABLE GLAND (METRIC)



Metric Thread	Code	Units in Pack	H (mm)	GL (mm)	Wrench Flat (mm)	Mount Dia (mm)	Cable Dia (mm)
M12x1,5	OMR 17	10	57	8	15	12,5	3-6,5
M16x1,5	OMR 18	10	70	8	19	16,5	4-8
M16x1,5	OMR 19	10	81	10	22	16,5	5-10
M20x1,5	OMR 20	10	89	10	24	20,5	6-12
M20x1,5	OMR 21	5	107	10	27	20,5	10-14
M25x1,5	OMR 22	5	124	10	33	25,5	13-18

SPIRAL PLASTIC CABLE GLAND (METRIC)

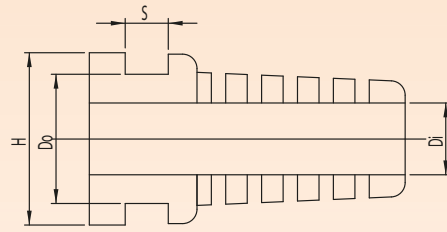
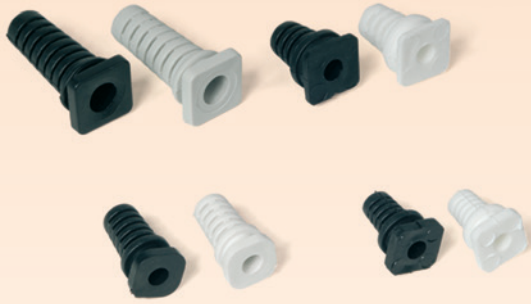


PG Thread	Code	Units in Pack	H (mm)	GL (mm)	Wrench Flat (mm)	Mount Dia (mm)	Cable Dia (mm)
PG7	OR 19	10	57	8	15	13	3-6,5
PG9	OR 20	10	70	8	19	16	4-8
PG11	OR 21	10	81	8	22	19	5-10
PG13,5	OR 22	5	89	9	24	21	6-12
PG16	OR 23	5	107	9	27	23	10-14
PG21	OR 24	5	124	11	33	29	13-18

PLASTIC BLINDSTOP

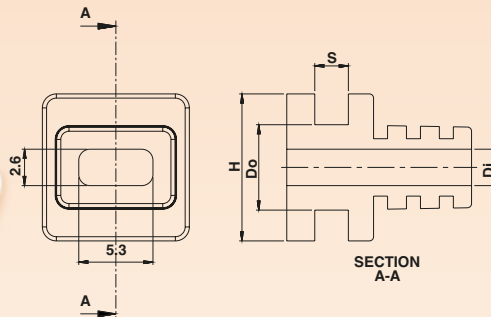


PG Thread	Code	Units in Pack	Metric Thread	Code	Units in Pack
PG7	OK 01	10	M12x1,5	MOK 01	10
PG9	OK 02	10	M16x1,5	MOK 02	10
PG11	OK 03	10	M20x1,5	MOK 03	10
PG13,5	OK 04	10	M25x1,5	MOK 04	10
PG16	OK 05	10	M32x1,5	MOK 05	10
PG21	OK 06	10	M40x1,5	MOK 06	10
PG29	OK 07	10			
PG36	OK 08	10			



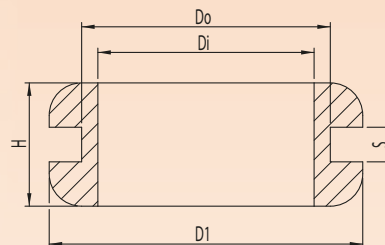
Code	Di	Do	H	S
A-9035	3,5	9	12,5	3
A-905	5	9	11,5	2,8
A-909	5	9	12	2,5
A-913	6	14	15	2,8
A-914	8	11	15,5	2,8
A-915	10	13	17,3	2,3
A-907	4	9	11,5	2,8

SLEEVED CABLE GROMMET



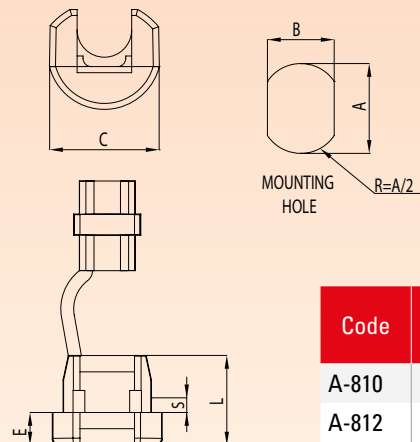
Code	Di	Do	H	S
A-903	2x0,75	6,5	10,5	2,3

2X 0,75 MM CABLE GROMMET



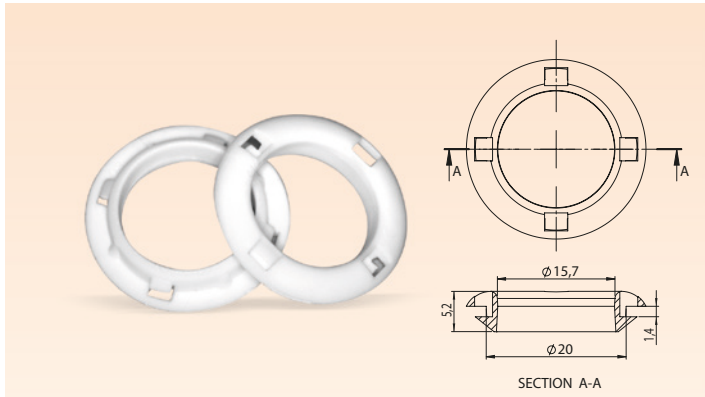
Code	Di	Do	D1	H	S
A-904	4	5,5	9	5	1,5
A-906	6	8	11,3	4,3	1,5
A-908	8	10	13	5,2	1,5
A-910	10	11,5	14	6	1,6
A-912	12	15	19,5	5,5	1,8

SLEEVED CABLE GROMMET



Code	A (mm)	B (mm)	C (mm)	L (mm)	E (mm)	S (mm)
A-810	12,7	10,9	13,5	11	4	1,8
A-812	16,2	13,5	16,5	15	6	1,9

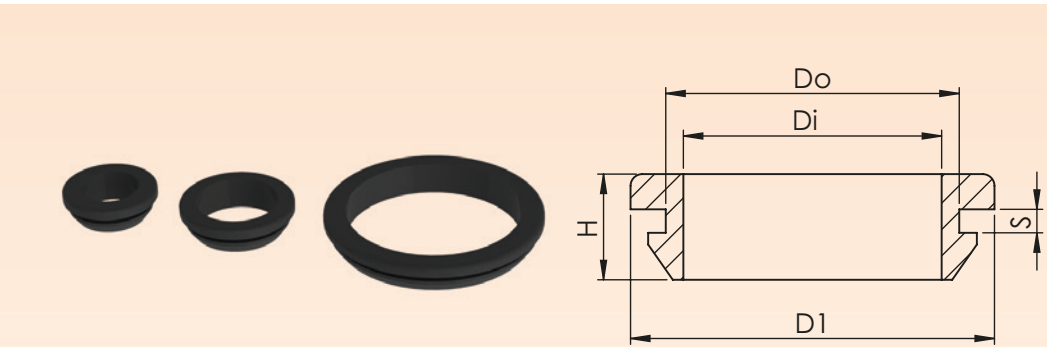
STRAIN RELIEF BUSHING



SLEEVED CABLE GROMMET A-920

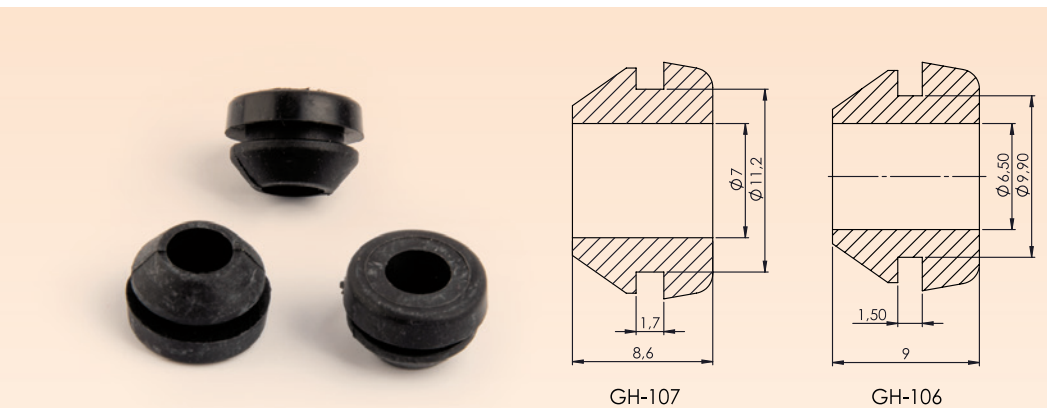


FASTON TERMINAL COVER (6X3 MM)



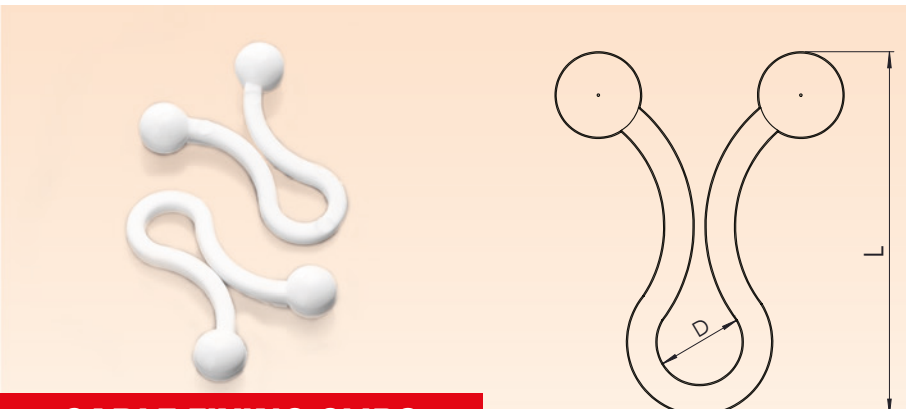
SLEEVED CABLE GROMMET

Code	Di	Do	D1	H	S
A-820	16	20	26	9	2
A-825	22	25	31	9	2
A-850	46	50	58	9	2



SLEEVED CABLE GROMMET

Code	Di	Do	D1	H	S
GH-106	6,5	10	14	9	1,5
GH-107	7	11	14,5	8,5	1,7



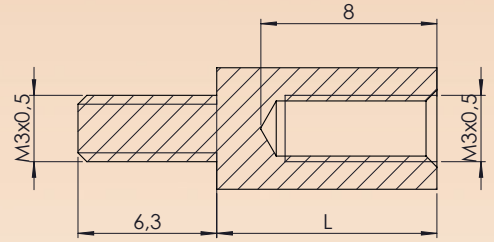
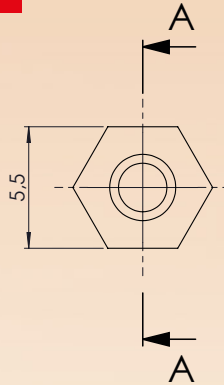
CABLE FIXING CLIPS

Material	PA6 UL94 V2
Color	White

Code	H (mm)	D (Cable Dia mm)	Pack
TK-040	20	4 - 6,5	1000
TK-045	27,3	7,6 - 10,2	1000
TK-050	34,3	14 - 16,5	1000
TK-060	48,9	Maks. 25,4	500
TK-070	68,5	Maks. 36,5	500

MALE-FEMALE M3 PLASTIC SPACER

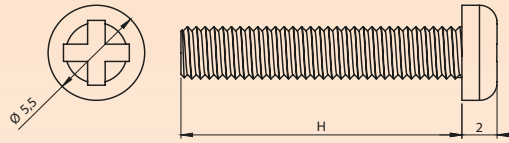
MATERIAL PA 6 GF15 UL94 V2
 COLOR NATURAL



SECTION A-A

Code	L mm
PS-1333-5	5
PS-1333-10	10
PS-1333-15	15
PS-1333-20	20

• CONTACT US IN CASE OF NEED FOR DIFFERENT SIZES

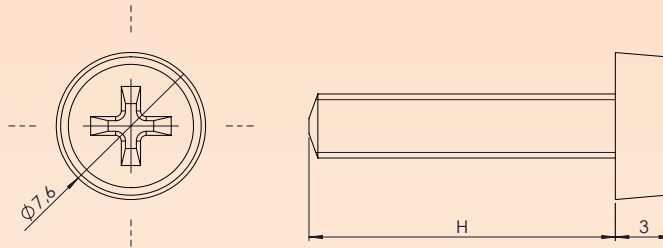


- Made of Polyacetal (POM) material
- Star Head
- Sizes between M3 6-16mm

Code	Nut
PN-300	M3 NUT

Code	H (mm)	Screw
PS-306	6	6 mm Pan Head M3
PS-308	8	8 mm Pan Head M3
PS-310	10	10 mm Pan Head M3
PS-312	12	12 mm Pan Head M3
PS-316	16	16 mm Pan Head M3

PLASTIC SCREWS AND NUTS



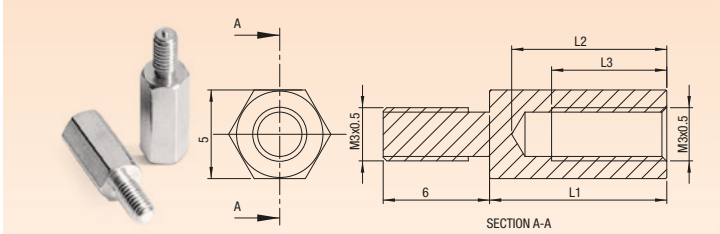
- PA6 GF15 UL94 V2 Material
- Star Head
- Sizes between M4 6-25mm
- Natural Colort

Code	Nut
PN-400	M4 NUT

Code	H (mm)	Screw
PS-401-6	6	6 mm Pan Head M4
PS-401-8	8	8 mm Pan Head M4
PS-401-10	10	10 mm Pan Head M4
PS-401-12	12	12 mm Pan Head M4
PS-401-14	14	14 mm Pan Head M4
PS-401-16	16	16 mm Pan Head M4
PS-401-20	20	20 mm Pan Head M4
PS-401-25	25	25 mm Pan Head M4

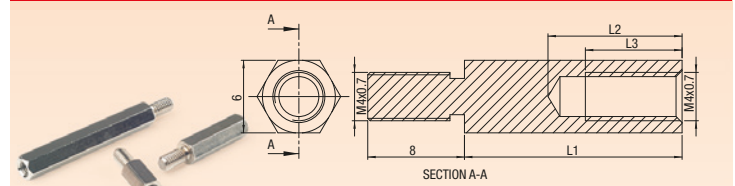
PLASTIC SCREWS AND NUTS

MALE-FEMALE M3 BRASS SPACERS



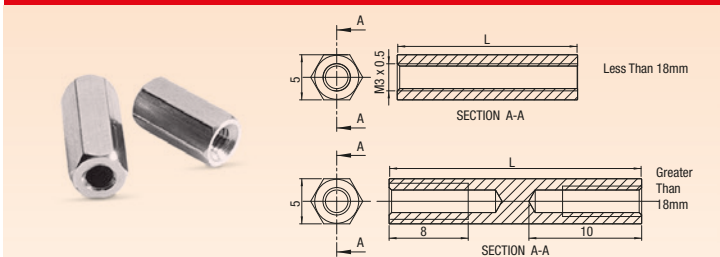
Code	L1	L2	L3	Pack	Code	L1	L2	L3	Pack
YP-505	5	4,5	3,5	50	YP-516	16	12	8	50
YP-506	6	5,5	4	50	YP-517	17	12	8	50
YP-507	7	6,5	5,5	50	YP-518	18	12	8	50
YP-508	8	7,5	6,5	50	YP-519	19	12	8	50
YP-509	9	8,5	7,5	50	YP-520	20	12	8	50
YP-510	10	9,5	8	50	YP-525	25	12	8	50
YP-511	11	10	8	50	YP-530	30	12	8	50
YP-512	12	11	8	50	YP-535	35	12	8	50
YP-513	13	12	8	50	YP-540	40	12	8	50
YP-514	14	12	8	50	YP-545	45	12	8	50
YP-515	15	12	8	50	YP-550	50	12	8	50

MALE-FEMALE M4 BRASS SPACERS



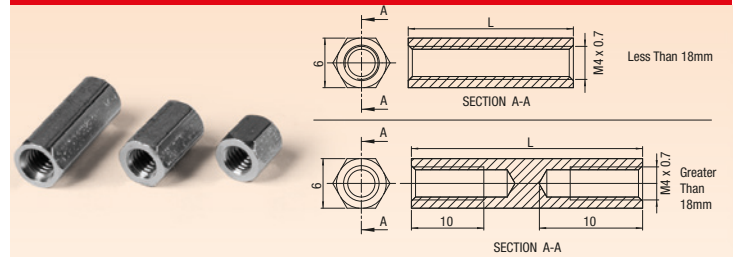
Code	L1	L2	L3	Pack	Code	L1	L2	L3	Pack
YP-4106	6	5,3	4	50	YP-4117	17	12	10	50
YP-4107	7	6,3	5	50	YP-4118	18	12	10	50
YP-4108	8	7,3	6	50	YP-4119	19	12	10	50
YP-4109	9	8,3	7	50	YP-4120	20	12	10	50
YP-4110	10	9,3	8	50	YP-4125	25	12	10	50
YP-4111	11	10,3	8	50	YP-4130	30	12	10	50
YP-4112	12	10,8	10	50	YP-4135	35	12	10	50
YP-4113	13	12	10	50	YP-4140	40	12	10	50
YP-4114	14	12	10	50	YP-4146	46	12	10	50
YP-4115	15	12	10	50	YP-4163	63	12	10	50
YP-4116	16	12	10	50					

FEMALE-FEMALE M3 BRASS SPACERS



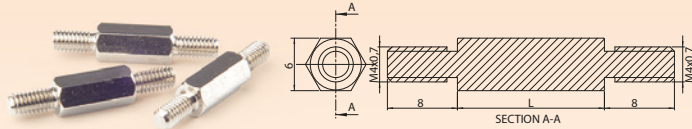
Code	L	Pack	Code	L	Pack
YP-405	5	50	YP-416	16	50
YP-406	6	50	YP-417	17	50
YP-407	7	50	YP-418	18	50
YP-408	8	50	YP-419	19	50
YP-409	9	50	YP-420	20	50
YP-410	10	50	YP-425	25	50
YP-411	11	50	YP-426	26	50
YP-412	12	50	YP-430	30	50
YP-413	13	50	YP-436	36	50
YP-414	14	50	YP-440	40	50
YP-415	15	50			

FEMALE-FEMALE M4 BRASS SPACERS



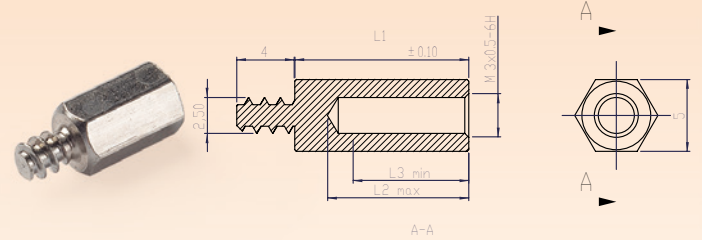
Code	L	Pack	Code	L	Pack
YP-4005	5	50	YP-4016	16	50
YP-4006	6	50	YP-4017	17	50
YP-4007	7	50	YP-4018	18	50
YP-4008	8	50	YP-4019	19	50
YP-4009	9	50	YP-4020	20	50
YP-4010	10	50	YP-4025	25	50
YP-4011	11	50	YP-4026	26	50
YP-4012	12	50	YP-4030	30	50
YP-4013	13	50	YP-4036	36	50
YP-4014	14	50	YP-4040	40	50
YP-4015	15	50			

MALE-MALE M4 BRASS SPACERS



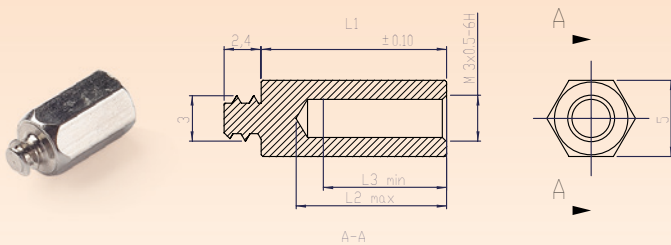
Code	L	Pack	Code	L	Pack
YP-4205	5	50	YP-4215	15	50
YP-4206	6	50	YP-4216	16	50
YP-4207	7	50	YP-4217	17	50
YP-4208	8	50	YP-4218	18	50
YP-4209	9	50	YP-4219	19	50
YP-4210	10	50	YP-4220	20	50
YP-4211	11	50	YP-4225	25	50
YP-4212	12	50	YP-4230	30	50
YP-4213	13	50	YP-4235	35	50
YP-4214	14	50	YP-4240	40	50

MALE-FEMALE PLASTIC THREADED SPACERS



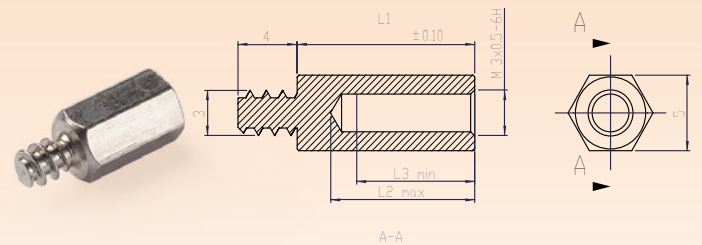
Code	L1	L2	L3	Pack
YP-3205	5	4,5	3,5	50
YP-3206	6	5,5	5	50
YP-3207	7	6,5	6	50
YP-3208	8	7,5	7	50
YP-3209	9	8,5	7,5	50
YP-3210	10	9,5	8	50
YP-3211	11	10	8	50
YP-3212	12	11	8	50

MALE-FEMALE PLASTIC THREADED SPACERS



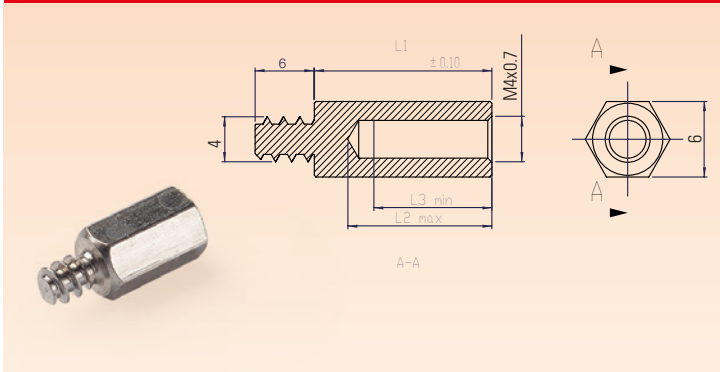
Code	L1	L2	L3	Pack
YP-3305	5	4,5	3,5	50
YP-3306	6	5,5	5	50
YP-3307	7	6,5	6	50
YP-3308	8	7,5	7	50
YP-3309	9	8,5	7,5	50
YP-3310	10	9,5	8	50
YP-3311	11	10	8	50
YP-3312	12	11	8	50

MALE-FEMALE PLASTIC THREADED SPACERS



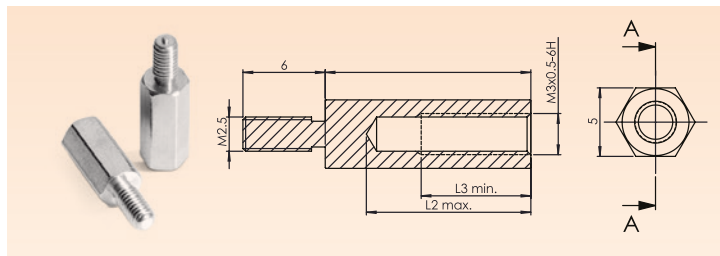
Code	L1	L2	L3	Pack	Code	L1	L2	L3	Pack
YP-3405	5	4,5	3,5	50	YP-3416	5	11	8	50
YP-3406	6	5,5	5	50	YP-3417	6	11	8	50
YP-3407	7	6,5	6	50	YP-3418	7	11	8	50
YP-3408	8	7,5	7	50	YP-3419	8	11	8	50
YP-3409	9	8,5	7,5	50	YP-3420	9	11	8	50
YP-3410	10	9,5	8	50	YP-3421	10	11	8	50
YP-3411	11	10	8	50	YP-3422	11	11	8	50
YP-3412	12	11	8	50	YP-3423	12	11	8	50
YP-3413	5	11	8	50	YP-3424	5	11	8	50
YP-3414	6	11	8	50	YP-3425	6	11	8	50
YP-3415	7	11	8	50					

MALE-FEMALE PLASTIC THREADED SPACERS



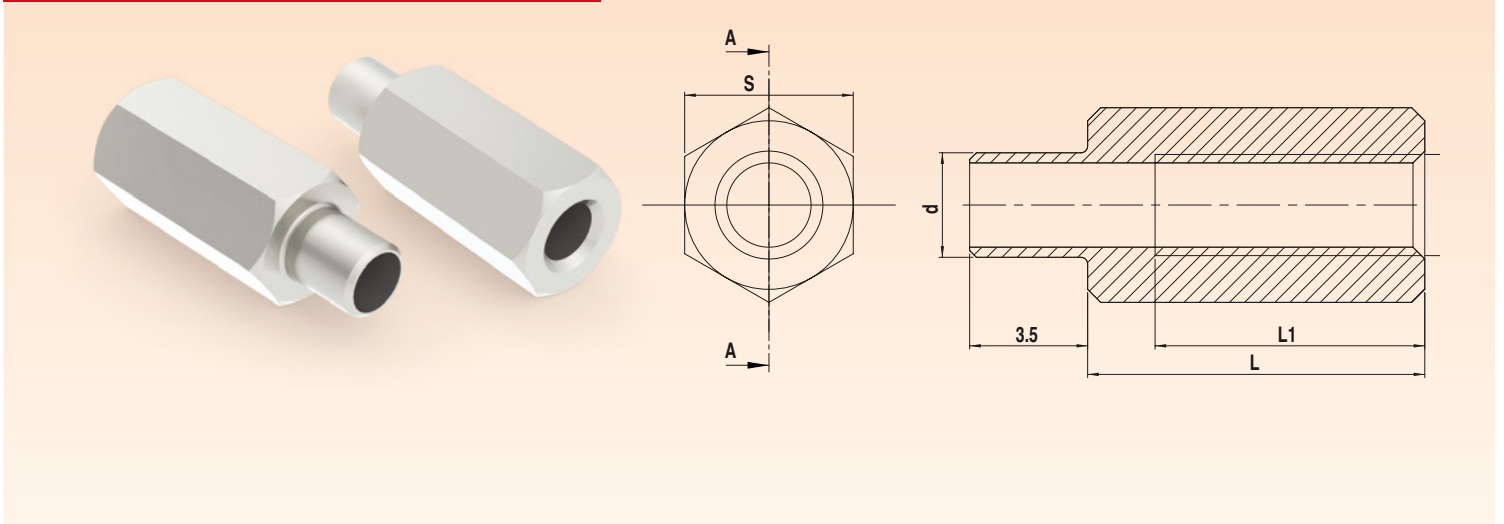
Code	L1	L2	L3	Pack	Code	L1	L2	L3	Pack
YP-4405	5	4,5	3,5	50	YP-4416	5	11	8	50
YP-4406	6	5,5	5	50	YP-4417	6	11	8	50
YP-4407	7	6,5	6	50	YP-4418	7	11	8	50
YP-4408	8	7,5	7	50	YP-4419	8	11	8	50
YP-4409	9	8,5	7,5	50	YP-4420	9	11	8	50
YP-4410	10	9,5	8	50	YP-4421	10	11	8	50
YP-4411	11	10	8	50	YP-4422	11	11	8	50
YP-4412	12	11	8	50	YP-4423	12	11	8	50
YP-4413	5	11	8	50	YP-4424	5	11	8	50
YP-4414	6	11	8	50	YP-4425	6	11	8	50
YP-4415	7	11	8	50					

MALE M2.5-FEMALE M3 BRASS SPACERS



Code	L1	L2	L3	Pack	Code	L1	L2	L3	Pack
YP-3504	4	3,5	3	50	YP-3513	13	12	8	50
YP-3505	5	4,5	3,5	50	YP-3514	14	12	8	50
YP-3506	6	5,5	4	50	YP-3515	15	12	8	50
YP-3507	7	6,5	5	50	YP-3516	16	12	8	50
YP-3508	8	7,5	6	50	YP-3517	17	12	8	50
YP-3509	9	8,5	7,5	50	YP-3518	18	12	8	50
YP-3510	10	9,5	8	50	YP-3519	19	12	8	50
YP-3511	11	10	8	50	YP-3520	20	12	8	50
YP-3512	12	11	8	50					

SPACERS SOLDERED TO PCB



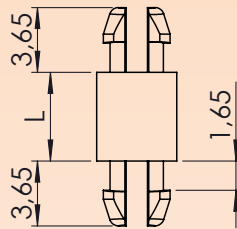
- TIN-COATED SOLDERABLE
- CONNECTED TO THE PCB CARD BY SOLDERING
- CAN BE USED FOR MECHANICAL AND ELECTRICAL CONNECTION

Code	L	L1	d	S	Code	L	L1	d	S
YP-035-5	5	8	3,1	5	YP-035-11	11	8	3,1	5
YP-035-6	6	8	3,1	5	YP-035-12	12	8	3,1	5
YP-035-7	7	8	3,1	5	YP-035-13	13	8	3,1	5
YP-035-8	8	8	3,1	5	YP-035-14	14	8	3,1	5
YP-035-9	9	8	3,1	5	YP-035-15	15	8	3,1	5
YP-035-10	10	8	3,1	5					

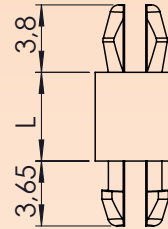
INTERLACED SPACERS



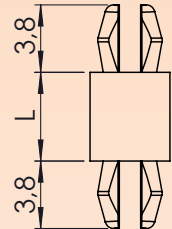
Top / Bottom Hole Dia 3,20 mm
Panel Thickness 1,60 mm



Type A
YP-1132-xx
Double side locked spacer



Type B
YP-1232-xx
One side locked spacer



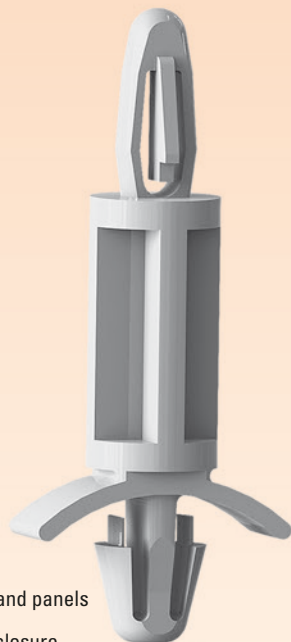
Type C
YP-1332-xx
Double side lockless spacer

Material	PA6 GF15 UL94 V2
Color	Natural
Top / Bottom Panel Thickness	min : 1,57 mm max : 1,65 mm
Top / Bottom Hole Dia	3,20 mm

Code	H (mm)	Top / Bottom Hole Dia (mm)	Panel Thickness(mm)	Type
YP-1132-05	5	3,20	1,60	A
YP-1132-10	10	3,20	1,60	A
YP-1132-15	15	3,20	1,60	A
YP-1132-20	20	3,20	1,60	A
YP-1232-05	5	3,20	1,60	B
YP-1232-10	10	3,20	1,60	B
YP-1232-15	15	3,20	1,60	B
YP-1232-20	20	3,20	1,60	B
YP-1332-05	5	3,20	1,60	C
YP-1332-10	10	3,20	1,60	C
YP-1332-15	15	3,20	1,60	C
YP-1332-20	20	3,20	1,60	C

PLASTIC STRINGED DISTANCES

MATERIAL PA 66
COLOR NATURAL



- Easy mounting in sheet metal enclosures and panels
- Fastens the mounting
- Electrically insulates the PCB from the enclosure
- PCB can be easily detached by special lock mechanism

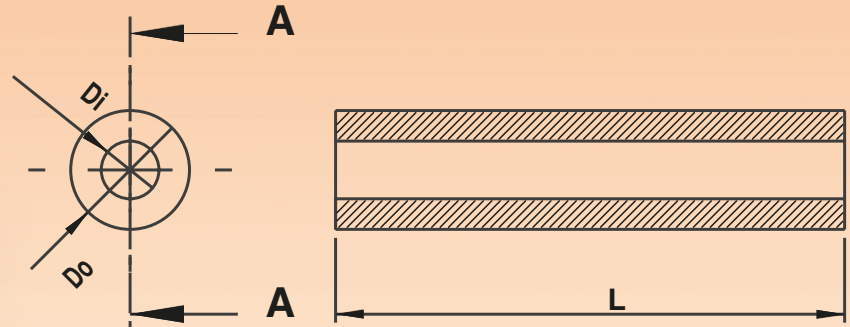
Upper Hole : 4 ± 0.08 mm
Panel Thickness: 2 mm max.



Bottom Hole : 4.75 ± 0.08
Sheet Thickness : 0,8 - 2,0 mm

Code	B mm
YP-805	4,75
YP-810	9,53
YP-816	15,9
YP-822	22,2

PLASTIC SPACERS

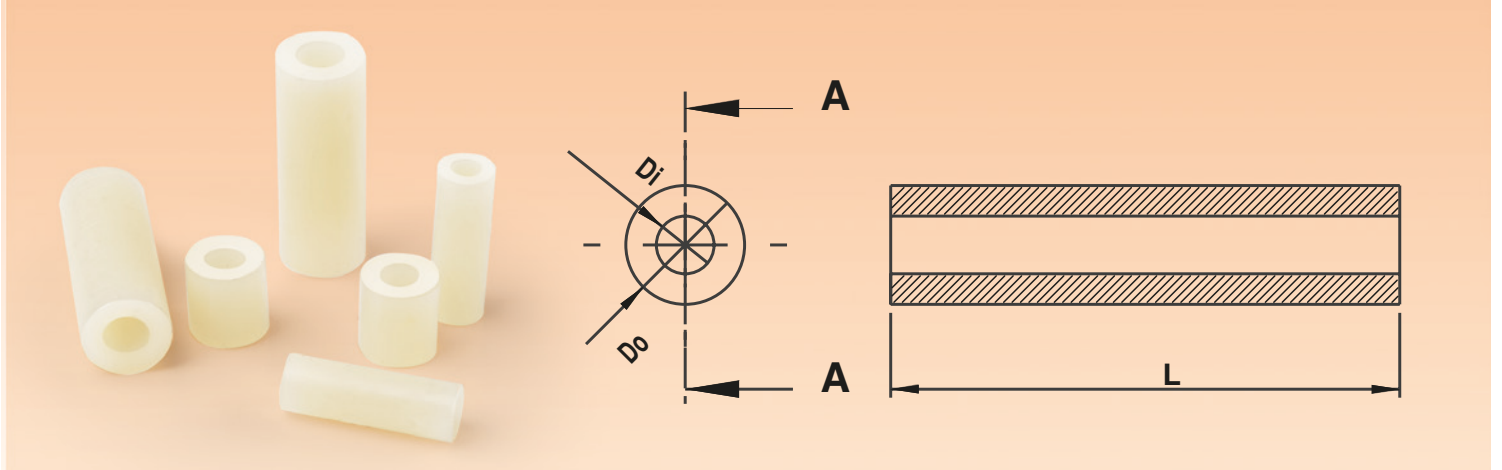


Code	Material	Di	Do	L
YP-605	PA6	2,5	5	5
YP-606	PA6	2,5	5	6
YP-607	PA6	2,5	5	7
YP-608	PA6	2,5	5	8
YP-609	PA6	2,5	5	9
YP-610	PA6	2,5	5	10
YP-611	PA6	2,5	5	11
YP-612	PA6	2,5	5	12
YP-613	PA6	2,5	5	13
YP-614	PA6	2,5	5	14
YP-615	PA6	2,5	5	15
YP-616	PA6	2,5	5	16
YP-617	PA6	2,5	5	17
YP-618	PA6	2,5	5	18
YP-619	PA6	2,5	5	19
YP-620	PA6	2,5	5	20
YP-621	PA6	2,5	5	21
YP-622	PA6	2,5	5	22
YP-623	PA6	2,5	5	23
YP-624	PA6	2,5	5	24
YP-625	PA6	2,5	5	25
YP-630	PA6	2,5	5	30
YP-635	PA6	2,5	5	35
YP-640	PA6	2,5	5	40
YP-645	PA6	2,5	5	45
YP-650	PA6	2,5	5	50

Code	Material	Di	Do	L
YP-701	PA6	3	7	1
YP-702	PA6	3	7	2
YP-703	PA6	3	7	3
YP-704	PA6	3	7	4
YP-705	PA6	3	7	5
YP-706	PA6	3	7	6
YP-708	PA6	3	7	8
YP-710	PA6	3	7	10
YP-712	PA6	3	7	12
YP-715	PA6	3	7	15
YP-720	PA6	3	7	20
YP-725	PA6	3	7	25
YP-730	PA6	3	7	30
YP-735	PA6	3	7	35
YP-740	PA6	3	7	40
YP-745	PA6	3	7	45
YP-750	PA6	3	7	50

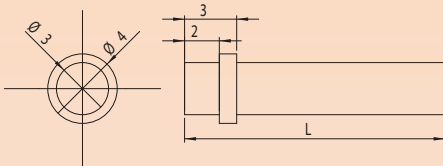
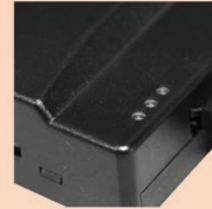
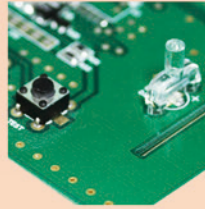
Code	Material	Di	Do	L
YP-905	PA6	4,2	8	5
YP-906	PA6	4,2	8	6
YP-907	PA6	4,2	8	7
YP-908	PA6	4,2	8	8
YP-909	PA6	4,2	8	9
YP-910	PA6	4,2	8	10
YP-911	PA6	4,2	8	11
YP-912	PA6	4,2	8	12
YP-913	PA6	4,2	8	13
YP-914	PA6	4,2	8	14
YP-915	PA6	4,2	8	15
YP-916	PA6	4,2	8	16
YP-917	PA6	4,2	8	17
YP-918	PA6	4,2	8	18
YP-919	PA6	4,2	8	19
YP-920	PA6	4,2	8	20
YP-921	PA6	4,2	8	21
YP-922	PA6	4,2	8	22
YP-923	PA6	4,2	8	23
YP-924	PA6	4,2	8	24
YP-925	PA6	4,2	8	25
YP-930	PA6	4,2	8	30
YP-935	PA6	4,2	8	35
YP-940	PA6	4,2	8	40
YP-945	PA6	4,2	8	45
YP-950	PA6	4,2	8	50

PLASTIC SPACERS



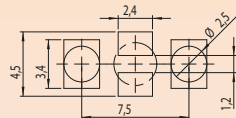
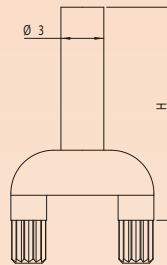
Code	Material	Di	Do	L	Code	Material	Di	Do	L	Code	Material	Di	Do	L
YP-5705	PA6	5,3	8	5	YP-6705	PA6	6,3	10	5	YP-8705	PA6	8,3	12	5
YP-5706	PA6	5,3	8	6	YP-6706	PA6	6,3	10	6	YP-8706	PA6	8,3	12	6
YP-5707	PA6	5,3	8	7	YP-6707	PA6	6,3	10	7	YP-8707	PA6	8,3	12	7
YP-5708	PA6	5,3	8	8	YP-6708	PA6	6,3	10	8	YP-8708	PA6	8,3	12	8
YP-5709	PA6	5,3	8	9	YP-6709	PA6	6,3	10	9	YP-8709	PA6	8,3	12	9
YP-5710	PA6	5,3	8	10	YP-6710	PA6	6,3	10	10	YP-8710	PA6	8,3	12	10
YP-5711	PA6	5,3	8	11	YP-6711	PA6	6,3	10	11	YP-8711	PA6	8,3	12	11
YP-5712	PA6	5,3	8	12	YP-6712	PA6	6,3	10	12	YP-8712	PA6	8,3	12	12
YP-5713	PA6	5,3	8	13	YP-6713	PA6	6,3	10	13	YP-8713	PA6	8,3	12	13
YP-5714	PA6	5,3	8	14	YP-6714	PA6	6,3	10	14	YP-8714	PA6	8,3	12	14
YP-5715	PA6	5,3	8	15	YP-6715	PA6	6,3	10	15	YP-8715	PA6	8,3	12	15
YP-5716	PA6	5,3	8	16	YP-6716	PA6	6,3	10	16	YP-8716	PA6	8,3	12	16
YP-5717	PA6	5,3	8	17	YP-6717	PA6	6,3	10	17	YP-8717	PA6	8,3	12	17
YP-5718	PA6	5,3	8	18	YP-6718	PA6	6,3	10	18	YP-8718	PA6	8,3	12	18
YP-5719	PA6	5,3	8	19	YP-6719	PA6	6,3	10	19	YP-8719	PA6	8,3	12	19
YP-5720	PA6	5,3	8	20	YP-6720	PA6	6,3	10	20	YP-8720	PA6	8,3	12	20
YP-5721	PA6	5,3	8	21	YP-6721	PA6	6,3	10	21	YP-8721	PA6	8,3	12	21
YP-5722	PA6	5,3	8	22	YP-6722	PA6	6,3	10	22	YP-8722	PA6	8,3	12	22
YP-5723	PA6	5,3	8	23	YP-6723	PA6	6,3	10	23	YP-8723	PA6	8,3	12	23
YP-5724	PA6	5,3	8	24	YP-6724	PA6	6,3	10	24	YP-8724	PA6	8,3	12	24
YP-5725	PA6	5,3	8	25	YP-6725	PA6	6,3	10	25	YP-8725	PA6	8,3	12	25
YP-5730	PA6	5,3	8	30	YP-6730	PA6	6,3	10	30	YP-8730	PA6	8,3	12	30
YP-5735	PA6	5,3	8	35	YP-6735	PA6	6,3	10	35	YP-8735	PA6	8,3	12	35
YP-5740	PA6	5,3	8	40	YP-6740	PA6	6,3	10	40	YP-8740	PA6	8,3	12	40
YP-5745	PA6	5,3	8	45	YP-6745	PA6	6,3	10	45	YP-8745	PA6	8,3	12	45
YP-5750	PA6	5,3	8	50	YP-6750	PA6	6,3	10	50	YP-8750	PA6	8,3	12	50

LED PIPES



Dia 3 mm led pipe mountet from inside

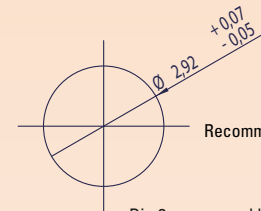
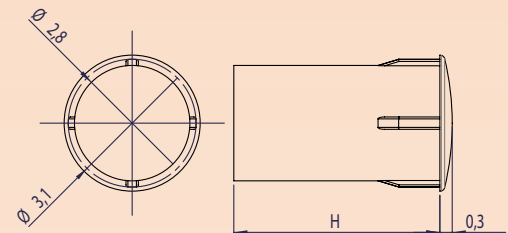
Code	L	Pack
LG-07	7	250
LG-08	8	250
LG-09	9	250
LG-10	10	250
LG-11	11	250
LG-12	12	250
LG-13	13	250
LG-14	14	250
LG-15	15	250
LG-16	16	250
LG-17	17	250
LG-18	18	250
LG-19	19	250
LG-20	20	250
LG-21	21	250
LG-22	22	250
LG-23	23	250
LG-24	24	250
LG-25	25	250
LG-26	26	250
LG-30	30	250
LG-35	35	250
LG-40	40	250
LG-45	45	250
LG-50	50	250



PCB placement

Dia 3 mm led pipe with foot

Code	H	Pack
LG-110	10	250
LG-111	11	250
LG-112	12	250
LG-114	14	250
LG-116	16	250
LG-118	18	250
LG-120	20	250
LG-123	23	250
LG-125	25	250
LG-130	30	250

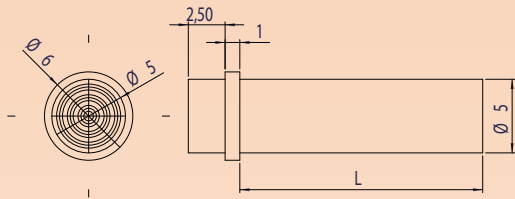


Recommended Mounting Hole

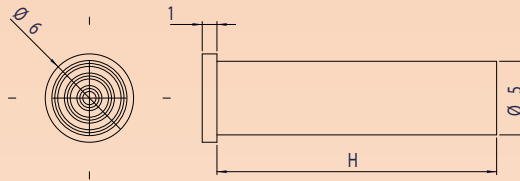
Dia 3 mm curved led pipe

Code	H	Pack
LG-2050	5	250
LG-2060	6	250
LG-2070	7	250
LG-2080	8	250
LG-2090	9	250
LG-2100	10	250
LG-2110	11	250
LG-2120	12	250
LG-2130	13	250
LG-2140	14	250
LG-2150	15	250
LG-2175	17,5	250
LG-2200	20	250
LG-2225	22,5	250
LG-2250	25	250
LG-2275	27,5	250
LG-2300	30	250
LG-2325	32,5	250
LG-2350	35	250

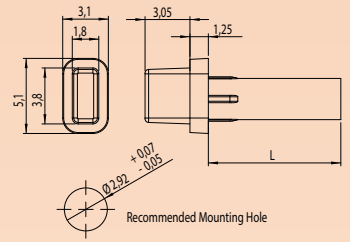
LED PIPES



Dia 5 mm led pipe mounted from inside



Dia 5 mm led pipe with flash



Dia 3 mm rectangular led pipe

Code	L	Pack
LG-5005	5	250
LG-5006	6	250
LG-5007	7	250
LG-5008	8	250
LG-5009	9	250
LG-5010	10	250
LG-5011	11	250
LG-5012	12	250
LG-5013	13	250
LG-5014	14	250
LG-5015	15	250
LG-5016	16	250
LG-5017	17	250
LG-5018	18	250

Code	L	Pack
LG-5019	19	250
LG-5020	20	250
LG-5021	21	250
LG-5022	22	250
LG-5023	23	250
LG-5024	24	250
LG-5025	25	250
LG-5026	26	250
LG-5030	30	250
LG-5035	35	250
LG-5040	40	250
LG-5045	45	250
LG-5050	50	250

Code	L	Pack
LG-5105	5	250
LG-5106	6	250
LG-5107	7	250
LG-5108	8	250
LG-5109	9	250
LG-5110	10	250
LG-5111	11	250
LG-5112	12	250
LG-5113	13	250
LG-5114	14	250
LG-5115	15	250
LG-5116	16	250
LG-5117	17	250
LG-5118	18	250

Code	L	Pack
LG-5119	19	250
LG-5120	20	250
LG-5121	21	250
LG-5122	22	250
LG-5123	23	250
LG-5124	24	250
LG-5125	25	250
LG-5126	26	250
LG-5130	30	250
LG-5135	35	250
LG-5140	40	250
LG-5145	45	250
LG-5150	50	250

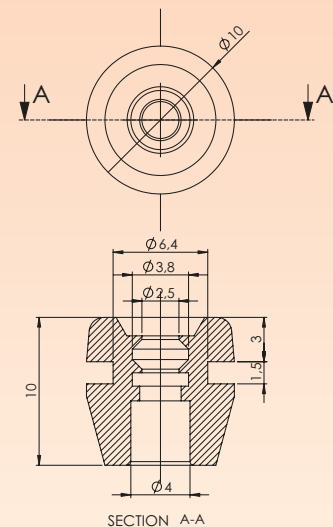
Code	L	Pack
LG-2505	5	250
LG-2506	6	250
LG-2507	7	250
LG-2508	8	250
LG-2509	9	250
LG-2510	10	250
LG-2511	11	250
LG-2512	12	250
LG-2513	13	250
LG-2514	14	250
LG-2515	15	250
LG-2516	16	250
LG-2517	17,5	250
LG-2520	20	250
LG-2522	22,5	250
LG-2525	25	250
LG-2527	27,5	250
LG-2530	30	250
LG-2532	32,5	250
LG-2535	35	250

LG-310

3 mm LED SEAL



LG-310



Code	Di	Do	H (mm)
IN-203	M2	3.60	3
IN-254	M2.5	4.60	4
A-651	M3	4.60	5.75
A-649	M4	6.30	4
A-650	M4	6.30	8
IN-506	M5	7.07	5.8
IN-607	M6	8.67	6.8
IN-509	M5	7.07	9.5

BRASS INSERTS

- Ultrasonic press, suitable to put in the mold during heat press and injection

IN-483

BLIND INSERT

- Fits tightly into the appropriate hole in the plastic
- Screw is fixed by expanding when it is inserted

Code	Di (mm)	Do (mm)	H (mm)	D1 (mm)	S (mm)
IN-347	M3	4,3	4,76	Ø4	3,2
IN-479	M4	5,95	7,9	Ø5,6	4

EXPANSION INSERT

A-58 A-59

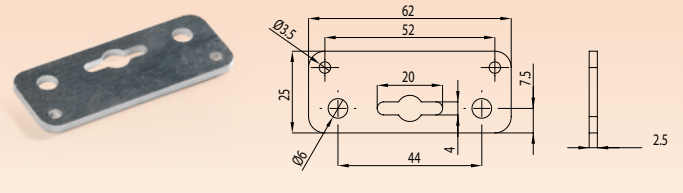
WALL MOUNTING PARTS

A-58	WALL MOUNT WITH NAILS
A-59	WALL MOUNT WITH SCREWS



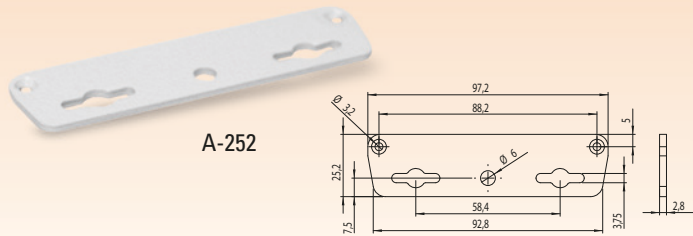
A-251

EXTRA MOUNTING FEET



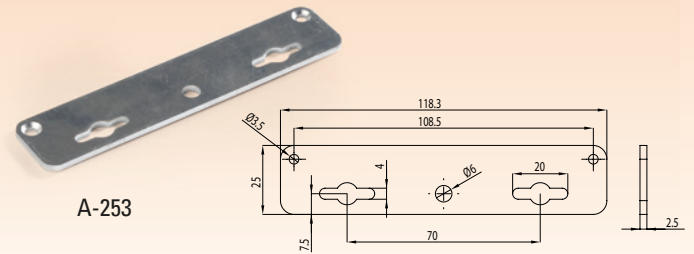
A-252

EXTRA MOUNTING FEET



A-253

EXTRA MOUNTING FEET



A-366

WALL MOUNTING KIT

Color	LIGHT GRAY / BLACK
Material	ABS

A-366



A-368

WALL MOUNTING KIT

Color	LIGHT GRAY / BLACK
Material	ABS

A-368



A-372

WALL MOUNTING KIT

Color	LIGHT GRAY / BLACK
Material	ABS / SHEET METAL

A-372



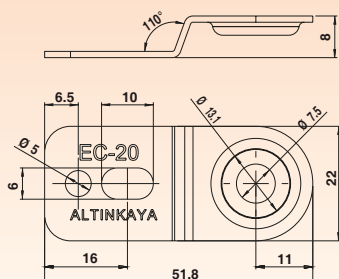
A-782

DETACHABLE LEG



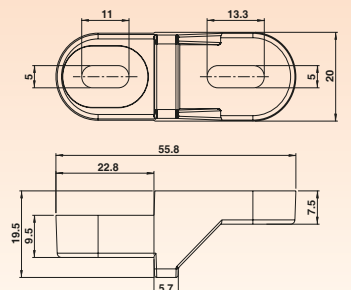
EC-20

ALUMINUM MOUNTING EAR



EC-22

PLASTIC MOUNTING EAR



A-782

SUSPENDED CEILING KIT

Color LIGHT GRAY



A-782

A-345

METAL CORNER MOUNTING

Material Metal



A-345

A-350

SMALL ANGLE BASE

Color LIGHT GRAY / BLACK

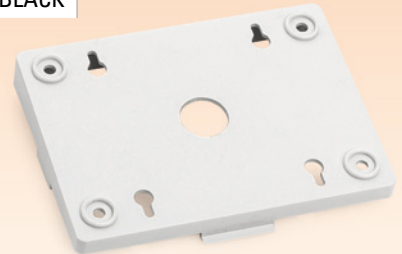


A-350

A-355

LARGE ANGLE BASE

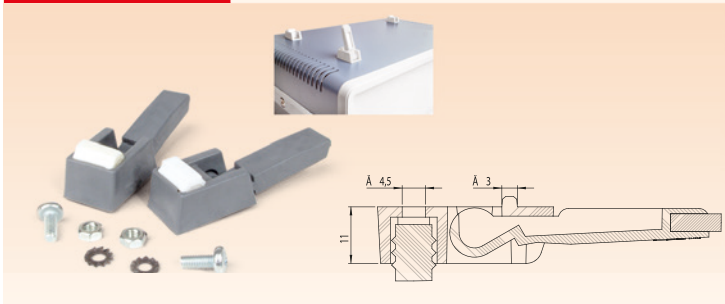
Color LIGHT GRAY / BLACK



A-355

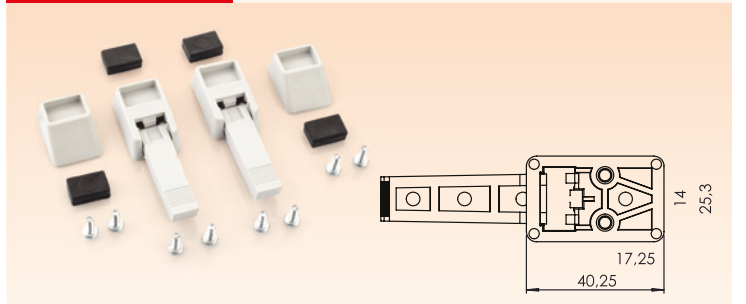
A-951

TILTING FEET SET



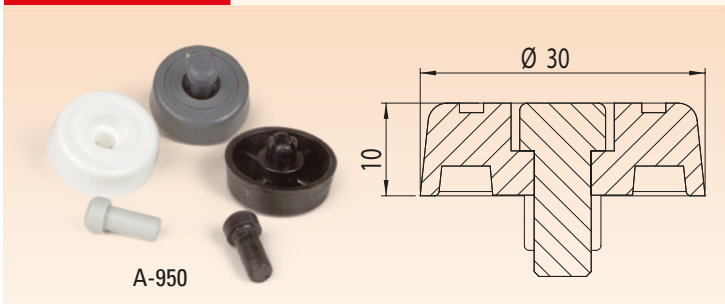
A-952

TILTING FEET SET



A-950

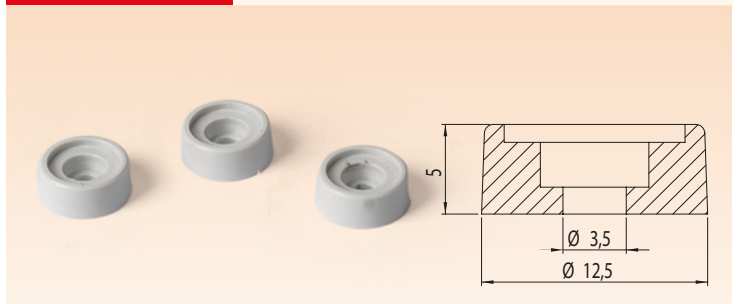
BUMPER FEET



A-950

A-82

PLASTIC FEET



A-83

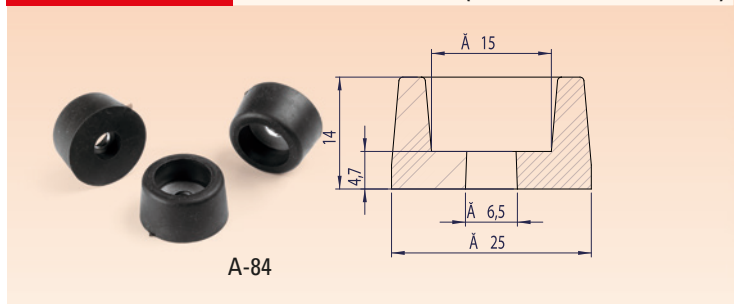
RUBBER FEET (WITH METAL WASHER)



A-83

A-84

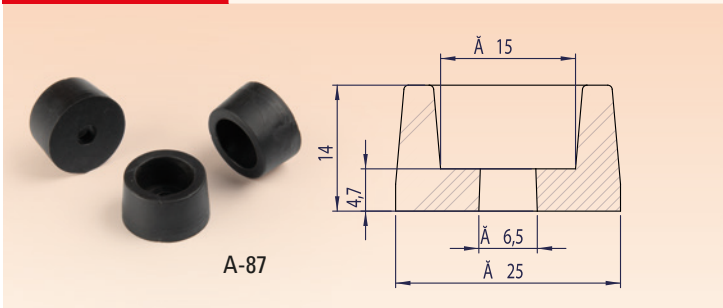
RUBBER FEET (WITH METAL WASHER)



A-84

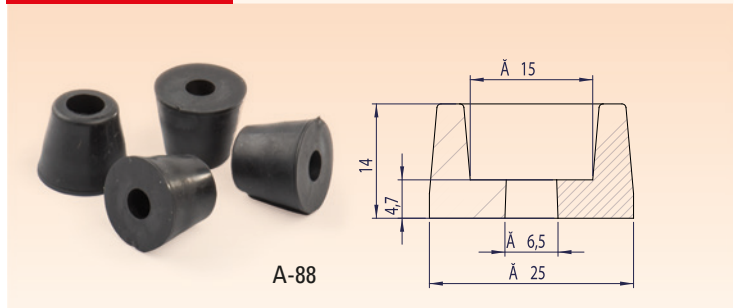
A-87

RUBBER FEET



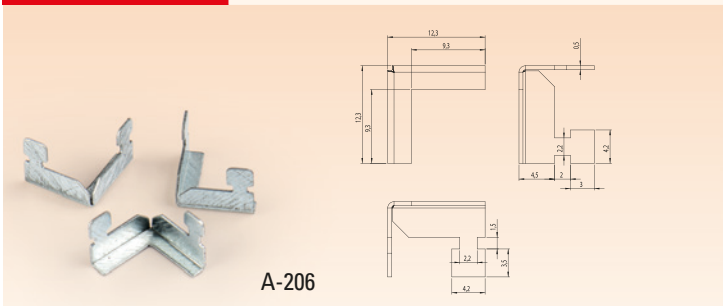
A-88

**RUBBER FEET
(WITH METAL WASHER)**



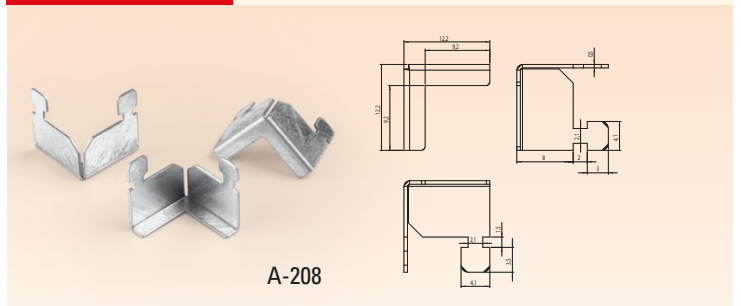
A-206

LCD MOUNTING CORNER FEET



A-208

LCD MOUNTING CORNER FEET



A-410

RACK ANCHER



A-310

PLASTIC VENTILATION



A-49 / A-50

BATTERY COVERS



A-80 / A-81

TRIMPOT BARS



A-110 / A-111

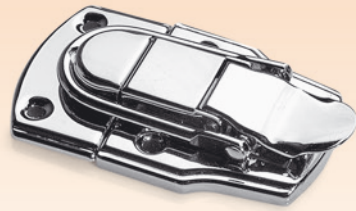
POT BUTTONS



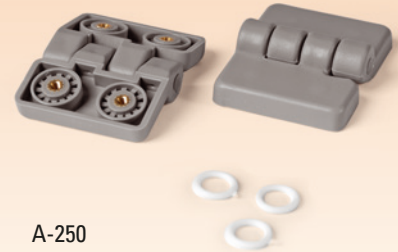
A-190 / A-191

BELT CLIPS



A-45
NICKEL PLATED METAL LOCK


A-45

A-250
SEALED HINGE


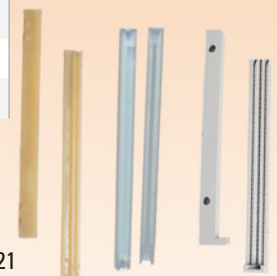
A-250

A-700 SERİSİ
PLASTIC BUTTONS

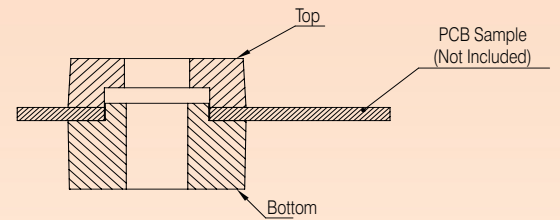
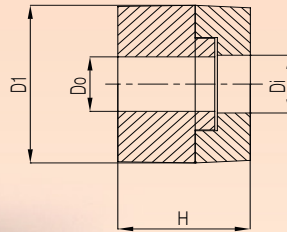
A-700	LARGE TRIANGLE BUTTON	A-702	SMALL TRIANGLE BUTTON
A-701	LARGE RECTANGLE BUTTON	A-703	SMALL RECTANGLE BUTTON


A-921
CARD RAILS

A-921	PLASTIC CARD RAIL (FLAT)
A-922	PLASTIC CARD RAIL (2 RAILS)
A-923	4,5" PLASTIC CARD RAIL



A-921



• E ases to isolate the PCB from the enclosure

Code	Di (mm)	Do (mm)	D1 (mm)	H (mm)
A-124	Ø5	Ø5	Ø17,5	14
A-126	Ø7	Ø6,6	Ø19,4	14,7

ISOLATION WASHERS

RF ENCLOSURES

RF-080

RF-060

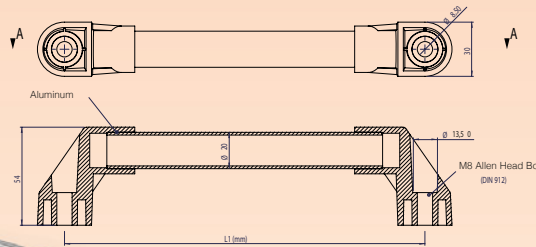
RF-022

Code	W (mm)	L (mm)	H (mm)
RF-020	12	20	6,3
RF-022	20	22	2,5
RF-060	32	42	8
RF-080	23.5	145	5.5

• Any sizes can be manufactured.

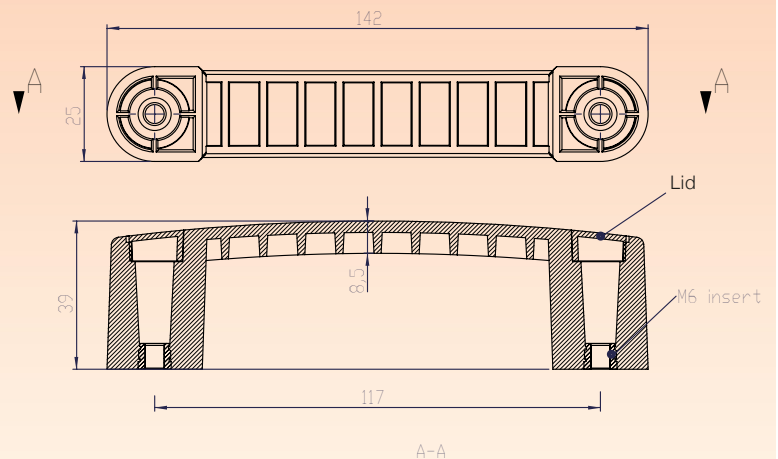
A-330 HANDLE

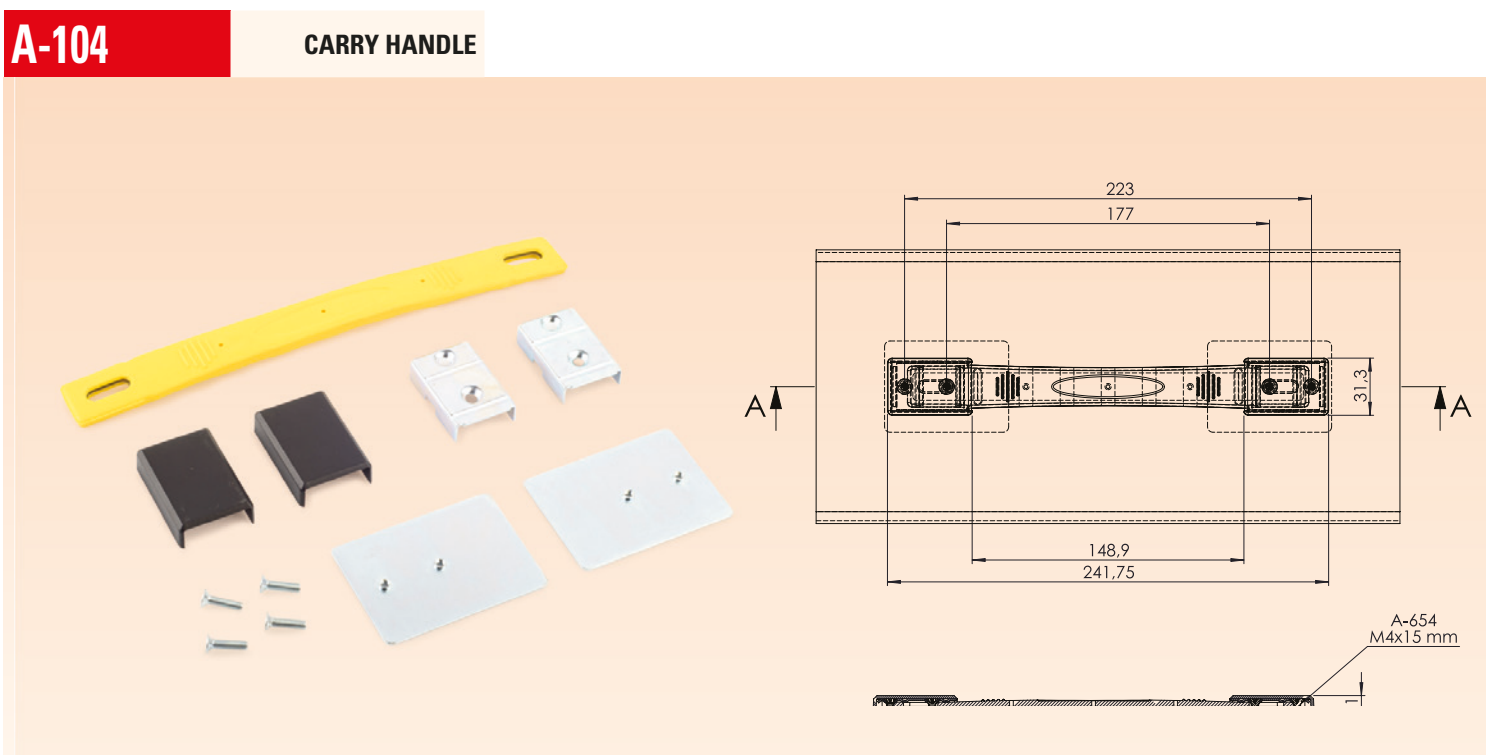
MATERIAL ABS / ALUMINUM
COLOR BLACK



Code	L1
A-330-20	200
A-330-30	300
A-330-40	400
A-330-50	500
A-330-70	700

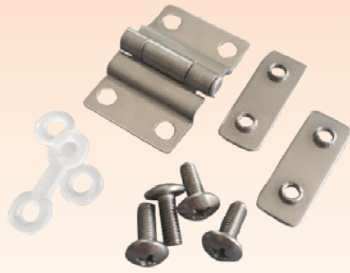
A-332 HANDLE





KL-40

STAINLESS HINGE SET



KL-40

KL-50

STAINLESS LATCH (compatible with EC-1515, EC-1722 and EC-2818)



KL-50

KL-55

STAINLESS LATCH SET (SMALL)



KL-55

KL-60

STAINLESS HOOK SET



KL-60

KL-70

STAINLESS LATCH (compatible with EC-2828, EC-3040 and EC-4050)



KL-70

KL-75

STAINLESS LATCH SET (LARGE)



KL-75

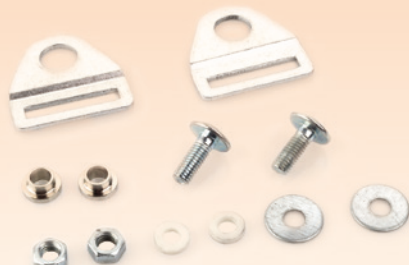


VK-24

VK-24

NECK HANGER

CONTROL ENCLOSURE



A-430

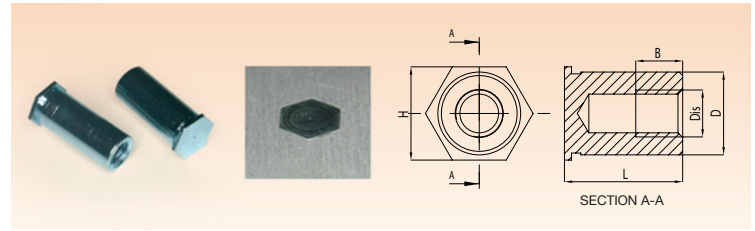
A-430

HANGER KIT

NECK HANGER

LOCK OFF SPACER

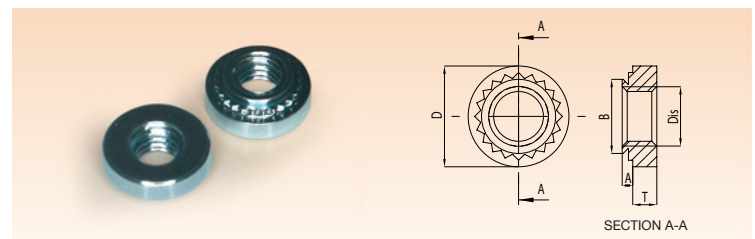
The plate thickness should be at least as shown in the min plate thickness.
 The diameter of the mounting hole must be within the tolerance given.
 The hole to be mounted should not be deburred.
 The distance to the edge of the sheet must be at least as specified.
 Material steel surface coating Cr3+ Zinc plated.



Code	Thread Size (mm)	L +0.05/-0.13 (mm)	H (Norm)	D -0.13 (mm)	Min. Plate Thickness (mm)	Hole Size on Plate +0.08 (mm)	Distance Between The Center of Hole and The Side of Plate (mm)
BSO-M3-6	M3x6	6	4,8	4,2	1,02	4,22	6
BSO-M3-8	M3x8	8	4,8	4,2	1,02	4,22	6
BSO-M3-10	M3x10	10	4,8	4,2	1,02	4,22	6
BSO-M3-12	M3x12	12	4,8	4,2	1,02	4,22	6
BSO-M3-14	M3x14	14	4,8	4,2	1,02	4,22	6
BSO-M3-16	M3x16	16	4,8	4,2	1,02	4,22	6
BSO-M3-18	M3x18	18	4,8	4,2	1,02	4,22	6
BSO-M3-20	M3x20	20	4,8	4,2	1,02	4,22	6
BSO-M3-22	M3x22	22	4,8	4,2	1,02	4,22	6
BSO-M3-24	M3x24	24	4,8	4,2	1,02	4,22	6
BSO-M3-25	M3x25	25	4,8	4,2	1,02	4,22	6
BSO-M3-26	M3x26	26	4,8	4,2	1,02	4,22	6
BSO-M4-6	M4x6	6	7,9	7,12	1,27	7,14	8
BSO-M4-8	M4x8	8	7,9	7,12	1,27	7,14	8
BSO-M4-10	M4x10	10	7,9	7,12	1,27	7,14	8
BSO-M4-12	M4x12	12	7,9	7,12	1,27	7,14	8
BSO-M4-14	M4x14	14	7,9	7,12	1,27	7,14	8
BSO-M4-16	M4x16	16	7,9	7,12	1,27	7,14	8
BSO-M4-18	M4x18	18	7,9	7,12	1,27	7,14	8
BSO-M4-20	M4x20	20	7,9	7,12	1,27	7,14	8
BSO-M4-22	M4x22	22	7,9	7,12	1,27	7,14	8
BSO-M4-24	M4x24	24	7,9	7,12	1,27	7,14	8
BSO-M4-25	M4x25	25	7,9	7,12	1,27	7,14	8
BSO-M4-26	M4x26	26	7,9	7,12	1,27	7,14	8
BSO-M5-6	M5x6	6	7,9	7,12	1,27	7,14	8
BSO-M5-8	M5x8	8	7,9	7,12	1,27	7,14	8
BSO-M5-10	M5x10	10	7,9	7,12	1,27	7,14	8
BSO-M5-12	M5x12	12	7,9	7,12	1,27	7,14	8
BSO-M5-14	M5x14	14	7,9	7,12	1,27	7,14	8
BSO-M5-16	M5x16	16	7,9	7,12	1,27	7,14	8
BSO-M5-18	M5x18	18	7,9	7,12	1,27	7,14	8
BSO-M5-20	M5x20	20	7,9	7,12	1,27	7,14	8
BSO-M5-22	M5x22	22	7,9	7,12	1,27	7,14	8
BSO-M5-24	M5x24	24	7,9	7,12	1,27	7,14	8
BSO-M5-25	M5x25	25	7,9	7,12	1,27	7,14	8
BSO-M5-26	M5x26	26	7,9	7,12	1,27	7,14	8

LOCK OFF NUTS

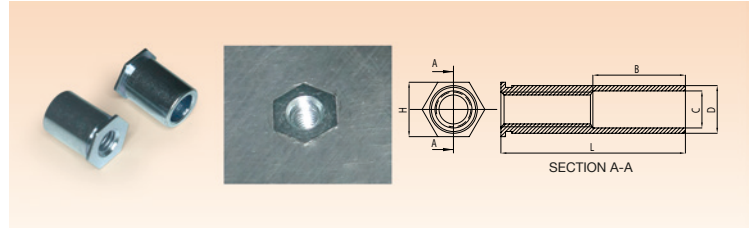
The plate thickness should be at least as shown in the min plate thickness.
 The diameter of the mounting hole must be within the tolerance given.
 The hole to be mounted should not be deburred.
 The distance to the edge of the sheet must be at least as specified.
 Material steel surface coating Cr3+ Zinc plated.



Code	Thread Size (mm)	A (Shank) Max. (mm)	Min. Plate Thickness (mm)	Mounting Hole Dia +0.08 (mm)	D ±0.25 (mm)	B Max. (mm)	T ±0.25 (mm)	Min. Distance Between The Center of Hole and The Side of Plate (mm)
S-M3-1	M3x1	0,97	1	4,25	6,3	4,22	1,5	4,8
S-M4-1	M4x1	0,97	1	5,4	7,9	5,38	2	6,9
S-M5-1	M5x1	0,97	1	6,4	8,7	6,34	2	7,1
S-M6-1	M6x1	1,15	1,2	8,75	11,05	8,72	4,08	8,6
S-M8-1.25	M8x1.25	1,38	1,4	10,5	12,65	10,44	5,47	9,5

FLASH ON SPACER

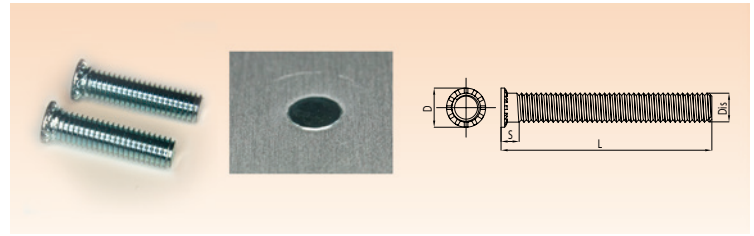
The plate thickness should be at least as shown in the min plate thickness.
 The diameter of the mounting hole must be within the tolerance given.
 The hole to be mounted should not be deburred.
 The distance to the edge of the sheet must be at least as specified.
 Material steel surface coating Cr3+ Zinc plated.



Code	Thread Size (mm)	L +0.05/-0.13 (mm)	H (Norm)	D -0.13 (mm)	C ±0.13 (mm)	Min. Plate Thickness (mm)	Hole Size on Plate +0.08 (mm)	Min. Distance Between The Center of Hole and The Side of Plate (mm)
SO-M3-3	M3x3	3	4,8	4,2	3,2	1,02	4,22	6
SO-M3-4	M3x4	4	4,8	4,2	3,2	1,02	4,22	6
SO-M3-6	M3x6	6	4,8	4,2	3,2	1,02	4,22	6
SO-M3-8	M3x8	8	4,8	4,2	3,2	1,02	4,22	6
SO-M3-10	M3x10	10	4,8	4,2	3,2	1,02	4,22	6
SO-M3-12	M3x12	12	4,8	4,2	3,2	1,02	4,22	6
SO-M3-14	M3x14	14	4,8	4,2	3,2	1,02	4,22	6
SO-M3-16	M3x16	16	4,8	4,2	3,2	1,02	4,22	6
SO-M3-18	M3x18	18	4,8	4,2	3,2	1,02	4,22	6
SO-M4-3	M4x3	3	7,9	7,12	4,8	1,27	7,14	8
SO-M4-4	M4x4	4	7,9	7,12	4,8	1,27	7,14	8
SO-M4-6	M4x6	6	7,9	7,12	4,8	1,27	7,14	8
SO-M4-8	M4x8	8	7,9	7,12	4,8	1,27	7,14	8
SO-M4-10	M4x10	10	7,9	7,12	4,8	1,27	7,14	8
SO-M4-12	M4x12	12	7,9	7,12	4,8	1,27	7,14	8
SO-M4-14	M4x14	14	7,9	7,12	4,8	1,27	7,14	8
SO-M4-16	M4x16	16	7,9	7,12	4,8	1,27	7,14	8
SO-M4-18	M4x18	18	7,9	7,12	4,8	1,27	7,14	8
SO-M4-20	M4x20	20	7,9	7,12	4,8	1,27	7,14	8
SO-M4-22	M4x22	22	7,9	7,12	4,8	1,27	7,14	8
SO-M4-25	M4x25	25	7,9	7,12	4,8	1,27	7,14	8
SO-M5-3	M5x3	3	7,9	7,12	5,35	1,27	7,14	8
SO-M5-4	M5x4	4	7,9	7,12	5,35	1,27	7,14	8
SO-M5-6	M5x6	6	7,9	7,12	5,35	1,27	7,14	8
SO-M5-8	M5x8	8	7,9	7,12	5,35	1,27	7,14	8
SO-M5-10	M5x10	10	7,9	7,12	5,35	1,27	7,14	8
SO-M5-12	M5x12	12	7,9	7,12	5,35	1,27	7,14	8
SO-M5-14	M5x14	14	7,9	7,12	5,35	1,27	7,14	8
SO-M5-16	M5x16	16	7,9	7,12	5,35	1,27	7,14	8
SO-M5-18	M5x18	18	7,9	7,12	5,35	1,27	7,14	8
SO-M5-20	M5x20	20	7,9	7,12	5,35	1,27	7,14	8
SO-M5-22	M5x22	22	7,9	7,12	5,35	1,27	7,14	8
SO-M5-25	M5x25	25	7,9	7,12	5,35	1,27	7,14	8

LOCK OFF SCREWS

The plate thickness should be at least as shown in the min plate thickness.
 The diameter of the mounting hole must be within the tolerance given.
 The hole to be mounted should not be deburred.
 The distance to the edge of the sheet must be at least as specified.
 Material steel surface coating Cr3+ Zinc plated.

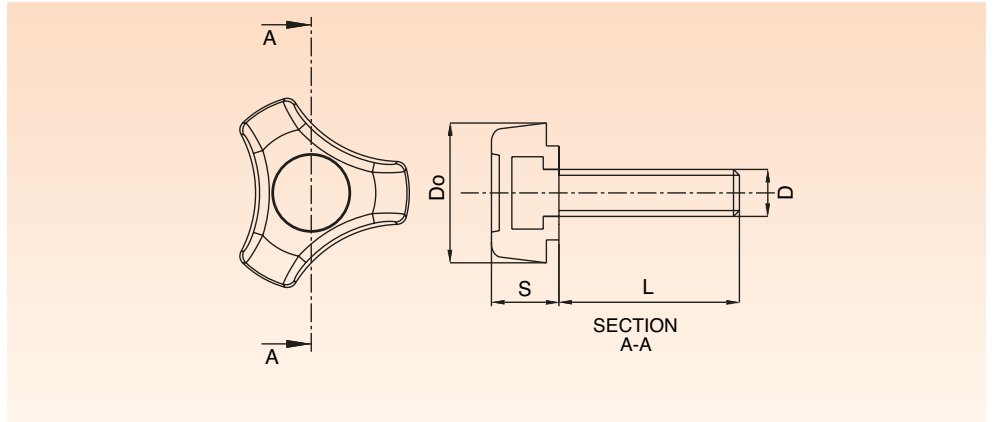


Code	Thread Size (mm)	L ±0.4 (mm)	D ±0.4 (mm)	S Max.	Min. Plate Thickness (mm)	Hole Size on Plate +0.08 (mm)	Max. Hole in Attach Part (mm)	Min. Distance from Center of Hole to Side of Plate (mm)
FH-M3-6	M3x6	6	4,6	2,1	1	3	3,6	5,6
FH-M3-8	M3x8	8	4,6	2,1	1	3	3,6	5,6
FH-M3-10	M3x10	10	4,6	2,1	1	3	3,6	5,6
FH-M3-12	M3x12	12	4,6	2,1	1	3	3,6	5,6
FH-M3-15	M3x15	15	4,6	2,1	1	3	3,6	5,6
FH-M3-18	M3x18	18	4,6	2,1	1	3	3,6	5,6
FH-M3-20	M3x20	20	4,6	2,1	1	3	3,6	5,6
FH-M3-25	M3x25	25	4,6	2,1	1	3	3,6	5,6
FH-M3-30	M3x30	30	4,6	2,1	1	3	3,6	5,6
FH-M4-6	M4x6	6	5,9	2,4	1	4	4,6	7,2
FH-M4-8	M4x8	8	5,9	2,4	1	4	4,6	7,2
FH-M4-10	M4x10	10	5,9	2,4	1	4	4,6	7,2
FH-M4-12	M4x12	12	5,9	2,4	1	4	4,6	7,2
FH-M4-15	M4x15	15	5,9	2,4	1	4	4,6	7,2
FH-M4-18	M4x18	18	5,9	2,4	1	4	4,6	7,2
FH-M4-20	M4x20	20	5,9	2,4	1	4	4,6	7,2
FH-M4-25	M4x25	25	5,9	2,4	1	4	4,6	7,2
FH-M4-30	M4x30	30	5,9	2,4	1	4	4,6	7,2
FH-M4-35	M4x35	35	5,9	2,4	1	4	4,6	7,2
FH-M5-8	M5x8	8	6,5	2,7	1	5	5,6	7,2
FH-M5-10	M5x10	10	6,5	2,7	1	5	5,6	7,2
FH-M5-12	M5x12	12	6,5	2,7	1	5	5,6	7,2
FH-M5-15	M5x15	15	6,5	2,7	1	5	5,6	7,2
FH-M5-18	M5x18	18	6,5	2,7	1	5	5,6	7,2
FH-M5-20	M5x20	20	6,5	2,7	1	5	5,6	7,2
FH-M5-25	M5x25	25	6,5	2,7	1	5	5,6	7,2
FH-M5-30	M5x30	30	6,5	2,7	1	5	5,6	7,2
FH-M5-35	M5x35	35	6,5	2,7	1	5	5,6	7,2
FH-M6-10	M6x10	10	8,2	3	1,6	6	6,6	7,9
FH-M6-12	M6x12	12	8,2	3	1,6	6	6,6	7,9
FH-M6-15	M6x15	15	8,2	3	1,6	6	6,6	7,9
FH-M6-18	M6x18	18	8,2	3	1,6	6	6,6	7,9
FH-M6-20	M6x20	20	8,2	3	1,6	6	6,6	7,9
FH-M6-25	M6x25	25	8,2	3	1,6	6	6,6	7,9
FH-M6-30	M6x30	30	8,2	3	1,6	6	6,6	7,9
FH-M6-35	M6x35	35	8,2	3	1,6	6	6,6	7,9
FH-M8-10	M8x10	10	9,6	3,7	2,4	8	8,6	9,6
FH-M8-12	M8x12	12	9,6	3,7	2,4	8	8,6	9,6
FH-M8-15	M8x15	15	9,6	3,7	2,4	8	8,6	9,6
FH-M8-18	M8x18	18	9,6	3,7	2,4	8	8,6	9,6
FH-M8-20	M8x20	20	9,6	3,7	2,4	8	8,6	9,6
FH-M8-25	M8x25	25	9,6	3,7	2,4	8	8,6	9,6
FH-M8-30	M8x30	30	9,6	3,7	2,4	8	8,6	9,6
FH-M8-35	M8x35	35	9,6	3,7	2,4	8	8,6	9,6



PLASTIC HEADED SCREWS

Code	D	Do	L	S
VD - 640 - 10	4	13	10	6,5
VD - 640 - 15	4	13	15	6,5
VD - 640 - 20	4	13	20	6,5
VD - 640 - 25	4	13	25	6,5
VD - 640 - 30	4	13	30	6,5
VD - 650 - 9	5	18	9	7
VD - 650 - 12	5	16	12	6
VD - 650 - 17	5	16	17	6
VD - 660 - 8	6	25	8	8,65
VD - 660 - 14	6	25	14	8,65
VD - 660 - 18	6	25	18	8,65
VD - 660 - 23	6	25	23	8,65
VD - 660 - 28	6	25	28	8,65
VD - 680 - 8	8	33	8	11
VD - 680 - 14	8	33	14	11
VD - 680 - 18	8	33	18	11
VD - 680 - 23	8	33	23	11
VD - 680 - 28	8	33	28	11



- M4-M5-M6 and M8 Plastic headed screw
- Made of high quality ABS material
- White and black color option

SCREWS



VD-3300
3mm Torx TSB
Alu Screw

IN PACK 250 PCS
COLOR METALLIC
BLACK



VD-3400
4mm Torx TSB
Alu Screw

IN PACK 250 ADET
COLOR METALLIC
BLACK



VD-4400
4mm Torx THB
Alu Screw

IN PACK 250 ADET
COLOR METALLIC
BLACK



A-662
2,5 x 5 mm YCB PLS
Combi PCB Screw

IN PACK 500 PCS
COLOR METALLIC



A-637
2,2 x 6,5 mm YSB
Screw

IN PACK 1250 PCS
COLOR BLACK



A-611
2,2 x 6 mm YSB
Screw

IN PACK 500 PCS
COLOR BLACK



A-617
2,2 x 9,5 mm YHB Screw

IN PACK 1000 PCS
COLOR METALLIC /
BLACK



A-62
2,2 x 13 mm YHB Screw

IN PACK 500 PCS
COLOR METALLIC /
BLACK



A-601
2,9 x 9,5 mm YSB
Screw

IN PACK 350 PCS
COLOR METALLIC



A-635
2,9 x 9,5 mm YHB Screw

IN PACK 500 PCS
COLOR METALLIC /
BLACK



A-624
2,9 x 25 mm YHB Screw

IN PACK 350 PCS
COLOR METALLIC /
BLACK



A-618
3 x 6,5 mm PYSB
Screw

IN PACK 400 PCS
COLOR METALLIC /
BLACK



A-614
3 x 9,5 mm PYSB Screw

IN PACK 300 PCS
COLOR METALLIC /
BLACK



A-63
3 x 16 mm PYSB
Screw

IN PACK 500 PCS
COLOR METALLIC /
BLACK



A-69
3 x 25 mm YHB Screw

IN PACK 300 PCS
COLOR METALLIC



A-630
3,5 x 16 mm PYSB Screw

IN PACK 350 PCS
COLOR METALLIC



A-66
3,5 x 35 mm YHB
Screw

IN PACK 150 PCS
COLOR METALLIC



A-632
2,5 x 5 mm YCB PLS
Combi PCB Screw

IN PACK 300 PCS
COLOR METTALIC



A-622
M3 x 6 mm YSB Screw

IN PACK 400 PCS
COLOR METALLIC



A-656
M3 x 8 mm YSB
Screw

IN PACK 300 PCS
COLOR METALLIC



A-603
M3 x 8 mm YHB
Screw

IN PACK 500 PCS
COLOR METALLIC



A-653
M3 x 12 mm YSB Screw

IN PACK 500 PCS
COLOR METALLIC



A-648
M4 x 16 mm CSB
Stainless Screw

IN PACK 250 PCS
COLOR METALLIC



A-665
M4 x 22 mm
CSB Stainless
Screw

IN PACK 200 PCS
COLOR METALLIC

Products are partially listed above, please visit our website for other types. Contact our sales team for more details.



ENCLOSURES FOR ELECTRONICS

ALTINKAYA ELEKTRONİK CİHAZ KUTULARI SAN. TİC. A.Ş

Head Office

İvedik OSB 1469 Cad. No:10 06378
Yenimahalle - ANKARA - TÜRKİYE
Tel : +90 312 395 27 68
Fax : +90 850 811 56 11

📍 39.9936,32.7345

İstanbul Showroom

Okçu Musa Cad. No: 2 Kat: 6
Şişhane 34420
Beyoğlu - İSTANBUL - - TÜRKİYE
Tel: +90 212 238 98 94

📍 41.0274,28.9715

Factory

Sincan 1. Organize Sanayi Bölgesi
Avar Cad. No:14 06935
Sincan - ANKARA - - TÜRKİYE
Tel: +90 312 267 2040

📍 39.9808,32.5467

📞 +90 538 253 12 88

www.altinkaya.eu

sales@altinkaya.eu

