

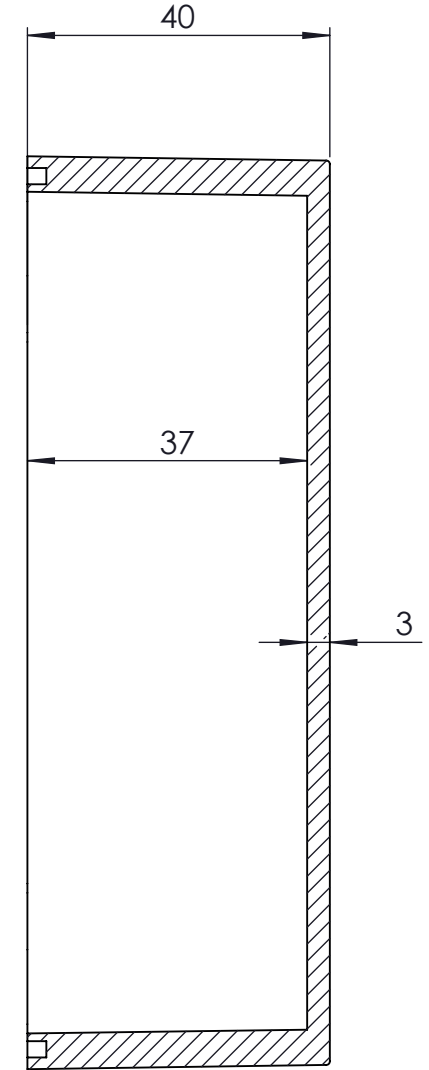
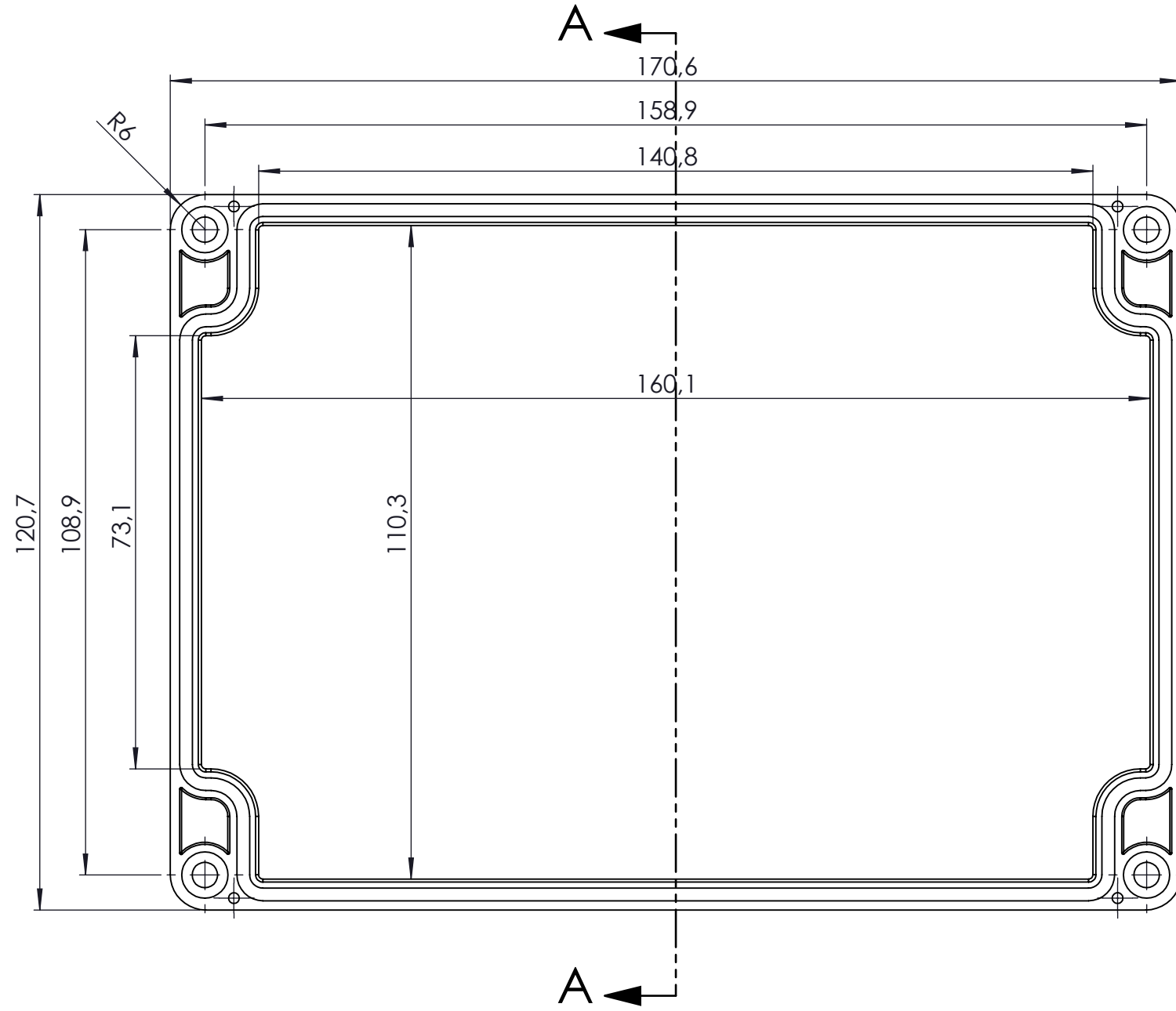
4x M4 insert

R6,5

| | | | |
|---|--|--|--------------|
| PROPRIETARY AND CONFIDENTIAL THE INFORMATION CONTAINED IN THIS DRAWING IS THE SOLE PROPERTY OF ALTINKAYA ENCLOSURES. ANY REPRODUCTION IN PART OR AS A WHOLE WITHOUT THE WRITTEN PERMISSION OF ALTINKAYA ENCLOSURES IS PROHIBITED. | | ARTICLE NO: | REVISION: |
| DRAWN Hayri BAL 18.12.19 CHECKED Dursun Daşdemir 18.12.19 | | CONTACT: www.altinkaya.com.tr | TITLE: |
| COMMENTS: This drawing is subject to technical modification without prior notice. Typographical and other errors do not justify any claims for damages. All dimensions should be verified using an actual produced part. | | SF-238 IP-67 Heavy Duty Enclosure | |
| MATERIAL: | | DWG NO. | A3 |
| WEIGHT: | | SCALE:1:1 | SHEET 1 OF 1 |

DİKKAT: BU RESİM VE ÜRÜN ÖNCEDEN
 HABER VERİLMEKSİZİN DEĞİŞTİRİLEBİLİR.
 RESİM ÇİZİLERKEN HATASIZ OLMASINA
 ÇALIŞILMASINA RAĞMEN RESİMDE
 HATALAR BULUNABİLİR. RESİMDEKİ
 HATALARDAN DOLAYI OLUŞABİLECEK
 ZARARLAR İÇİN ALTINKAYA HIÇ BİR
 SORUMLULUK KABUL ETMEZ. BÜTÜN
 ÖLÇÜLER KULLANILMADAN ÖNCE
 ÜRETİLMİŞ GERÇEK NUMUNEDEN
 KONTROL EDİLMELİDİR.

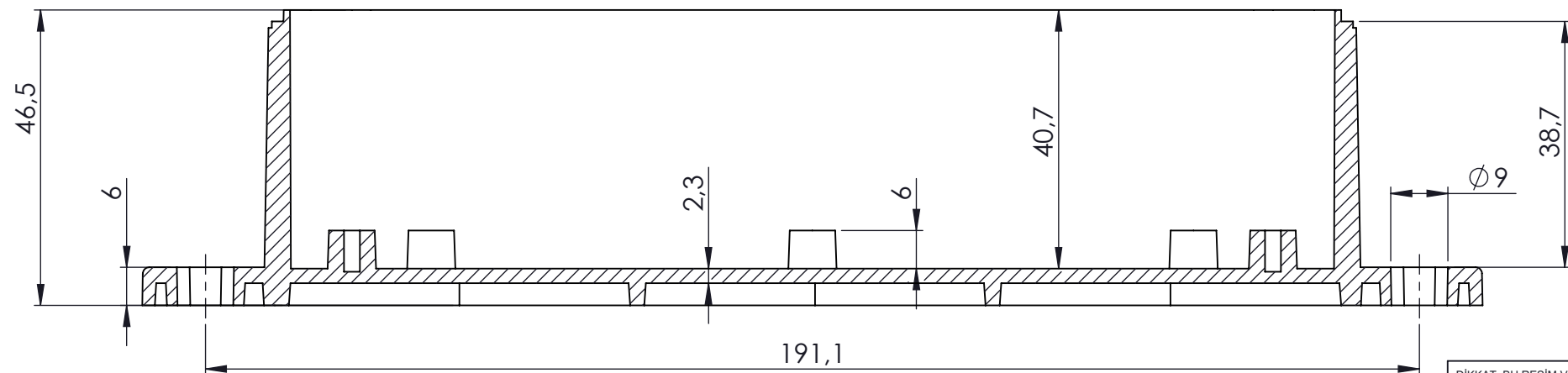
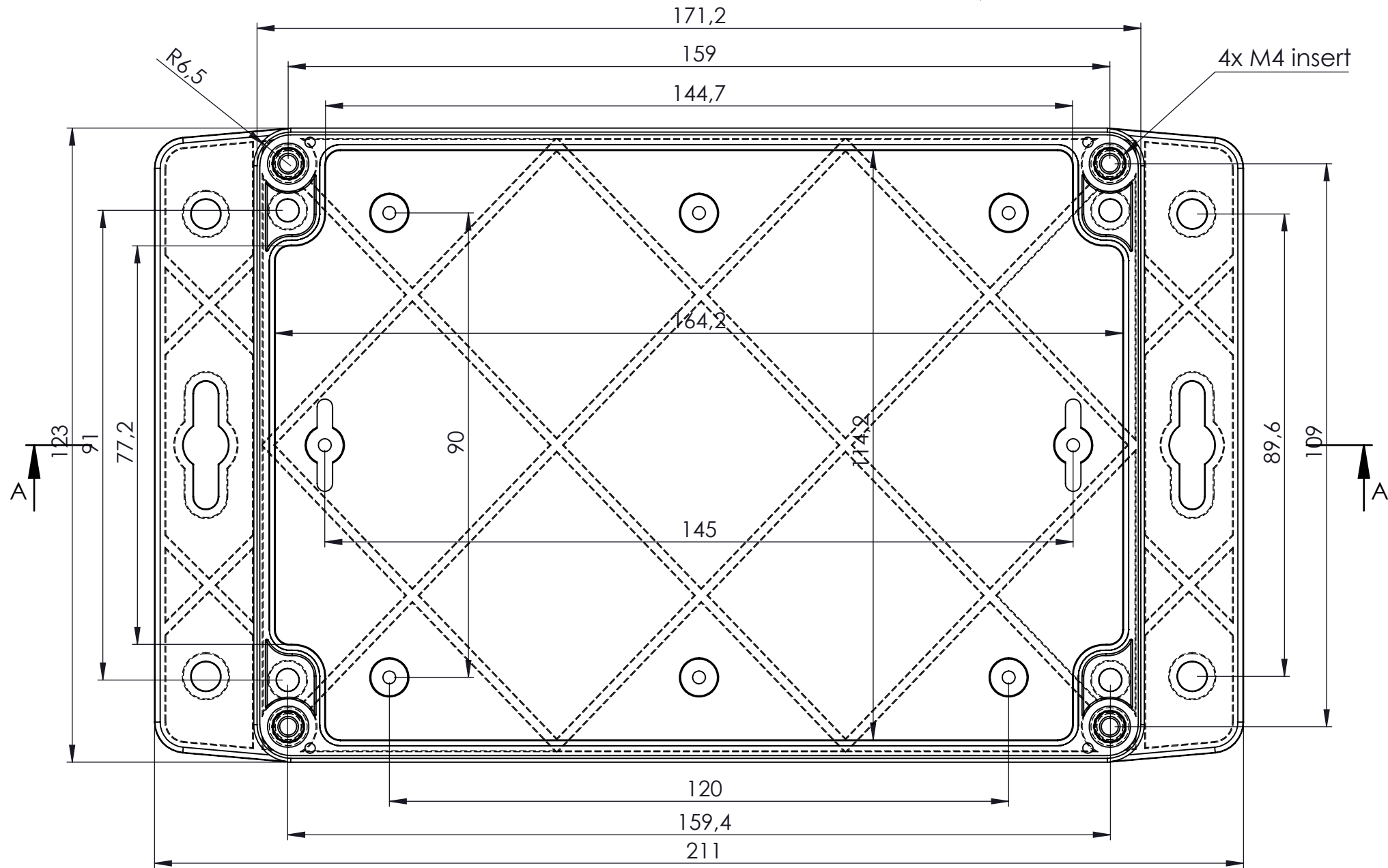
Ø9



KESİT A-A


DİKKAT: BU RESİM VE ÜRÜN ÖNCEDEN HABER VERİLMEKSİZİN DEĞİŞTİREBİLİR. RESİM ÇİZİLİRKEN HATASIZ OLMASINA ÇALIŞILMASINA RAĞMEN RESİMDEKİ HATALARDAN DOLAYI OLUŞABİLECEK ZARARLAR İÇİN ALTINKAYA HiÇ BİR SORUMLULUK KABUL ETMEZ. BÜTÜN ÖLÇÜLER KULLANILMADAN ÖNCE ÜRETİLMİŞ GERÇEK NUMUNEDEN KONTROL EDİLMELİDİR.

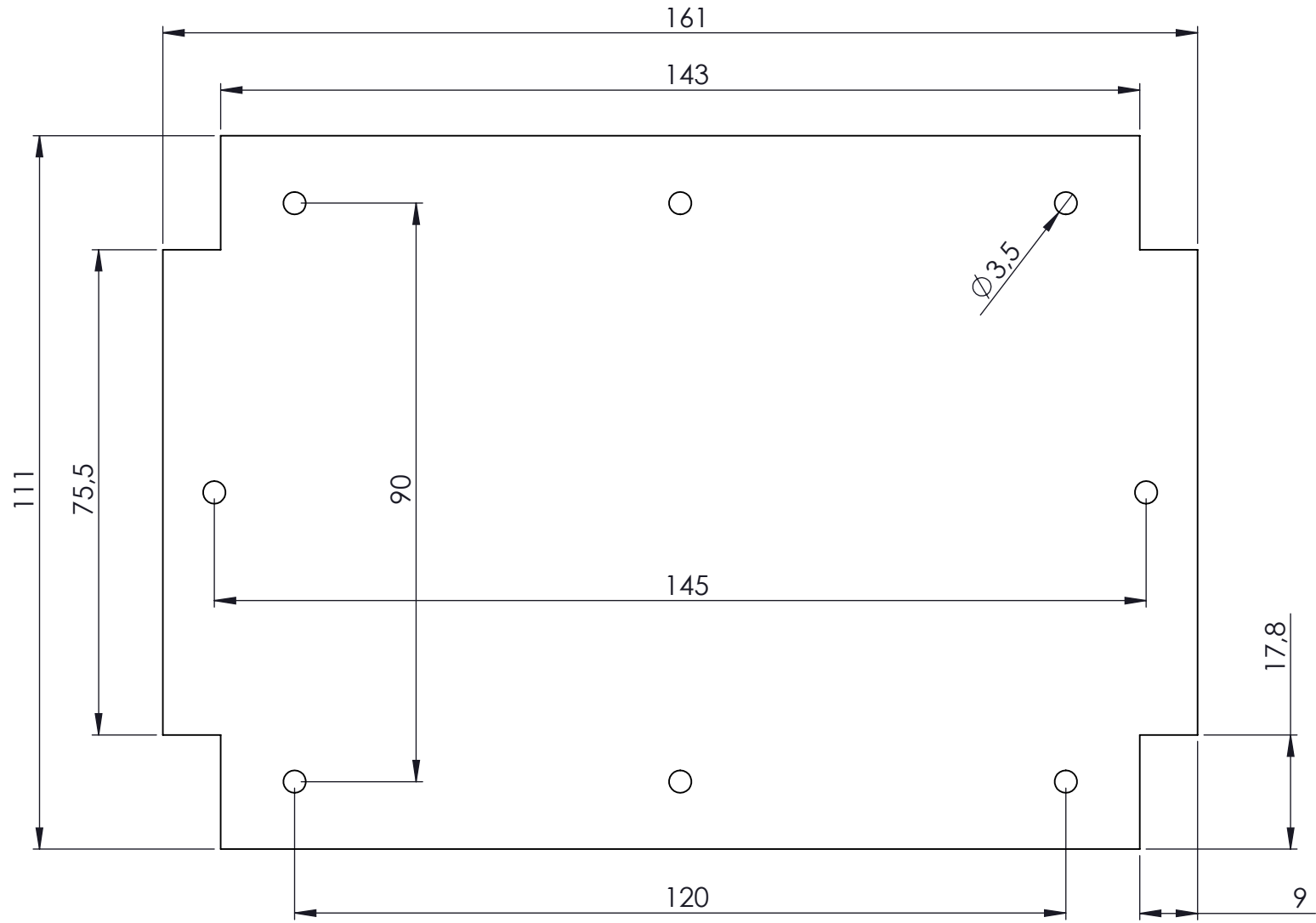
| | | | | |
|---|-----------------|----------|---|--------------|
| <small>PROPRIETARY AND CONFIDENTIAL. THE INFORMATION CONTAINED IN THIS DRAWING IS THE SOLE PROPERTY OF ALTINKAYA ENCLOSURES. ANY REPRODUCTION IN PART OR AS A WHOLE WITHOUT THE WRITTEN PERMISSION OF ALTINKAYA ENCLOSURES IS PROHIBITED.</small> | | | ARTICLE NO: | REVISION: |
| <small>ALTINKAYA ENCLOSURES FOR ELECTRONICS</small> | | | CONTACT: www.altinkaya.com.tr | |
| DRAWN | NAME | DATE | TITLE: | |
| | Hayri BAL | 18.11.19 | SE-238 KAPAK | |
| CHECKED | Dursun Daşdemir | 18.11.19 | | |
| <small>COMMENTS: This drawing is subject to technical modification without prior notice. Typographical and other errors do not justify any claims for damages. All dimensions should be verified using an actual produced part.</small> | | | DWG NO. SE-238-P-1 | |
| MATERIAL: | | | A3 | |
| WEIGHT: | | | SCALE:1:1 | SHEET 1 OF 1 |



KESIT A-A

DİKKAT: BU RESİM VE ÜRÜN ÖNCEDEN HABER VERİLMEKSİZİN DEĞİŞTİRİLEBİLİR. RESİM ÇİZİLİRKEN HATASIZ OLMASINA ÇALIŞILMASINA RAĞMEN RESİMDE HATALAR BULUNABİLİR. RESİMDEKİ HATALARDAN DOLAYI OLUŞABİLECEK ZARARLAR İÇİN ALTINKAYA HiÇ BİR SORUMLULUK KABUL ETMEZ. BÜTÜN ÖLÇÜLER KULLANILMADAN ÖNCE ÜRETİLMİŞ GERÇEK NUMUNEDEN KONTROL EDİLMELİDİR.

| | | | | |
|---|--|--|--|--------------|
| PROPRIETARY AND CONFIDENTIAL THE INFORMATION CONTAINED IN THIS DRAWING IS THE SOLE PROPERTY OF ALTINKAYA ENCLOSURES. ANY REPRODUCTION IN PART OR AS A WHOLE WITHOUT THE WRITTEN PERMISSION OF ALTINKAYA ENCLOSURES IS PROHIBITED. | | | ARTICLE NO: | REVISION: |
| DRAWN Hayri BAL 17.12.19 CHECKED Dursun Dağdemir 17.12.19 | | |  CONTACT: www.altinkaya.com.tr | TITLE: |
| COMMENTS: This drawing is subject to technical modification without prior notice. Typographical and other errors do not justify any claims for damages. All dimensions should be verified using an actual produced part. | | | SF-236 GÖVDE | |
| MATERIAL: | | | DWG NO: | A3 |
| WEIGHT: | | | SCALE:1:1 | SHEET 1 OF 1 |



PROPRIETARY AND CONFIDENTIAL
THE INFORMATION CONTAINED IN THIS
DRAWING IS THE SOLE PROPERTY OF
ALTINKAYA ENCLOSURES. ANY
REPRODUCTION IN PART OR AS A WHOLE
WITHOUT THE WRITTEN PERMISSION OF
ALTINKAYA ENCLOSURES IS PROHIBITED.

ARTICLE NO:
 REVISION:
 CONTACT:
 www.altinkaya.com.tr

ALTINKAYA
ENCLOSURES FOR ELECTRONICS

| NAME | DATE |
|-------------------------|----------|
| DRAWN Hayri BAL | 17.12.19 |
| CHECKED Dursun Daşdemir | 17.12.19 |

COMMENTS: This drawing is subject to technical modification without prior notice. Typographical and other errors do not justify any claims for damages. All dimensions should be verified using an actual produced part.

TITLE: **SF-236**
Pcb Sample (not included)

MATERIAL:

DWG NO: **SF-236_pcb_sample** A3

WEIGHT:

SCALE:1:1 SHEET 1 OF 1

DİKKAT: BU RESİM VE ÜRÜN ÖNCEDEN HABER VERİLMEKSİZİN DEĞİŞTİRİLEBİLİR. RESİM ÇİZİLİRKEN HATASIZ OLMASINA ÇALIŞILMASINA RAĞMEN RESİMDE HATALAR BULUNABİLİR. RESİMDEKİ HATALARDAN DOLAYI OLUŞABİLECEK ZARARLAR İÇİN ALTINKAYA HIÇ BİR SORUMLULUK KABUL ETMEZ. BÜTÜN ÖLÇÜLER KULLANILMADAN ÖNCE ÜRETİLMİŞ GERÇEK NUMUNEDEN KONTROL EDİLMELİDİR.