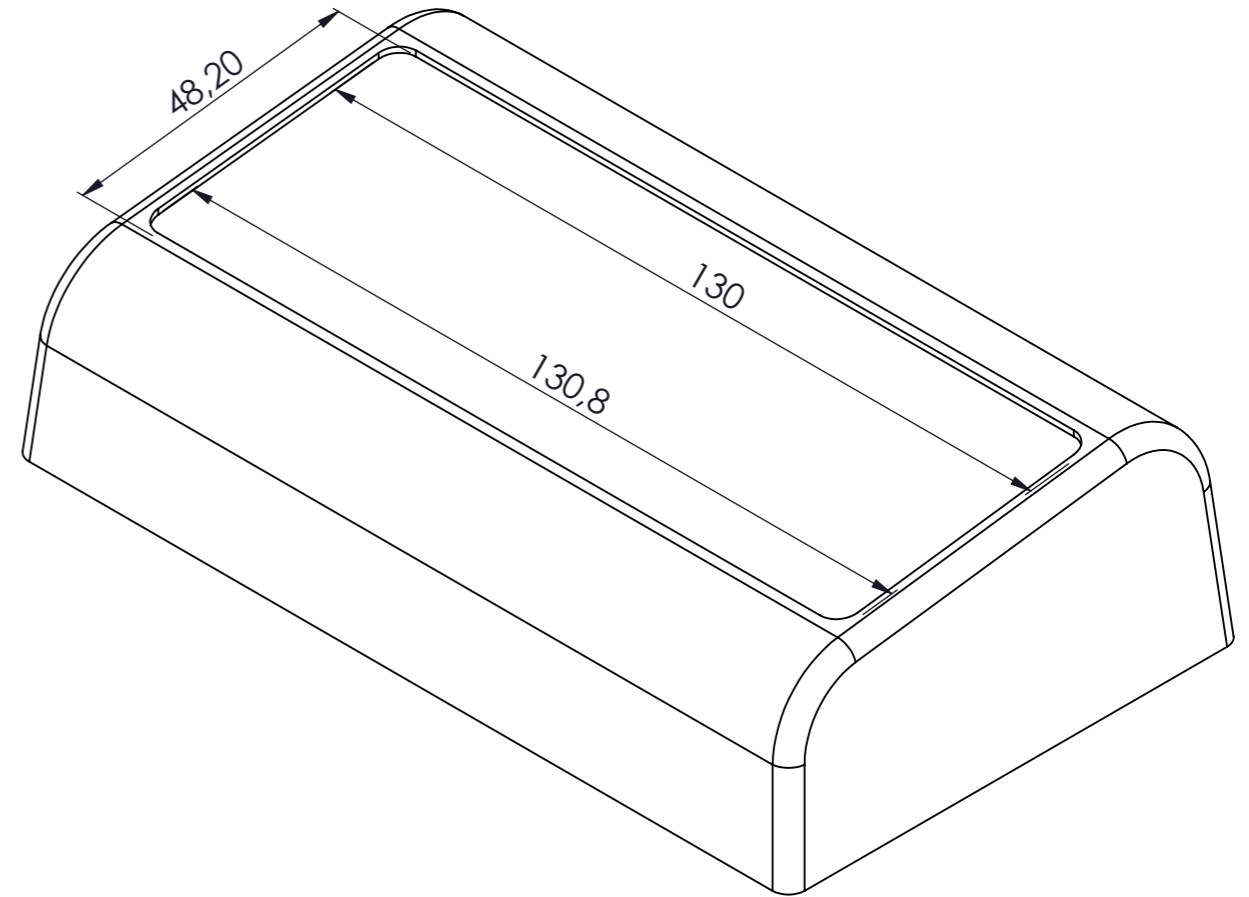
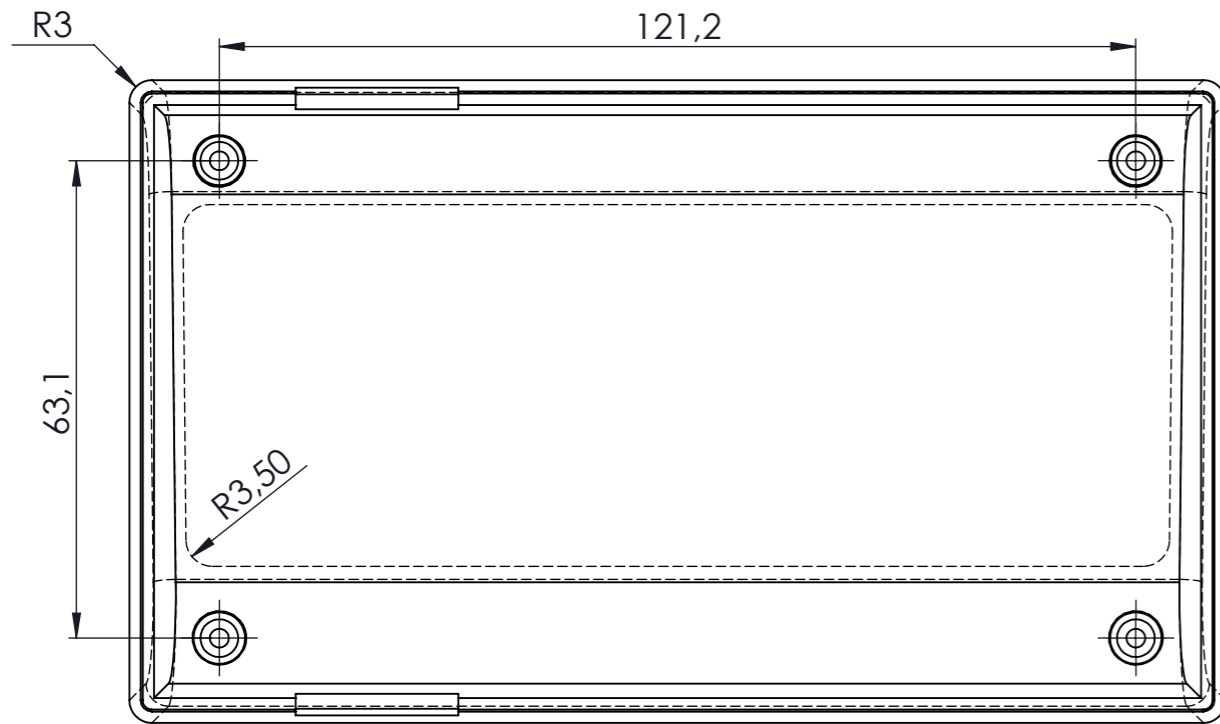

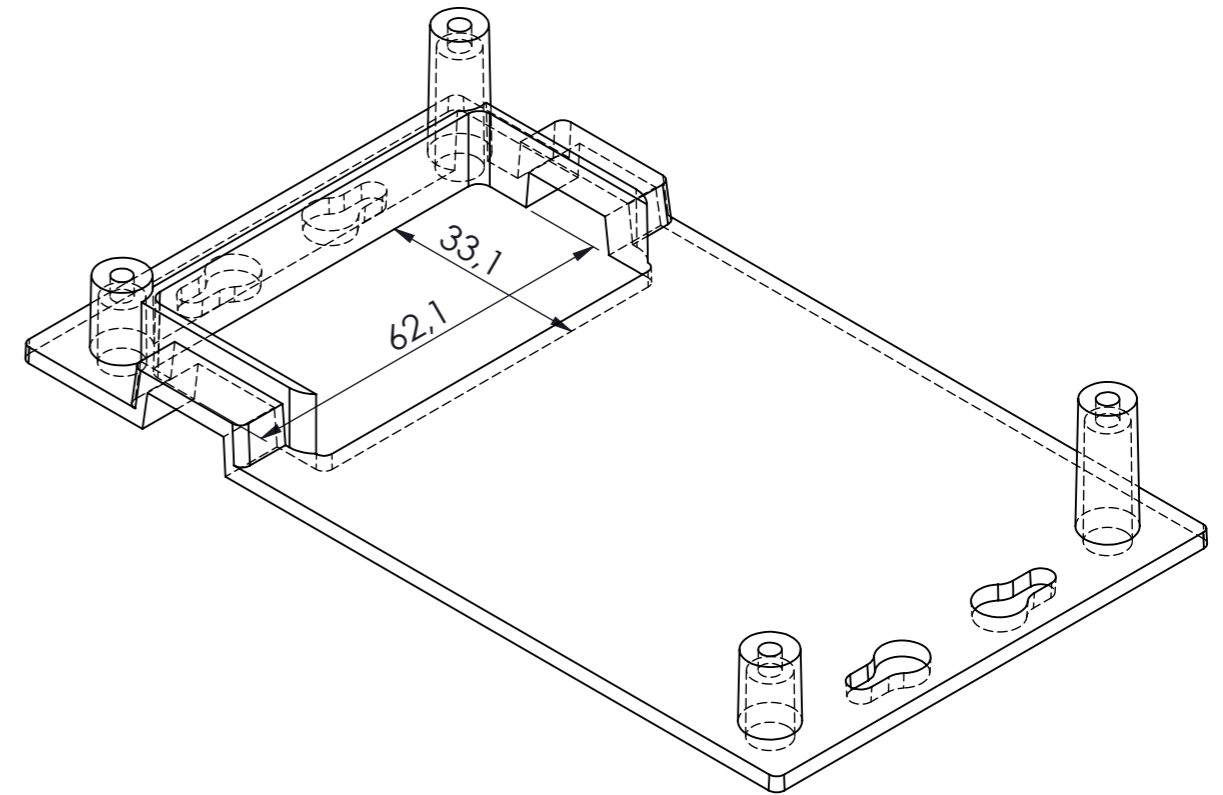
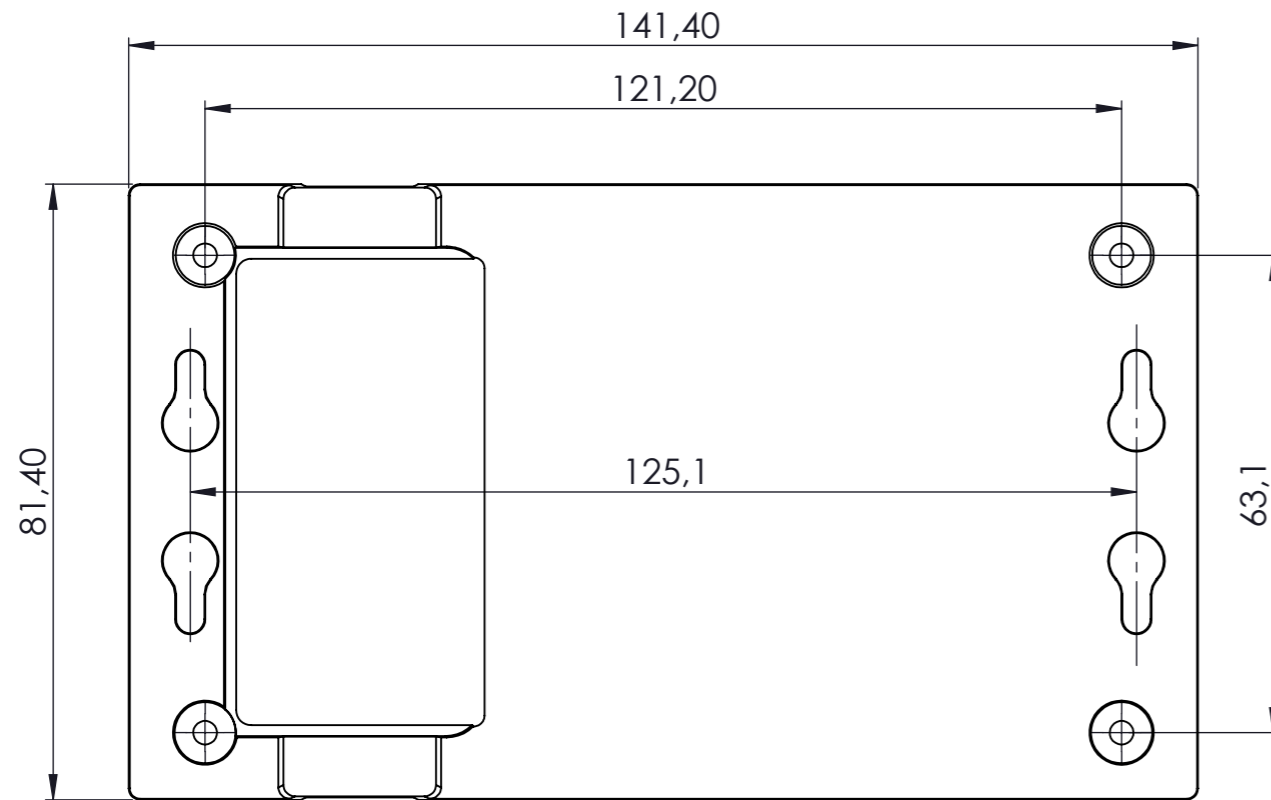
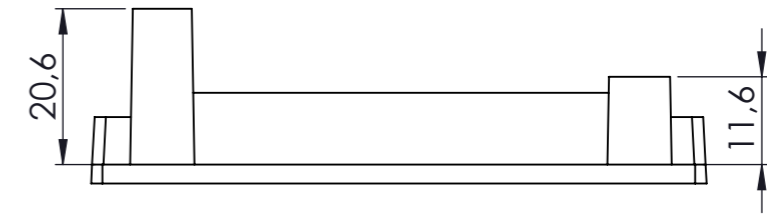
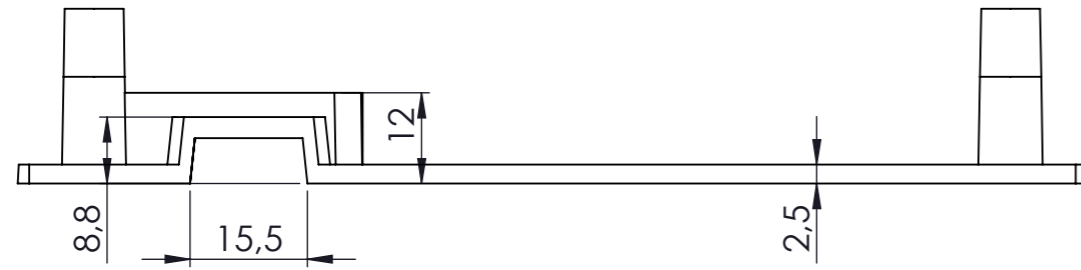




KESIT A-A



<small>PROPRIETARY AND CONFIDENTIAL THE INFORMATION CONTAINED IN THIS DRAWING IS THE SOLE PROPERTY OF ALTINKAYA ENCLOSURES. ANY REPRODUCTION IN PART OR AS A WHOLE WITHOUT THE WRITTEN PERMISSION OF ALTINKAYA ENCLOSURES IS PROHIBITED.</small>			ARTICLE NO.:	REVISION:
<small>DRAWN</small> Dursun Daşdemir 07.05.11 <small>CHECKED</small> Ali Altınışık 07.05.11 <small>COMMENTS:</small> <small>MATERIAL:</small> <small>WEIGHT:</small>			 ALTINKAYA <small>ENCLOSURES FOR ELECTRONICS</small>	<small>CONTACT:</small> www.altinkaya.com.tr
			<small>TITLE:</small> <h2 style="text-align: center;">Duvar Tipi Kutu Cover</h2>	
			<small>DWG NO.</small> <h2 style="text-align: center;">DM-080-P-1</h2>	<small>SHEET</small> <h2 style="text-align: center;">A3</h2>
			<small>SCALE:</small> 1:1	<small>SHEET OF</small>



<small>PROPRIETARY AND CONFIDENTIAL THE INFORMATION CONTAINED IN THIS DRAWING IS THE SOLE PROPERTY OF ALTINKAYA ENCLOSURES. ANY REPRODUCTION IN PART OR AS A WHOLE WITHOUT THE WRITTEN PERMISSION OF ALTINKAYA ENCLOSURES IS PROHIBITED.</small>			ARTICLE NO:	REVISION:
<small>DRAWN</small> Dursun Daşdemir 07.05.11 <small>CHECKED</small> Ali Altınışık 07.05.11 <small>COMMENTS:</small> <small>MATERIAL:</small> <small>WEIGHT:</small>				<small>CONTACT:</small> www.altinkaya.com.tr
			<small>TITLE:</small> <h2 style="text-align: center;">Duvar Tipi Kutu Base</h2>	
			<small>DWG NO.</small> <h2 style="text-align: center;">DM-080-P-2</h2>	<small>A3</small> 
			<small>SCALE:</small> 1:1	<small>SHEET OF</small>