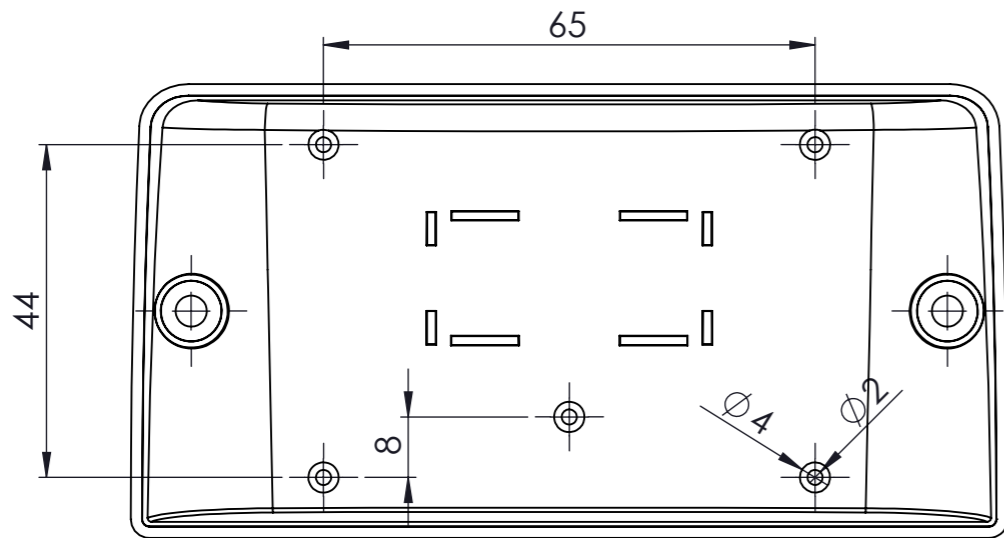
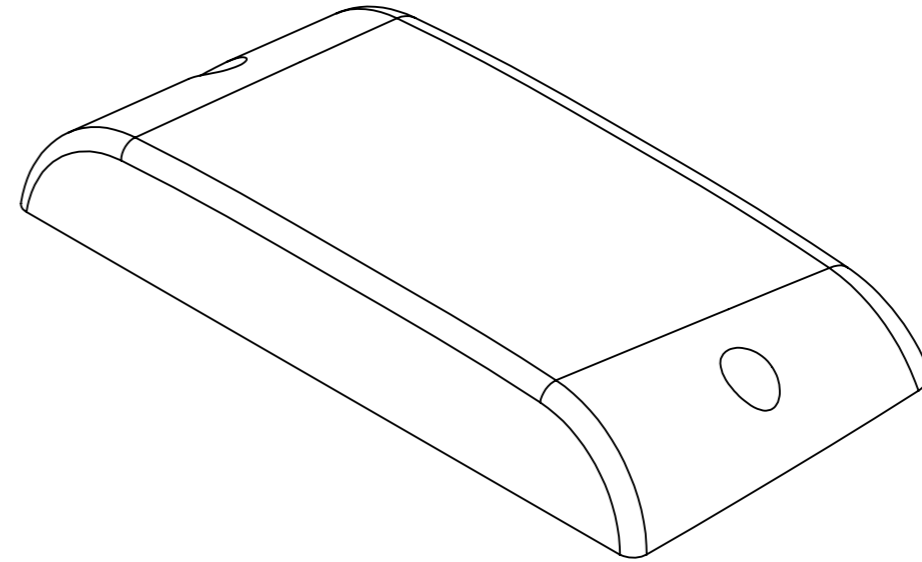
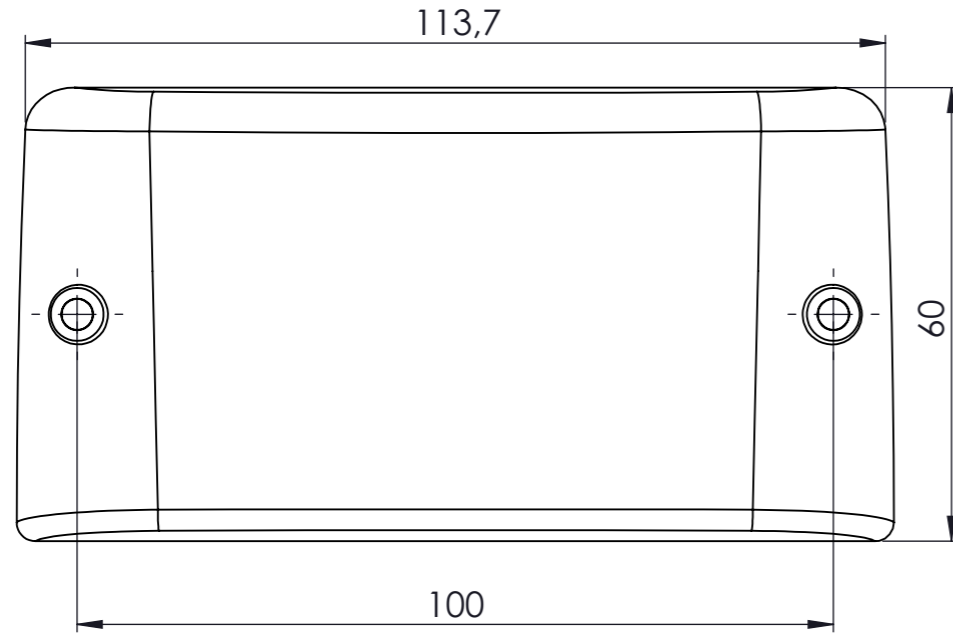


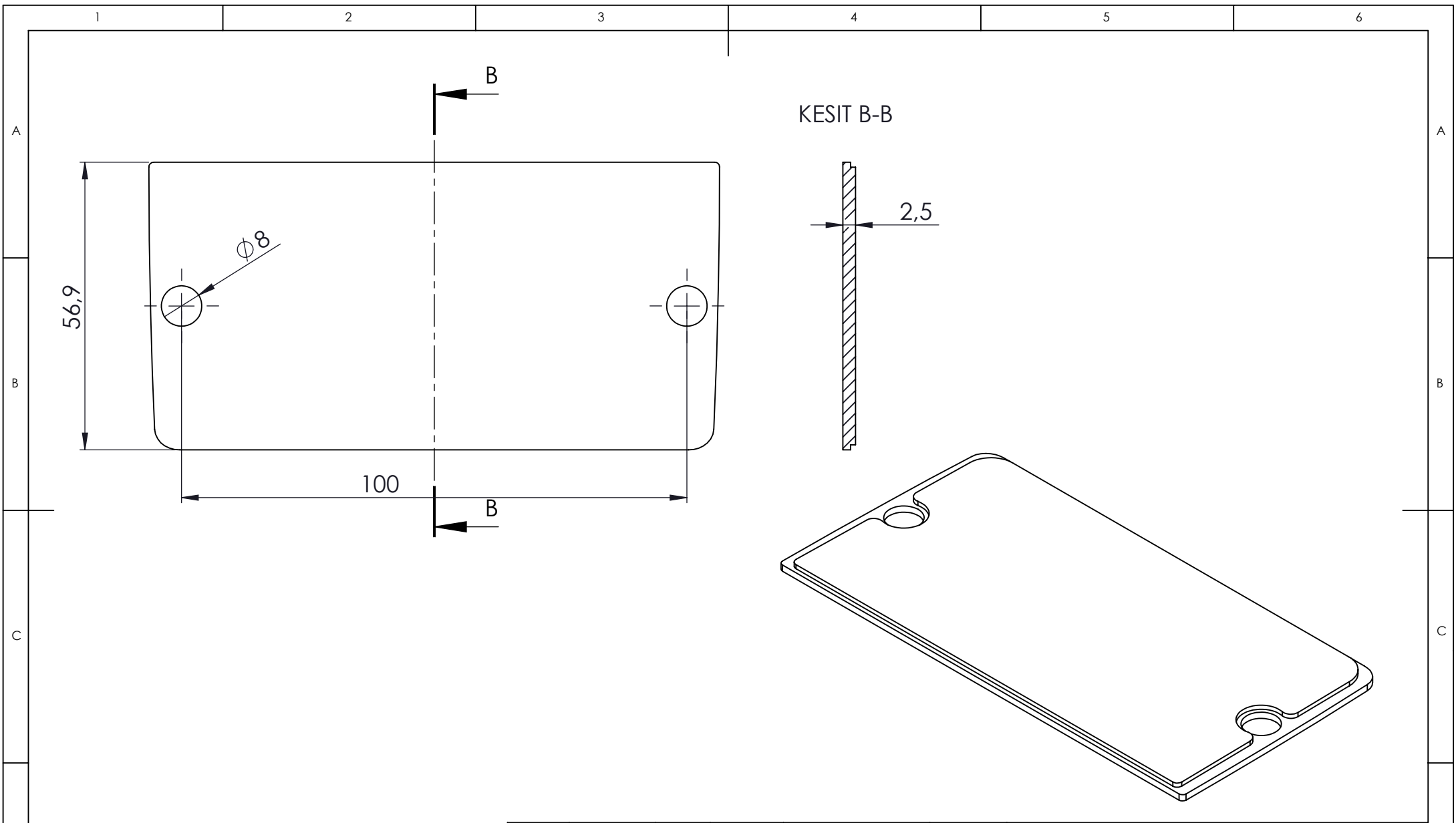



KESIT A-A



<small>PROPRIETARY AND CONFIDENTIAL THE INFORMATION CONTAINED IN THIS DRAWING IS THE SOLE PROPERTY OF ALTINKAYA ENCLOSURES. ANY REPRODUCTION IN PART OR AS A WHOLE WITHOUT THE WRITTEN PERMISSION OF ALTINKAYA ENCLOSURES IS PROHIBITED.</small>		ARTICLE NO.:	REVISION:
<small>DRAWN</small> Dursun Daşdemir		 <small>ENCLOSURES FOR ELECTRONICS</small>	<small>CONTACT:</small> www.altinkaya.com.tr
<small>CHECKED</small> Ali Altınışık		<small>TITLE:</small> <h2 style="text-align: center;">Üst Kapak</h2>	
<small>COMMENTS:</small>		<small>DWG NO.</small> <h1 style="text-align: center;">DM-040-P-1</h1>	<small>A3</small>
<small>MATERIAL:</small>		<small>SCALE:</small> 1:1	<small>SHEET OF</small>
<small>WEIGHT:</small>			



	NAME	DATE	ARTICLE NO:	REVISION:	TITLE:
DRAWN	Dursun Dağdemir				Taban
CHECKED	Ali Altınışık		COMMENTS: DIMENSIONS ARE IN MILLIMETERS, DEBUR AND BREAK SHARP EDGES		
 ALTINKAYA ENCLOSURES FOR ELECTRONICS www.altinkaya.com.tr			DWG NO.		DM-040-P-2
PROPRIETARY AND CONFIDENTIAL THE INFORMATION CONTAINED IN THIS DRAWING IS THE SOLE PROPERTY OF ALTINKAYA ENCLOSURES. ANY REPRODUCTION IN PART OR AS A WHOLE WITHOUT THE WRITTEN PERMISSION OF ALTINKAYA ENCLOSURES IS PROHIBITED.			MATERIAL:		A4
			WEIGHT:		SCALE:1:1
			SHEET OF		